

# Datasheet

## AC/AC Isolation Transformers w/ DIN Clip

# RS Pro

Series of molded 1-phase EI transformers with screw connectors and 35 mm DIN rail (TS35) mount designed according to the following specifications.

- High quality safety and isolating transformers for use in general applications
- Encapsulated in resin
- Detailed product specification on permanent label
- High efficiency, low regulation design
- 100% electrical and flash tested
- Fused input and output
- Galvanic separation
- For permanent fixation at DIN rail



### Specifications

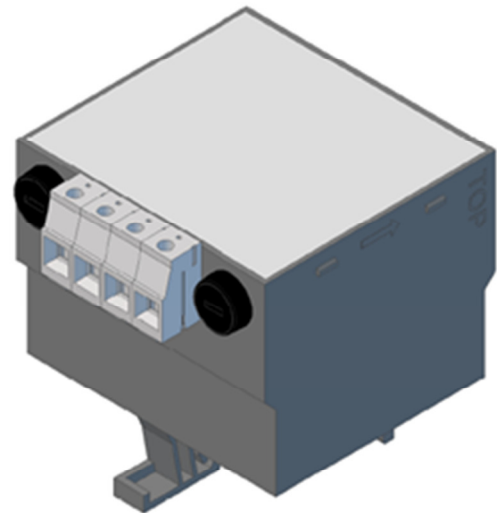
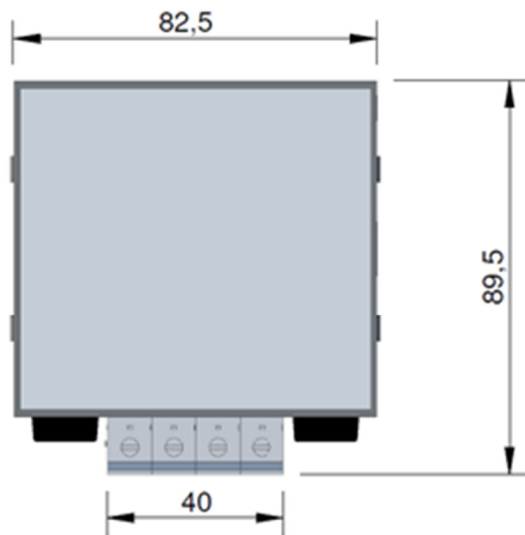
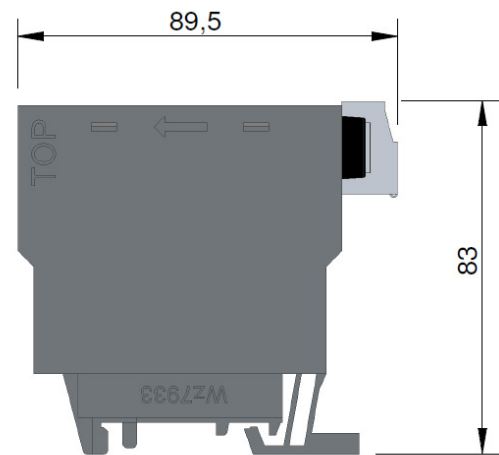
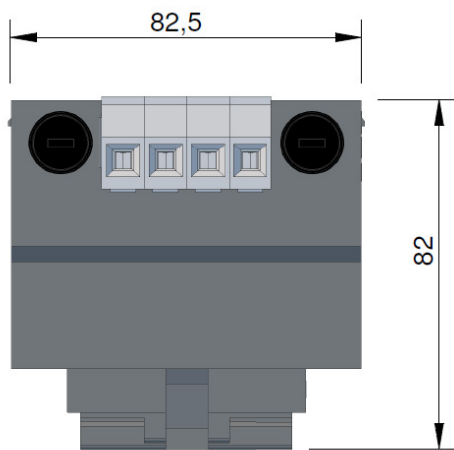
Power:	Nominal 72 VA – short term 100 VA.
Frequency:	50 / 60 Hz
Primary:	See specification
Secondary:	See specification
Construction:	Encapsulated in plastic box with DIN clip
Isolation:	4 kV RMS (4.6kV for 400V)
Temp. Class:	max. ta = 40°C / insulation class B (130°)
According to:	EN61558-1, EN61558-2-6



### Order Details:

RS Stock number	Power VA	Specification	No-load voltage	According to
7975945	72	AC/AC Isolation Transformer, 12V	13.4	EN61558-2-6
7975948	72	AC/AC Isolation Transformer, 24V	26.5	EN61558-2-6
7975942	72	AC/AC Isolation Transformer, 24V	26.5	EN61558-2-6
7975936	72	AC/AC Isolation Transformer, 24V	26.5	EN61558-2-6

Dimensions (mm):



\*Note: The DIN plastic clip is not designed for multiple clip-on and clip-off purposes.