



Latching systems

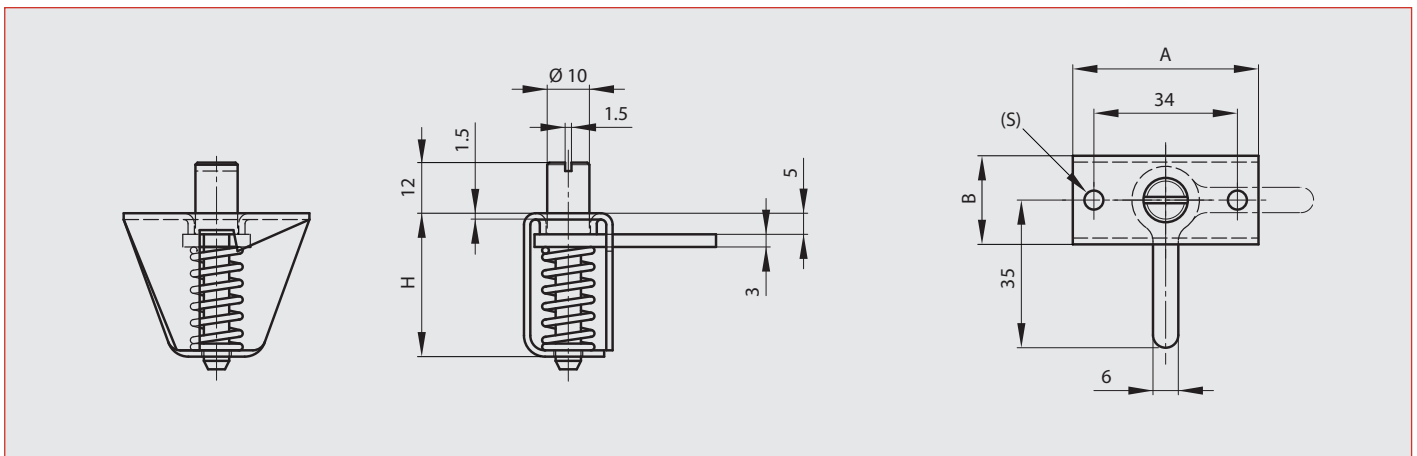
Locks

Latch

Stainless steel spring.



Part number	Material	Finish	A	B	H	S	Weight (g)
16-1-3266	steel	zinc plated	44	21	38	4.5	59



Lockable flush pop-out T-handle

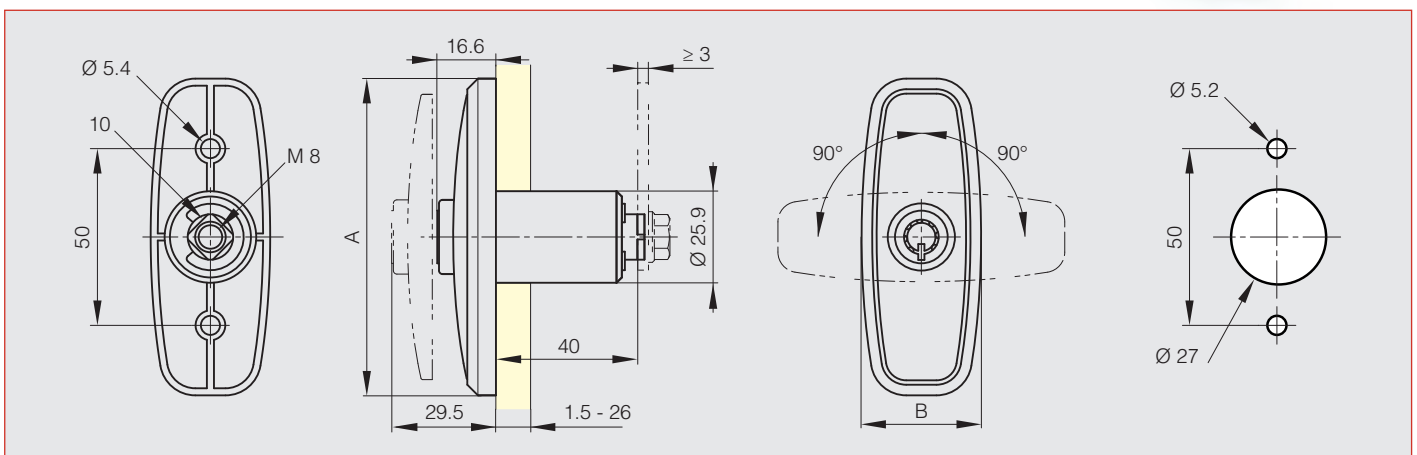
2 keys included, no cam.

Flush T-handle. When the cylinder is opened, the handle pops out and can be turned.

A full product data sheet is available on our website.



Part number	Material	Finish	A	B	Weight (g)
16-7-4071	zinc die-cast	chrome plated	89.6	33.8	248





Latching systems

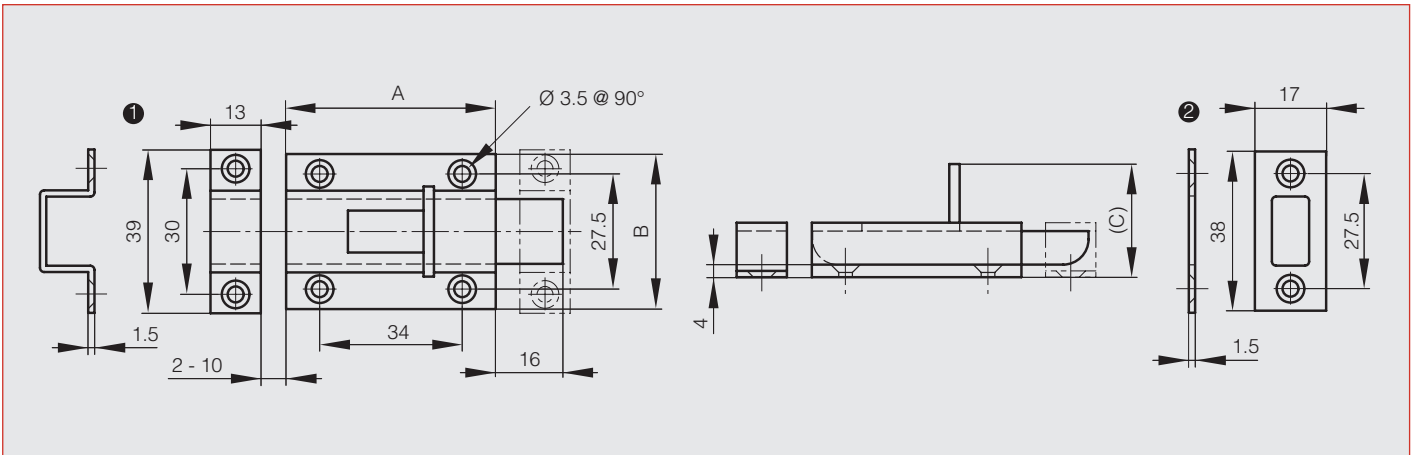
Locks

Barrel bolt in stainless steel

Can be fixed in vertical or horizontal position (stop when locked).
Supplied with 2 different strikes (see drawing).



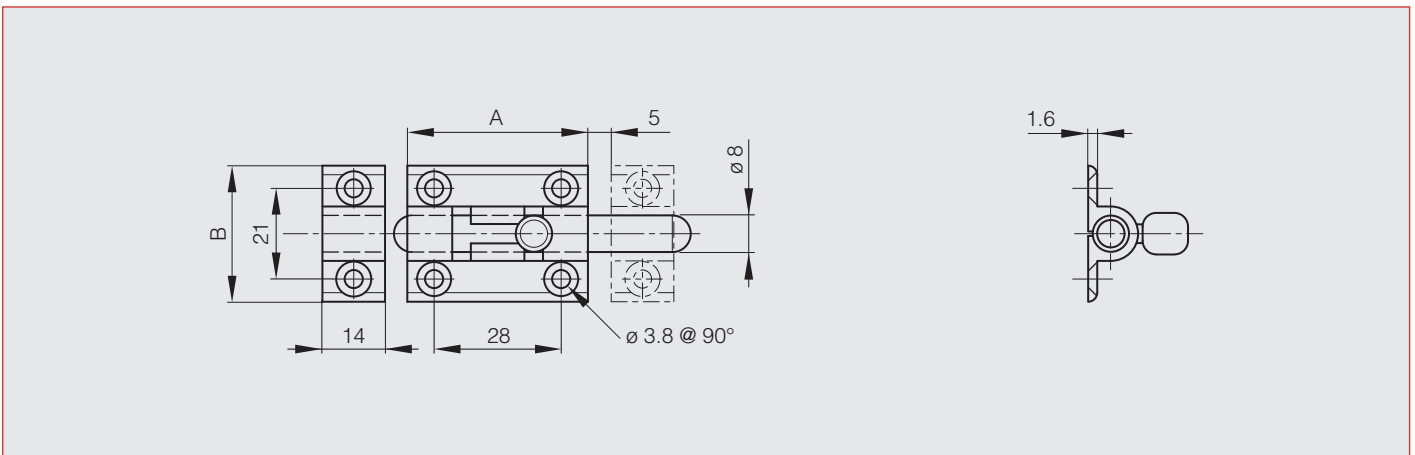
Part number	Material	Finish	A	B	C	Weight (g)
16-7-3863	304 stainless steel	satin	50	37	27	80



Barrel bolt in brass



Part number	Material	Finish	A	B	Weight (g)
16-7-3680	brass	polished	40	30	66
16-7-3681	brass	chrome plated	40	30	66





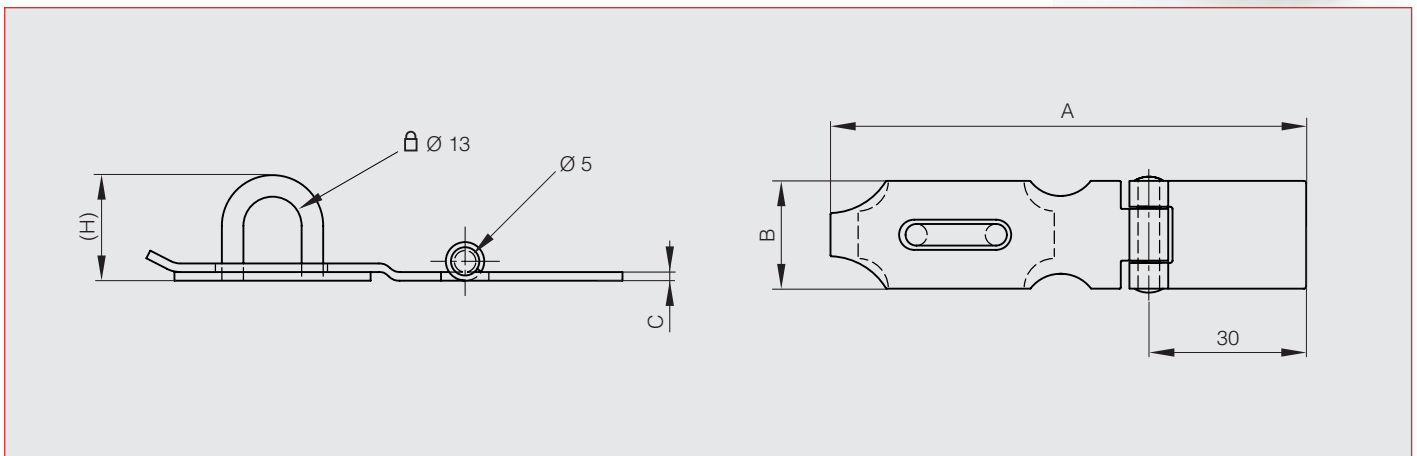
Latching systems

Locks

Steel hasp

Delivered with catch plate.

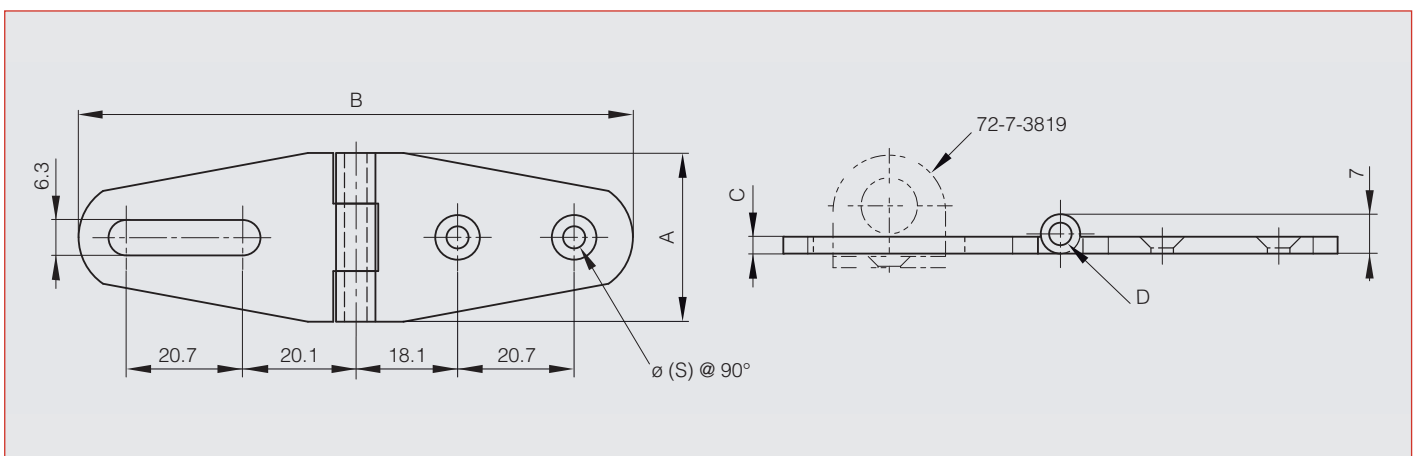
Part number	Material	Finish	A	B	C	H	Weight (g)
16-7-3398	steel	raw	105.5	25	2	20	61



Chrome plated brass hasp

304 stainless steel pin.
Same shape available for hinge 72-7-3725.

Part number	Material	Finish	A	B	C	D	S	Weight (g)
72-7-3726	brass	chrome plated	30	98.5	3	4	4	55



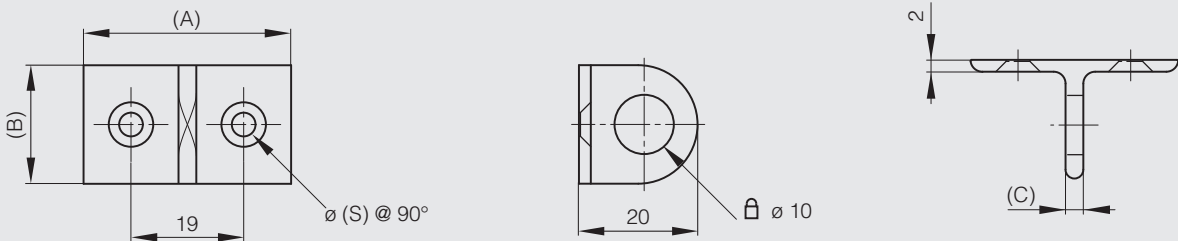


Latching systems

Locks

Catch plate for part number 72-7-3726

Part number	Material	Finish	A	B	C	S	Weight (g)
72-7-3819	brass	chrome plated	35	20	3	4	16



Cylinder lock

Quarter-turn cylinder lock for maximum door thickness of 40mm. Supplied with 2 keys. Not handed. Cam to be ordered separately.

Part number	Material	Finish	H	Weight (g)
16-7-4063	zinc die-cast	chrome plated	56.5	138

