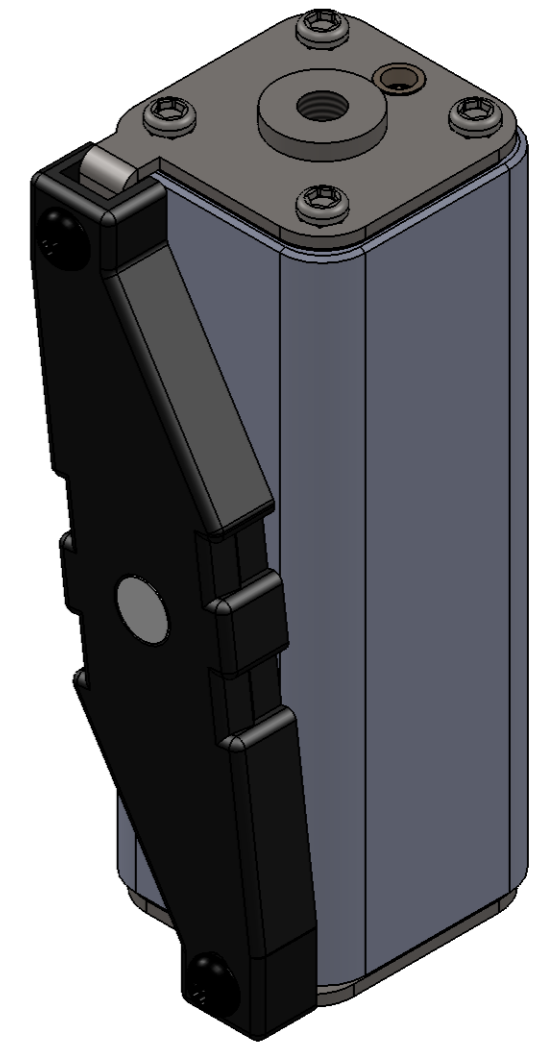
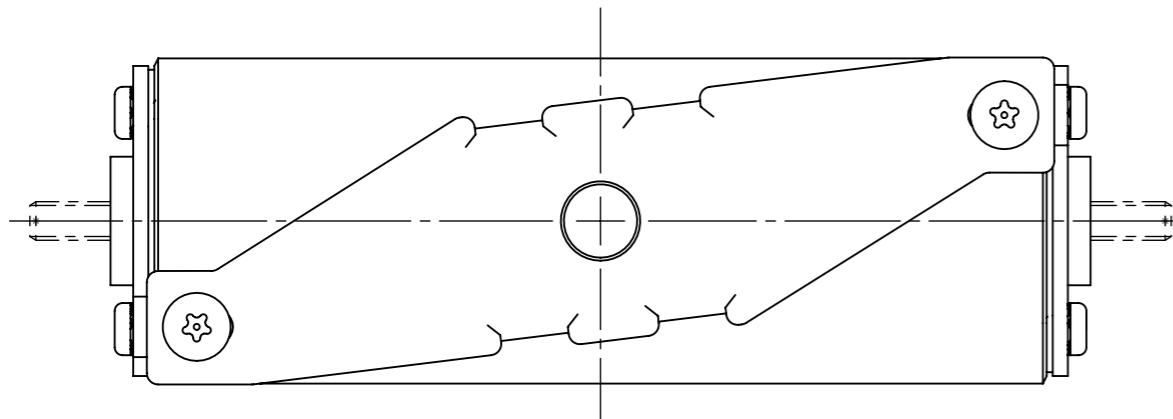
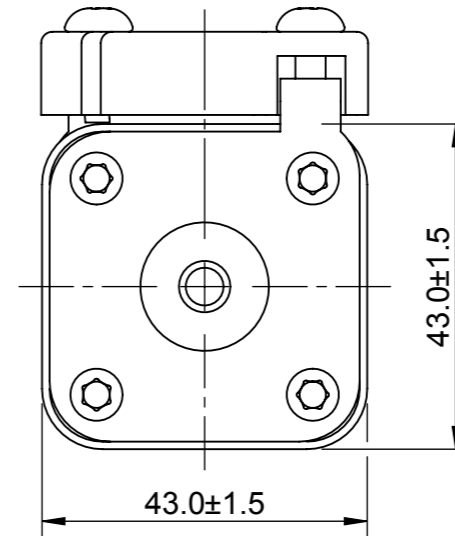
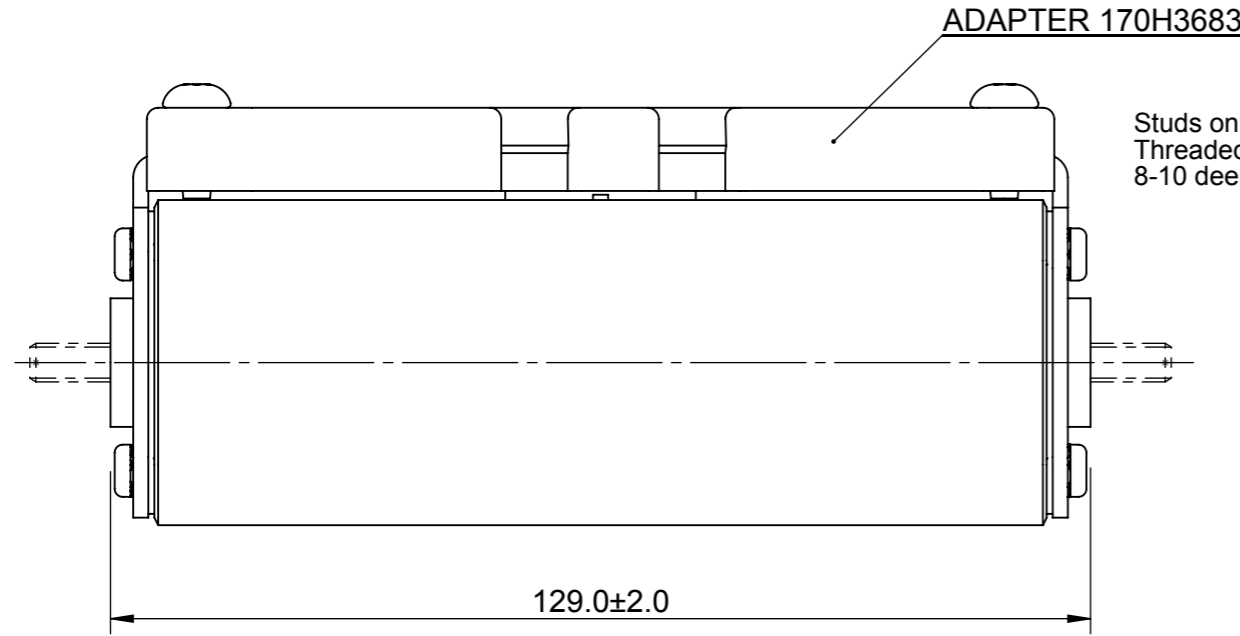


REVISION

REV	DESCRIPTION	BY	DATE	CHANGE NO.
B	STANDARDIZATION OF HSF OUTLINE DRAWINGS WITH PLATTED APPEARANCE	RAG	16/12/2013	BUEI3433



MODEL VERSION: 01 MODEL SOURCE FILE: U0514	MATERIAL: VARIOUS	<small>UNLESS OTHERWISE SPECIFIED, ALL DIMENSIONS ARE IN MILLIMETERS.</small> TOLERANCES UNLESS OTHERWISE SPECIFIED: GENERAL ± 0.2mm ANGULAR ± 1°	COOPER Bussmann (UK) Ltd Burton-on-the-Wolds, Leics, LE12 5TH Tel +44 1509 882 600 Fax +44 1509 882786 COOPER Bussmann (Denmark) Lillerbuen 5, DK 2740 Skovlunde Tel +45 4485 0919 Fax +45 4485 0906			
	FINISH: NONE		UNCONTROLLED COPY	COOPER Bussmann TITLE: UNIT 1*BK/130-A C-610 FUSES SIZE 1* TYPE B INDICATOR TYPE K		
	SURFACE AREA: VARIOUSmm²	THIS DRAWING IS CONFIDENTIAL AND THE COPYRIGHT OF COOPER BUSSMANN AND MUST NOT BE COPIED OR PASSED ON TO A THIRD PARTY WITHOUT WRITTEN CONSENT	DWG NO: 170X0520		ANGLE: FIRST	REV: B
	VOLUME: 148998.91mm³		DRAWN BY: KVS	CHECKED BY: JM	DATE: 29/06/09	SCALE: NTS
MASS: 373.57g					SHEET: 1 OF 1	