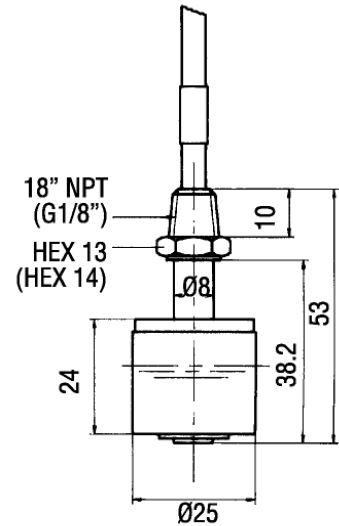


### LS-1700



Offer broad chemical compatibility for general purpose use. Also ideal for oils and water



**RS Part Number:** 395-7044  
**Gems Std P/No:** 011-1700

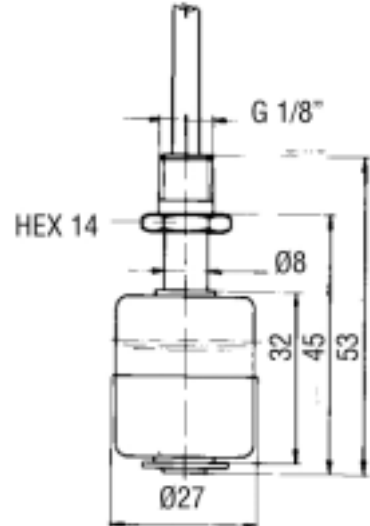
#### Specification

Material Stem:	Brass
Float:	Buna N
Operating Pressure:	10 Bar
Temperature:	-40 to (80°C water, 110°C oil)
Depth of immersion (SG1.0):	9mm
Min SG of Liquids:	0.45
Reed Switch:	SPST 50VA
Electrical:	Cable 1m 0.34mm <sup>2</sup> PVC
Mounting:	G1/8
IP Rating:	IP64
Weight:	30 grams

### LS-1750



Rugged construction suitable for most corrosive liquids, and for high temperatures and pressures



**RS Part Number:** 395-7066  
**Gems Std P/No:** 011-1750

#### Specification

Material Stem:	Stainless Steel
Float:	Stainless Steel
Operating Pressure:	20 Bar
Temperature:	-40 to 150°C
Depth of immersion (SG1.0):	21mm
Min SG of Liquids:	0.85
Reed Switch:	SPST 50VA
Electrical:	Cable 1m 0.34mm <sup>2</sup> PVC
Mounting:	G1/8
IP Rating:	IP64
Weight:	50 grams