

26" PRO CABINET 7 SOFT CLOSE DRAWERS RED



- 7 full width soft close drawers
- Each drawer has an individual opening mechanism secured with a combination lock
- Five 75mm deep drawers and two 150mm deep drawers for storing large items
- Each drawer is suitable for holding 4 TengTools TC1 modules plus a TengTools TCX4 module
- Supplied with an ABS top mat and EVA drawer mats in each drawer
- Drawers have ball bearing slides for a smoother and more reliable opening and closing action
- Use with the tool modules from the TT Series or FOAM Series in the TengTools Tool Control system to build your ultimate tool kit

Tool Box Roller Cabinet 7 Drawer 9 Series

General information

Country of origin: Taiwan
Barcode: 5020385213326
Tarriff code Europe: 9403208000
ECCN US: EAR99
ETIM: EC011808
UNSPSC: 24112401

Attributes

Product type: Mobile Tool Storage
Certificates: N/A
Colour: Red
Type of storage: Roller cabinet

Features



Dimensions

Net weight (g): 64800
Width (mm): 680
Depth (mm): 460
Height (mm): 813
Height with castors (mm): 960
Number of drawer: 7
Drawer capacity: 7 × 30 kg
Drawer depth: 7 × 380 mm
Drawer height: 5 × 75 mm, 2 × 154 mm
Drawer width: 7 × 575 mm

Technical changes and errors may occur. 01-08-2024 19:53

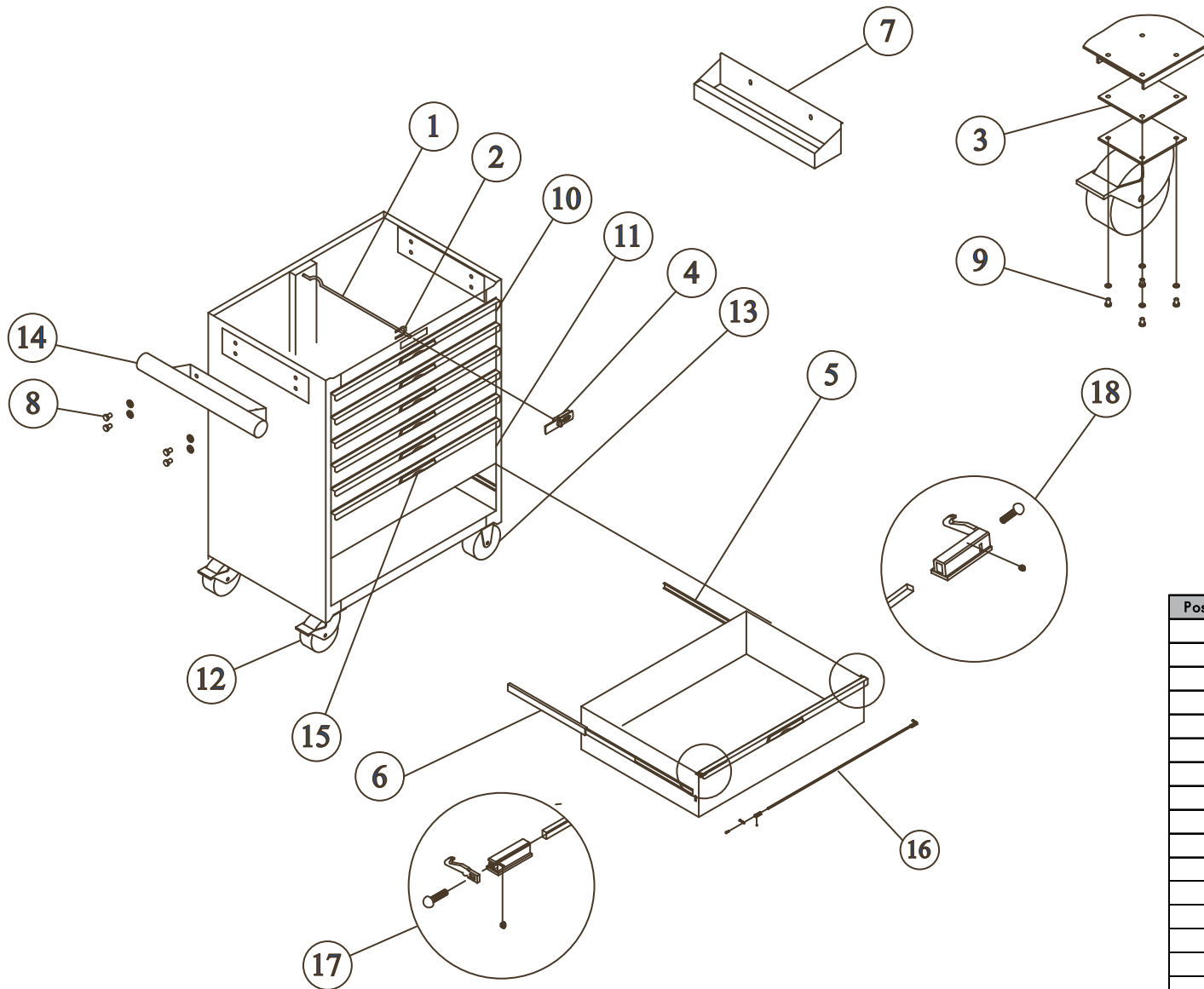


DESIGNED IN SWEDEN

TengTools is a Swedish company present in more than 30 markets worldwide, and offers hand tools in smart storage solutions for demanding professionals within the automotive, maintenance and engineering sectors, as well as motor sport enthusiasts who aspire to use the same tools as top mechanics across the globe.



Sandbergsvägen 3
 441 39 Alingsås, Sweden



Pos. No.	Parts	Sparepart no.
1	LOCKING BAR	TCW603-01
2	CAM FOR LOCK	TCW806N-02
3	PLASTIC PAD	TCW603-03
4	NUMBER LOCK	TC-180CLOCK
5	BG41622-400MM RIHGT SLIDE	TCW907X-05
6	BG41622-400MM LEFT SLIDE	TCW907X-06
7	SIDE TRAY (optional)	TCW603-07
8	PARTS FOR SIDE TRAY	TCW603-08
9	PARTS FOR CASTER	TCW603-09
10	576x380x75mm DRAWER	TCW907X-10
11	576x380x154mm DRAWER	TCW907X-11
12	5" SEIVEL CASTER 1PC	TCW807N-12
13	5" FIXED CASTER 1PC	TCW807N-13
14	RUBBER FOAM HANDLE	TCRFH
15	PLASTIC COVER FOR DRAWER HANDLE	TCW803N-12
16	CONTROL BAR	TCW907X-16
17	HOOK AND PART FOR CONTORL BAR(LEFT)	TCW907X-17
18	HOOK AND PART FOR CONTORL BAR(RIGHT)	TCW907X-18