



Brand of NTN Group

Technical data

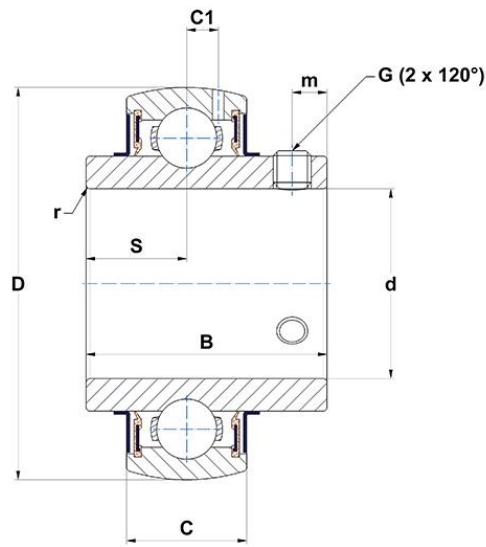
MUC206FD

Insert bearings



Stainless steel insert, spherical outer diameter with locking pin, fixing by socket set screw, seal with slinger, food grease

VISUAL (S)



PRODUCT DEFINITION

Brand	SNR
B - Width of Inner Ring	38,1 mm
C - Width of Outer Ring	19 mm
C1 - Distance center of OR to center of lubrication zone	5,1 mm
d - Shaft diameter	30 mm
D - Outer diameter of OR	62 mm
G - Set screw size	M6x1
m - Distance to set screw	5 mm



NTN Europe

1 rue des Usines · BP 2017 · 74010 Annecy Cedex · France · Tel. +33 (0)4 50 65 30 00
S.A. au capital de 322 639 919 € · RCS ANNECY B 325 821 072 · Id. Fiscale : FR 48 325 821 072
SIRET 325 821 072 00015 · Code APE 2815 Z · Code NACE 28.15

PRODUCT DEFINITION

r - Radius Inner Ring	1.5
S - Distance front side/bearing centre	15,9 mm
f0 - Factor	13.7
SW - Wrench size	3 mm

PRODUCT PERFORMANCE

C - Dynamic load rating	16700000 mN
C0 - Static load rating	9000000 mN
Operating temperature min.	253,15 °K
Operating temperature max.	373,15 °K

OTHER FEATURES

Mass	0,31 kg
Recommended tightening torque for set screw	3.9 N-m

BEARING FREQUENCIES

BPFO - Over rolling frequency on outer ring (60 rpm)	3.57822580645161 Hz
BPMF - Over rolling frequency on inner (60 rpm)	5.42177419354839 Hz
BSF - Over rolling frequency on rolling element (60 rpm)	4.67705105410211 Hz
BRF - Rotational frequency - rolling element (60 rpm)	2.33852552705106 Hz
FTF - Rotational frequency - cage (60 rpm)	0.39758064516129 Hz

