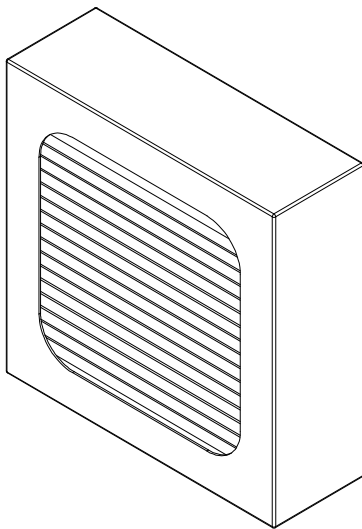




HEPA FILTER

Technical Specification

HEPA/CARBON REPLACEABLE FILTER



SPECIFICATION

Construction	PET filtering media combined with carbon fiber with sponge gasket
Filter class	HEPA (H13)
Lifetime	max 1000 h (depends on worktype)
Dimensions	80 x 80 x 25 [mm]

