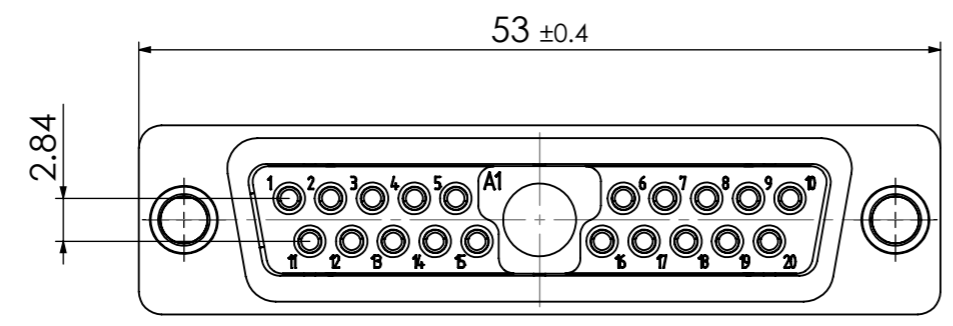
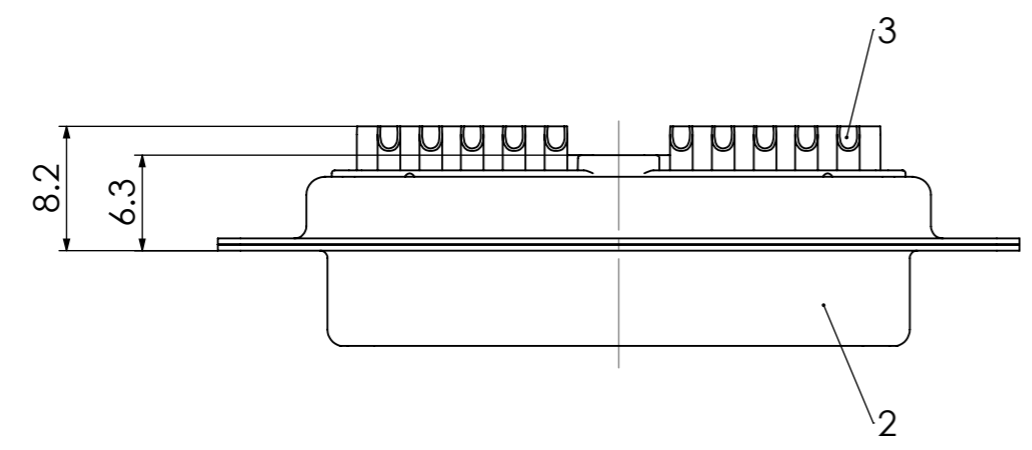
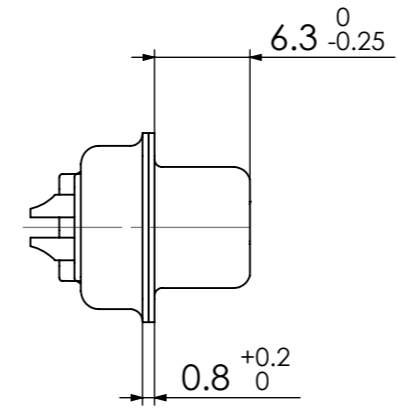
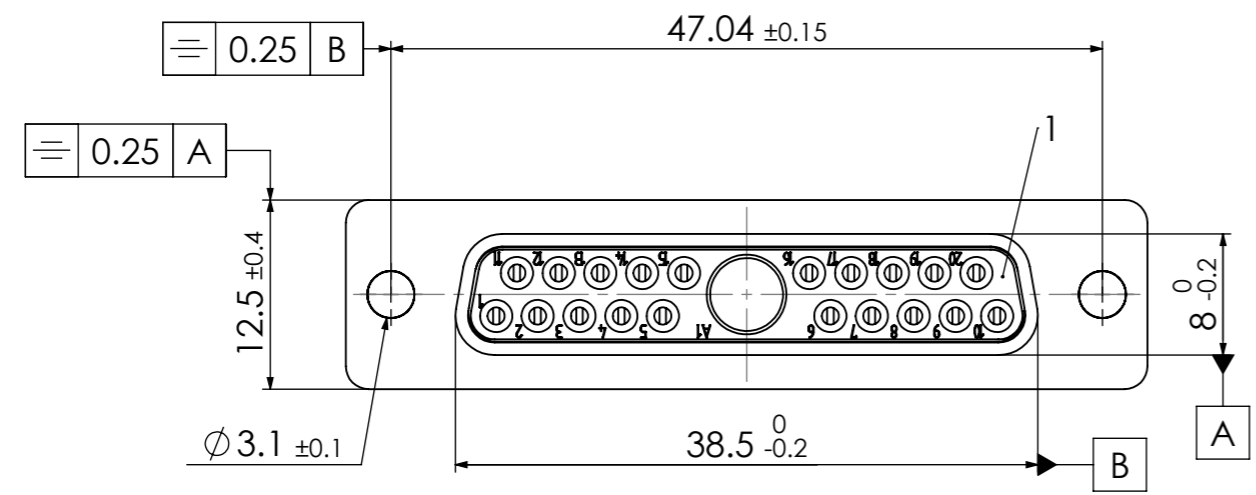


COMMENT:
 ALL RIGHTS ARE RESERVED BY US FOR THIS DRAWING. WITHOUT OUR PRIOR CONSENT,
 IT MAY NEITHER BE DUPLICATED NOR MADE AVAILABLE TO A THIRD PARTY.
 AND IT ALSO MAY NOT BE IMPROPERLY USED BY THE RECEIVER, OR A THIRD PARTY.

RoHS compliant



No.	St.	Part	Type Description/Material	Surface plating/Colour/Class
3	20	Signal contact	S0 / Brass	0,8µm Au / AWG 20
2	1	Shell	Steel	tin plated
1	1	Insulator	PBT (-55°C - +130°C)	green

		Measurement without tolerance occ. to ISO 2768-m		SCALE	TITLE
				2:1	D-Sub Mixed-Layout Connector
		NAME / DATE			
		DRAWN schref 12-08-2002			
		CHECKED aschiekofer 13-05-2004			
		a molex company		DWG.NO.	REV.
					FM21W1S-K121
1	REV.	DATE	CH.-NO.	ORIGINAL: DIN A3-DRAWING AS A FILE	REPLACEMENT FOR:
				PAGES	1