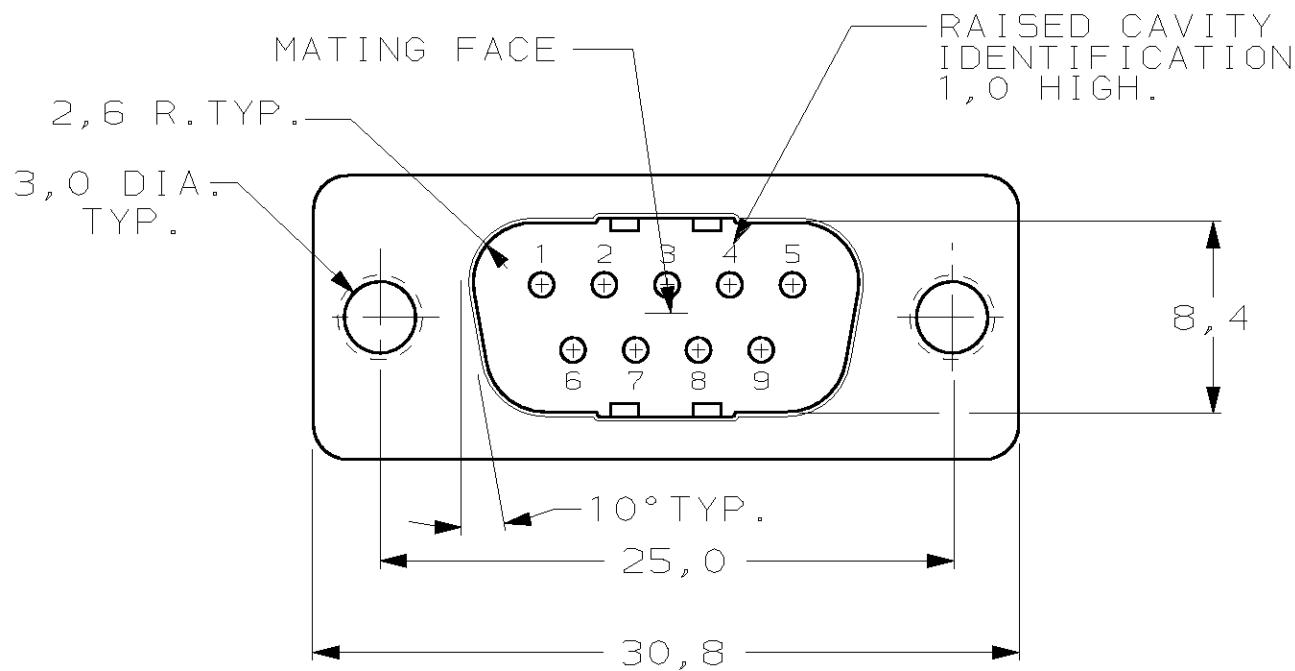
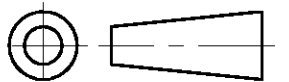


DO NOT SCALE

DIMENSIONS IN mm

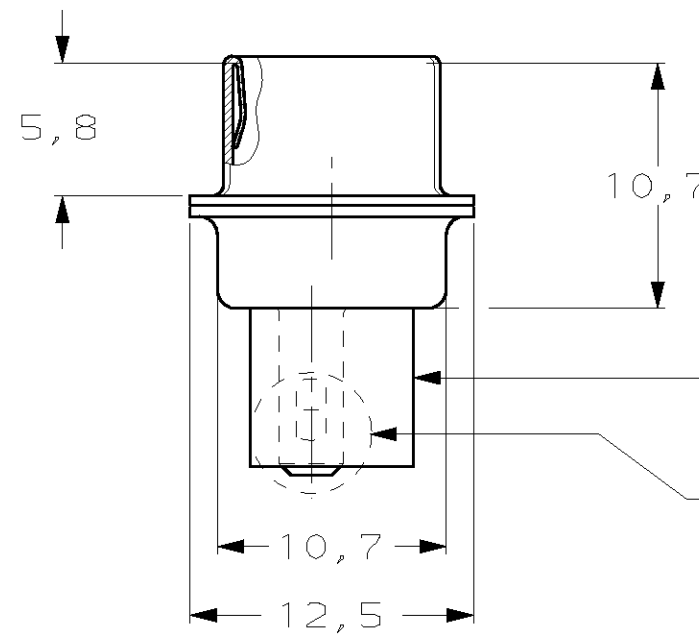
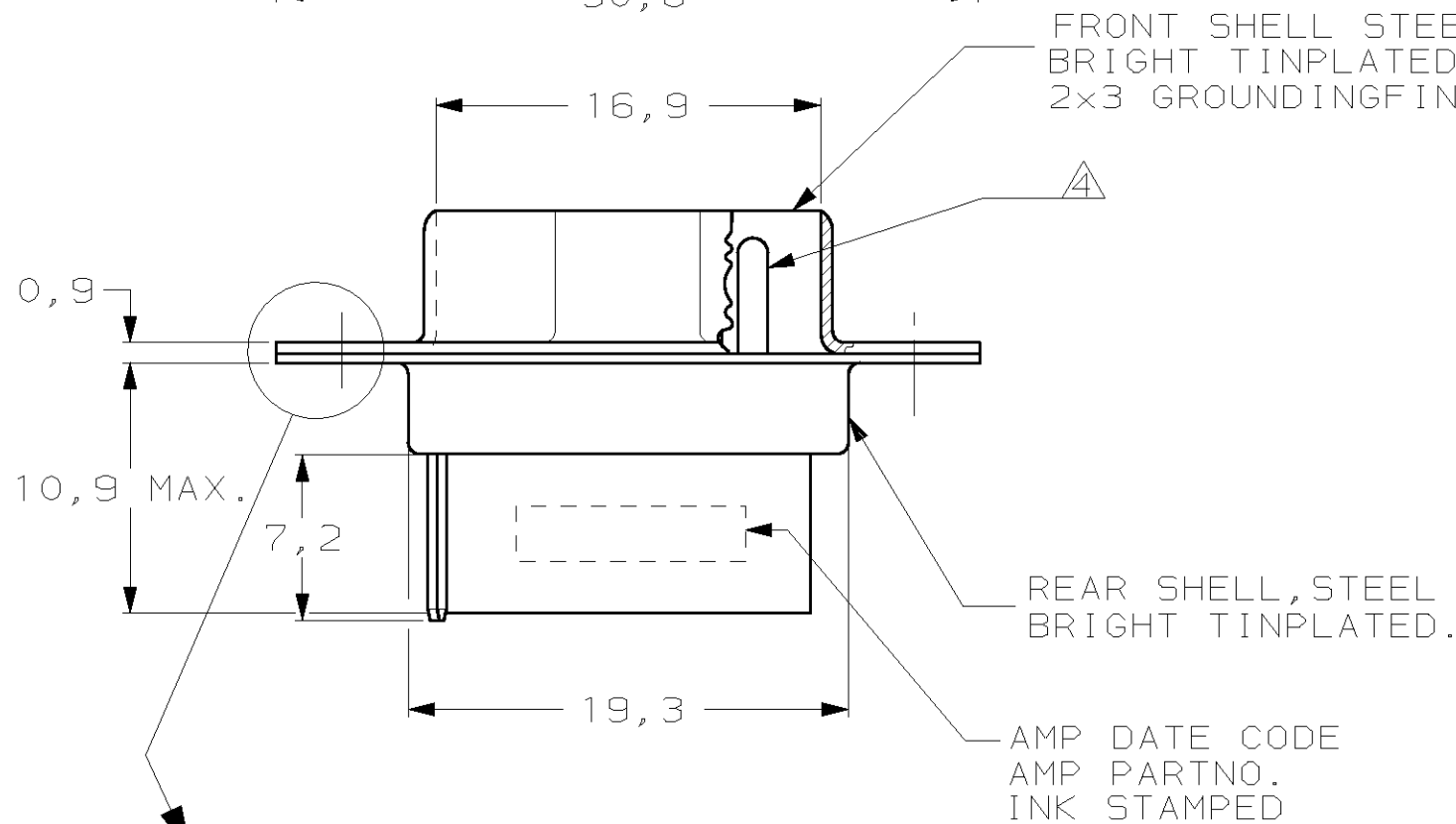
METRIC

THIRD ANGLE
PROJECTION



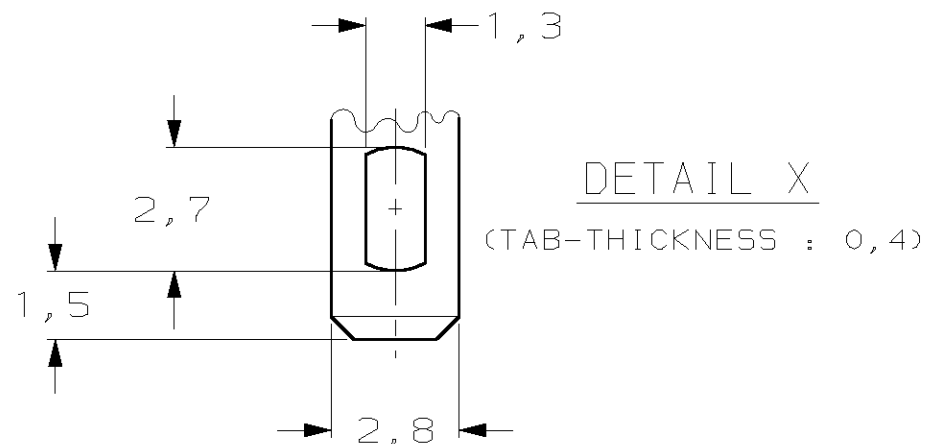
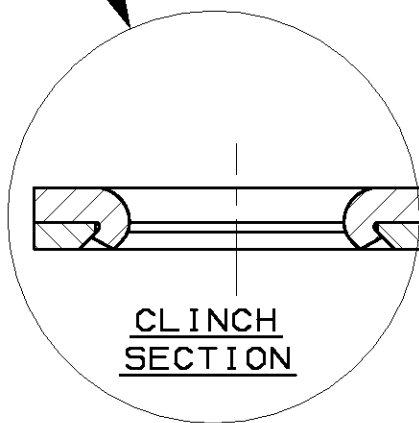
- NOTES: 1 THIS PLUG ACCEPTS SIZE 20 PIN CONTACTS
- 2 MAXIMUM WIRE INSULATION RECOMMENDED FOR USE WITH THIS PLUG IS 1,73 DIA. MAX..
- 3 RETENTION TINES ARE AN INTEGRAL PART OF INSERT.
- △ CONTACTS SHOWN FOR ILLUSTRATION ONLY, NO PART OF CONNECTOR PACKAGE, MUST BE ORDERED SEPARATELY.
- 5 FOLLOWING INSERTION/REMOVAL TOOLS ARE RECOMMENDED FOR USE WITH THESE CONNECTORS:
- | | |
|---------------------------|---------------------------|
| 32-28AWG/28-24AWG CONT'S | 24-20AWG CONTACTS |
| 91067-3 INSERTION/REMOVAL | 91067-2 INSERTION/REMOVAL |
| 726363-1 INSERTION ONLY | 726363-1 INSERTION ONLY |
| | 726364-1 REMOVAL ONLY |

FRONT SHELL STEEL,
BRIGHT TINPLATED WITH
2x3 GROUNDING FINGERS AT 3,8 PITCH.



INSERTS: NYLON
GLASS-FILLED
SELF-EXTINGUISHING
COLOR: BLACK

SEE DETAIL X



| | | | | | | | | |
|-------------------------------------|---------------------|-------------------|-------------|-----------|--|--|--------|----|
| SEE DRAWING | | | SEE DRAWING | | | 215711-1 | | |
| FINISH | | | MATERIAL | | | PARTNUMBER | | |
| CUSTOMER DRAWING | | | | | | FOR REFERENCE ONLY WILL NOT BE UPDATED | | |
| © COPYRIGHT 19- BY AMP HOLLAND B.V. | | | | | | ALL INTERNATIONAL RIGHTS RESERVED. AMP PRODUCTS MAY BE COVERED BY U.S. AND FOREIGN AND/OR PATENTS PENDING. | | |
| THIS DRAWING IS UNPUBLISHED | | | | | | RELEASED FOR PUBLICATION | | |
| <i>tyco</i> Electronics | | | | | | TYCO ELECTRONICS NEDERLAND B.V. 's-HERTOEGEBOSCH, THE NETHERLANDS. | | |
| NAME | | | | | | HDP-20 PLUG CONNECTOR, SIZE 1, (9 POSITION) WITH SOLDER TAB. | | |
| B | EH01-1520-03 | JvdH | PDJ | 22 DEC 03 | | | | |
| LTR. | REVISION RECORD | DR. | CHK. | DATE | | | | |
| DR. : L.V.D.HEIJDEN. | CHK. : C.V.TILBURG. | APP. : L.V.S0EST. | DWG.No. | | | REV.LTR. | SHEET | |
| DATE: 30-06-87 | DATE: 07-07-87 | DATE: 28-07-87 | C-215711 | | | B | 1 OF 1 | A3 |

8 | 7 | 6 | 5 | 4 | 3 | 2 | 1