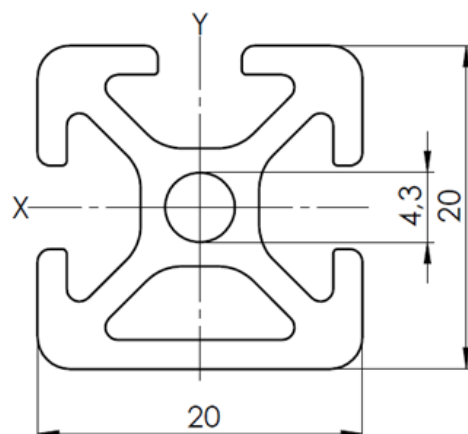
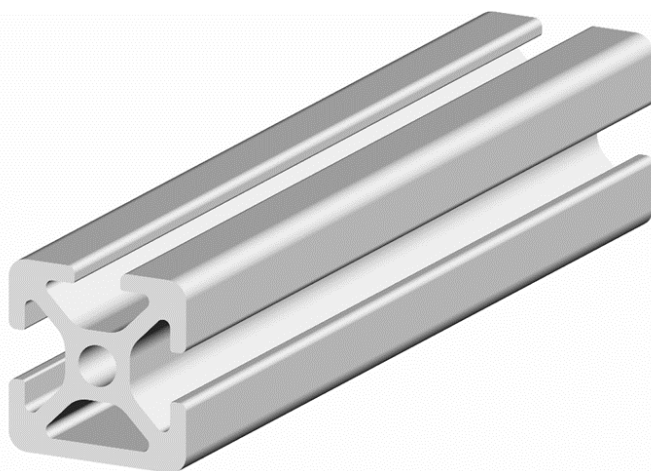


Datasheet

Profile 5 20x20 1N

RS Article no.:

ENGLISH



Product description			
Profile	20mm x 20mm		
Slot size	5mm		
Profile length	1000mm		
No. of slots	3		
Material	Anodized Aluminium		
Technical data			
Moment of inertia	I_x	0,82	cm ⁴
	I_y	0,74	cm ⁴
Section modulus	W_x	0,78	cm ³
	W_y	0,74	cm ³
Mass	G	0,52	kg/m
EN AW - 6063 T6	DIN EN 573		
Tolerances	DIN EN 12020-2		
Anodizing process	E6 C0		
RS Article no.	1000mm		