



Product designation				Power contactor
Product type designation				BF400
Contact characteristics				
Number of poles	Nr.			4
Rated insulation voltage U _i IEC/EN	V			1000
Rated impulse withstand voltage U _{imp}	kV			8
Operational frequency	min	Hz	25	
	max	Hz	400	
IEC Conventional free air thermal current I _{th} ≤ 40°C	A			600
Operational current I _e	AC-1 (≤40°C)	A	600	
	AC-1 (≤55°C)	A	500	
	AC-1 (≤70°C)	A	435	
	AC-3 (≤440V ≤55°C)	A	400	
	AC-4 (400V)	A	190	
Rated operational power AC-3 (T≤55°C)	230V	kW	110	
	400V	kW	200	
	415V	kW	200	
	440V	kW	200	
	500V	kW	250	
	690V	kW	315	
	1000V	kW	200	
Rated operational current AC-3 (T≤55°C)	230V	A	400	
	400V	A	400	
	415V	A	400	
	440V	A	400	
	500V	A	350	
	690V	A	350	
	1000V	A	155	
Rated operational power AC-1 (T≤40°C)	230V	kW	227	
	400V	kW	395	
	500V	kW	434	
	690V	kW	681	
IEC max current I _e in DC1 with L/R ≤ 1ms with 1 poles in series	75V	A	400	
	110V	A	250	
IEC max current I _e in DC1 with L/R ≤ 1ms with 2 poles in series	75V	A	400	
	110V	A	400	
	220V	A	350	
IEC max current I _e in DC1 with L/R ≤ 1ms with 3 poles in series				

	75V	A	400
	110V	A	400
	220V	A	400
	330V	A	350
IEC max current I _e in DC1 with L/R ≤ 1ms with 4 poles in series			
	75V	A	400
	110V	A	400
	220V	A	400
IEC max current I _e in DC3-DC5 with L/R ≤ 15ms with 1 poles in series			
	75V	A	350
	110V	A	200
IEC max current I _e in DC3-DC5 with L/R ≤ 15ms with 2 poles in series			
	75V	A	350
	110V	A	350
	220V	A	280
IEC max current I _e in DC3-DC5 with L/R ≤ 15ms with 3 poles in series			
	75V	A	350
	110V	A	350
	220V	A	350
	330V	A	280
IEC max current I _e in DC3-DC5 with L/R ≤ 15ms with 4 poles in series			
	75V	A	350
	110V	A	350
	220V	A	350
	330V	A	350
	460V	A	280
Short-time allowable current for 10s (IEC/EN60947-1)		A	3200
Protection fuse			
	gG (IEC)	A	800
	aM (IEC)	A	500
Making capacity (RMS value)		A	4000
Breaking capacity at voltage			
	440V	A	3200
	500V	A	2752
	690V	A	2504
Resistance per pole (average value)		mΩ	0.12
Power dissipation per pole (average value)			
	I _{th}	W	43.2
	AC-3	W	19
Tightening torque for terminals			
	min	Nm	35
	max	Nm	35
	min	lbin	310
	max	lbin	310
Tightening torque for coil terminal			
	min	Nm	0.8
	max	Nm	1
Power terminal protection according to IEC/EN 60529			IP00
Mechanical features			
Operating position		normal allowable	Vertical plan ±30°
Fixing			Screw

Operations

Mechanical life	cycles	5000000
Electrical life	cycles	600000

Safety related data

Performance level B10d according to EN/ISO 13489-1

	rated load	cycles	600000
	mechanical load	cycles	5000000
EMC compatibility			yes

AC coil operating

Rated AC voltage at 50/60Hz, 60Hz

	min	V	60
	max	V	130

AC operating voltage

of 50/60Hz coil powered at 50Hz
pick-up

min	%Us	80 Us min
max	%Us	110 Us max

drop-out

max	%Us	≤70 Us min
-----	-----	------------

of 50/60Hz coil powered at 60Hz
pick-up

min	%Us	80 Us min
max	%Us	110 Us max

drop-out

max	%Us	≤70 Us min
-----	-----	------------

AC average coil consumption at 20°C

of 50/60Hz coil powered at 50Hz

in-rush	VA	160...320
holding	VA	3.5...8.0

of 50/60Hz coil powered at 60Hz

in-rush	VA	160...320
holding	VA	3.5...8.0

of 60Hz coil powered at 60Hz

in-rush	VA	160...320
holding	VA	3.5...8.0

Dissipation at holding ≤20°C 50Hz

W	3.5...8.0
---	-----------

DC coil operating

DC rated control voltage

min	V	60
max	V	130

DC operating voltage

pick-up

min	%Us	85 Us min
max	%Us	110 Us max

drop-out

max	%Us	≤70 Us min
-----	-----	------------

Average coil consumption ≤20°C

in-rush	W	160...230
holding	W	3.5...8.0

Max cycles frequency

Mechanical operation cycles/h 1000

Operating times

Average time for Us control

in AC

Closing NO

min	ms	80
max	ms	120

Opening NO

min	ms	30
max	ms	75

UL technical data

Rated operational voltage AC (UL) V 600

Yielded mechanical performance

for three-phase AC motor

200/208V	HP	125
220/240V	HP	150
460/480V	HP	350
575/600V	HP	400

General USE

Contactor

AC current A 600

Short-circuit protection fuse, 600V

High fault

Short circuit current	kA	100
Fuse rating	A	600
Fuse class		J

Standard fault

Short circuit current	kA	18
Fuse rating	A	600
Fuse class		RK5

Ambient conditions

Temperature

Operating temperature

min	°C	-40
max	°C	70

Storage temperature

min	°C	-50
max	°C	80

Max altitude

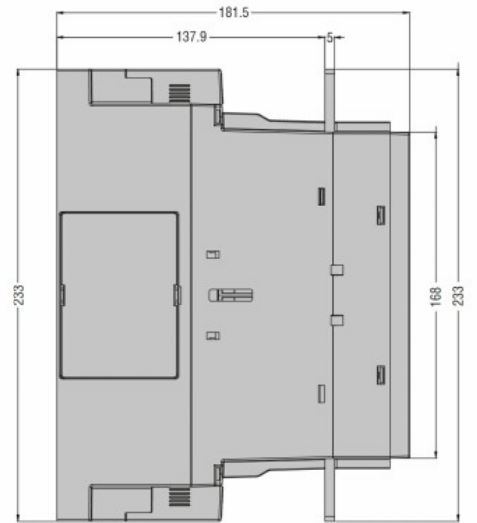
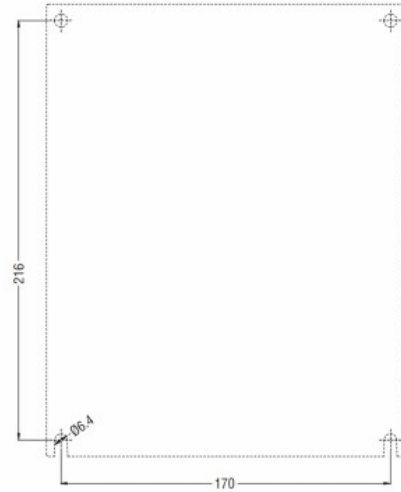
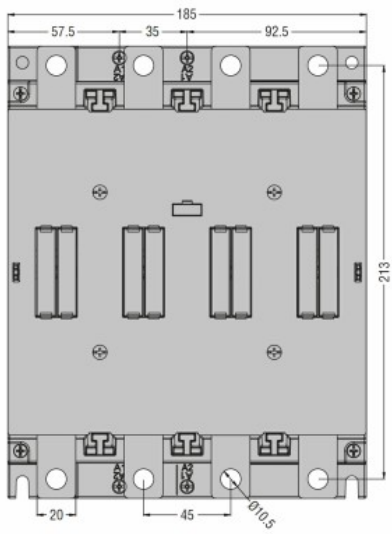
m 3000

Resistance & Protection

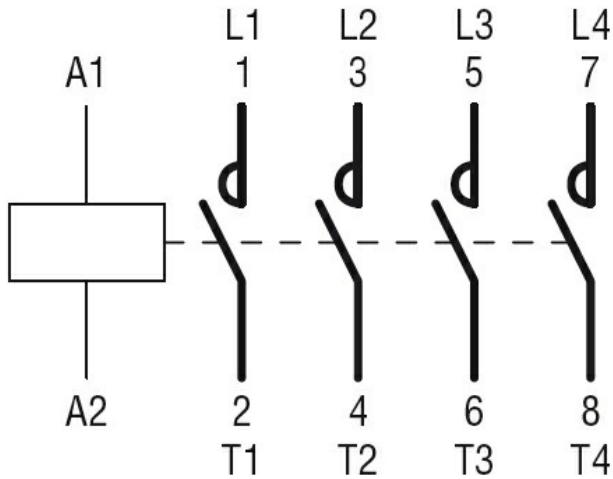
Pollution degree

3

Dimensions



Wiring diagrams



Certifications and compliance

Compliance

- CSA C22.2 n° 60947-1
- CSA C22.2 n° 60947-4-1
- IEC/EN/BS 60947-1
- IEC/EN/BS 60947-4-1
- UL 60947-1
- UL 60947-4-1

Certificates

cULus

ETIM classification

ETIM 8.0

EC000066 -
Power contactor,
AC switching