**ebm-papst Mulfingen GmbH & Co. KG**

Bachmühle 2

D-74673 Mulfingen

Phone: +49(0)7938/81-0

Fax: +49(0)7938/81-110

info1@de.ebmpapst.com

www.ebmpapst.com

Nominal data

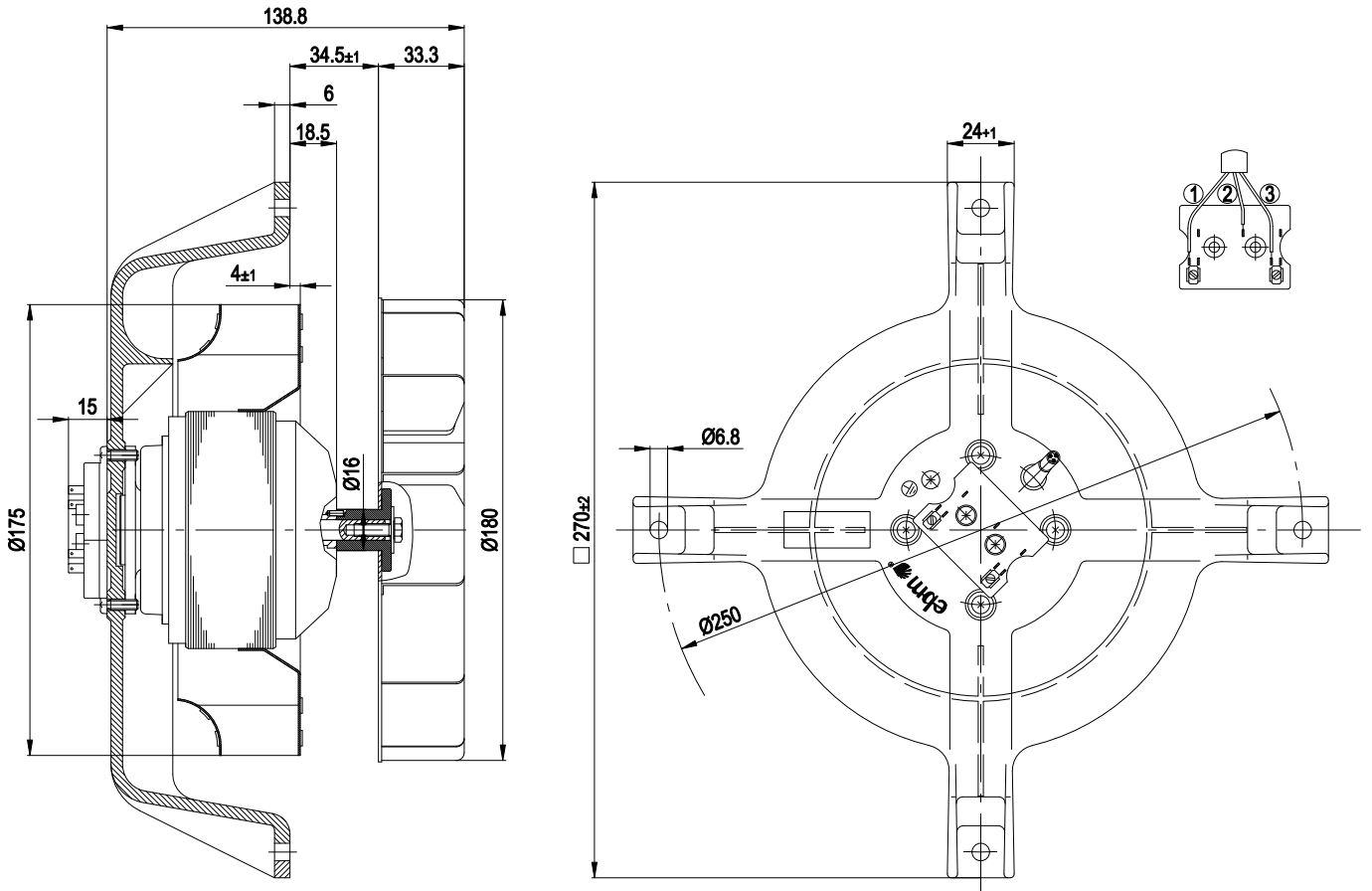
| | | | |
|-------------------------------|-----------------------|------|------|
| Type | R2E180-AH05-06 | | |
| Motor | M2E068-DF | | |
| Phase | | 1~ | 1~ |
| Nominal voltage | V | 230 | 230 |
| Frequency | Hz | 50 | 60 |
| Type of data definition | | rfa | rfa |
| Valid for approval / standard | | CE | CE |
| Speed | min ⁻¹ | 2600 | 2850 |
| Power input | W | 115 | 155 |
| Current draw | A | 0.51 | 0.68 |
| Motor capacitor | µF | 3 | 3 |
| Capacitor voltage | VDB | 400 | 400 |
| Min. back pressure | Pa | 0 | 0 |
| Max. ambient temperature | °C | 100 | 95 |

ml = max. load · me = max. efficiency · rfa = running at free air · cs = customer specs · cu = customer unit
Subject to alterations

Technical features

| | |
|--|--|
| Leakage current | < 0.75 mA |
| Size | 180 mm |
| Operation mode | S1 |
| Direction of rotation | Counter-clockwise, seen on rotor |
| Mounting position | Shaft horizontal |
| Electrical leads | Via terminal strip |
| Humidity class | F0 |
| Insulation class | "F" |
| Cable exit | Axial |
| Condensate discharge holes | None |
| Motor bearing | Ball bearing |
| Mass | 3.1 kg |
| Material of impeller | Hot air impeller of stainless steel |
| Type of protection | IP 20 |
| Protection class | I (if earth wire is connected by customer) |
| Max. permissible ambient motor temp. (transp./ storage) | + 80 °C |
| Min. permissible ambient motor temp. (transp./storage) | - 40 °C |
| Approval | CCC |

Product drawing



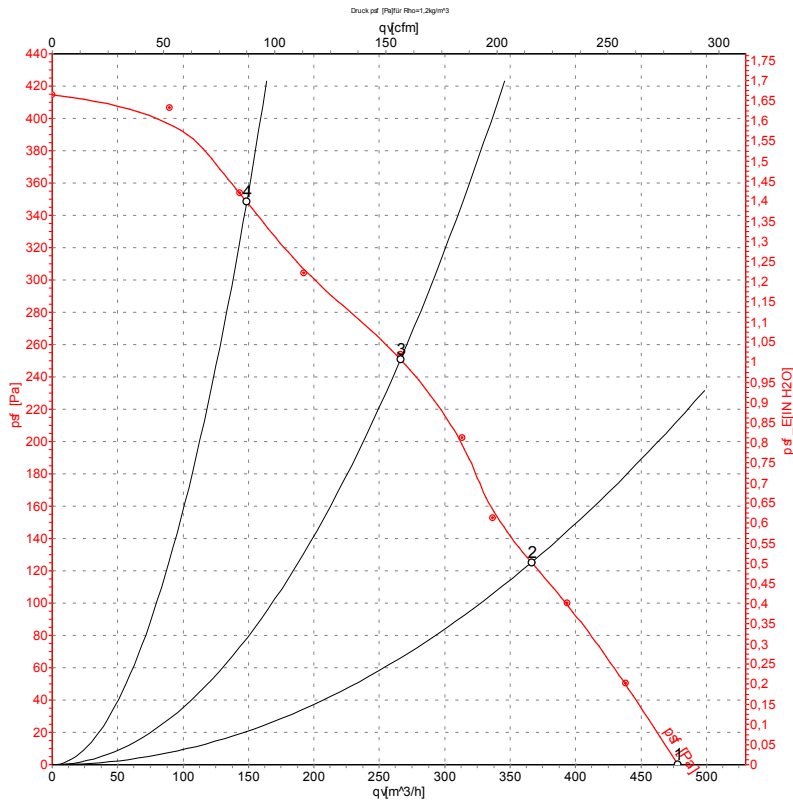
| | | | | | |
|---|------|---|-------|---|-------|
| 1 | blue | 2 | brown | 3 | black |
|---|------|---|-------|---|-------|

Connection screen



| | | | | | |
|----|--------------|---|-------|----|-------|
| U1 | blue | Z | brown | U2 | black |
| PE | green/yellow | | | | |

Charts: Air flow 50 Hz



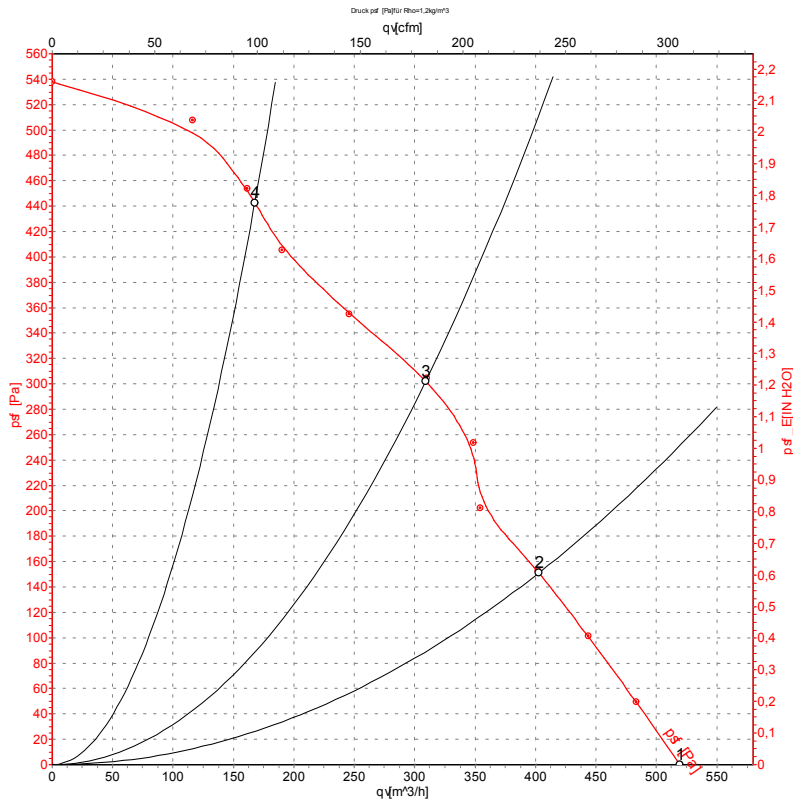
Measurement: LU-18195

Air performance measured as per ISO 5801 Installation Category A. For detailed information on the measuring set-up, please contact ebm-papst. Suction-side noise levels: LwA measured as per ISO 13347 / LpA measured with 1m distance to fan axis. The values given are valid under the measuring conditions mentioned above and may vary according to the actual installation situation. With any deviation from the standard set-up, the specific values have to be checked and reviewed with the unit installed.

Measured values

| | U | f | n | P ₁ | I | qv | p _{sf} |
|---|-----|----|-------------------|----------------|------|-------------------|-----------------|
| | V | Hz | min ⁻¹ | W | A | m ³ /h | Pa |
| 1 | 230 | 50 | 2650 | 125 | 0.55 | 480 | 0 |
| 2 | 230 | 50 | 2645 | 115 | 0.52 | 365 | 125 |
| 3 | 230 | 50 | 2685 | 109 | 0.50 | 265 | 254 |
| 4 | 230 | 50 | 2700 | 106 | 0.49 | 150 | 348 |

Charts: Air flow 60 Hz



Measurement: LU-18196

Air performance measured as per ISO 5801 Installation Category A. For detailed information on the measuring set-up, please contact ebm-papst. Suction-side noise levels: L_{wA} measured as per ISO 13347 / L_{pA} measured with 1m distance to fan axis. The values given are valid under the measuring conditions mentioned above and may vary according to the actual installation situation. With any deviation from the standard set-up, the specific values have to be checked and reviewed with the unit installed.

Measured values

| | U | f | n | P ₁ | I | q _v | p _{sf} |
|---|-----|----|-------------------|----------------|------|-------------------|-----------------|
| | V | Hz | min ⁻¹ | W | A | m ³ /h | Pa |
| 1 | 230 | 60 | 2850 | 165 | 0.70 | 520 | 0 |
| 2 | 230 | 60 | 2925 | 152 | 0.66 | 405 | 152 |
| 3 | 230 | 60 | 3000 | 144 | 0.62 | 310 | 305 |
| 4 | 230 | 60 | 3035 | 138 | 0.60 | 170 | 444 |