

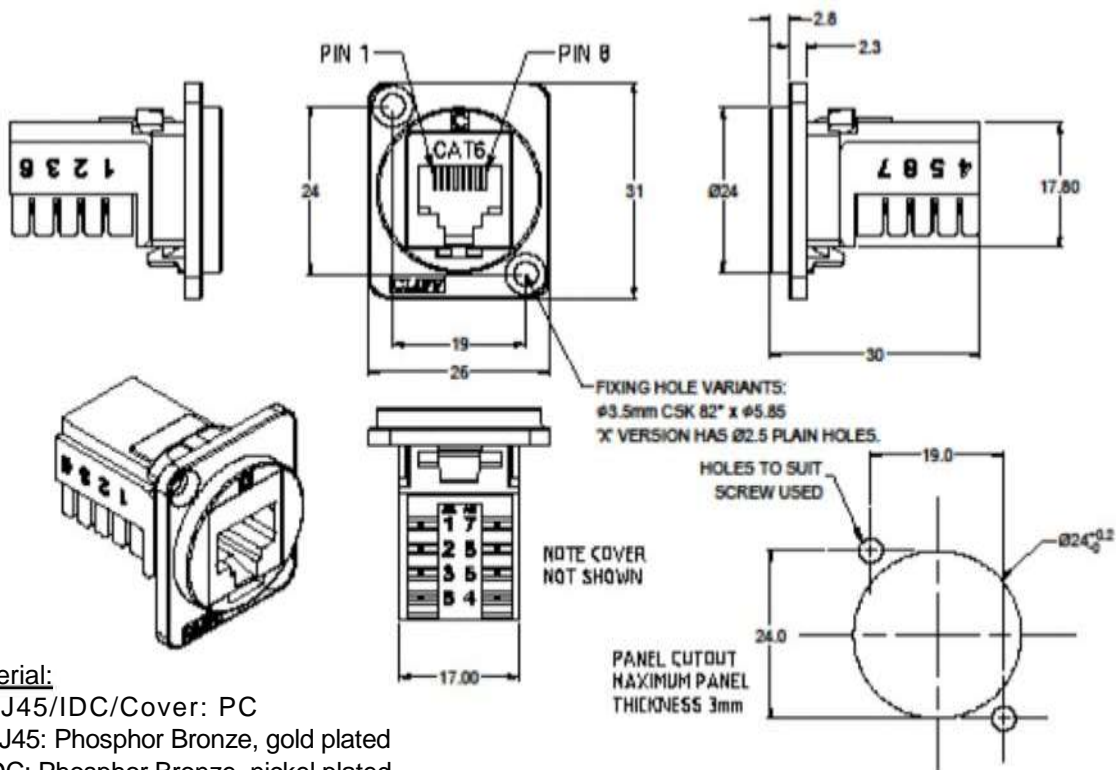


ENGLISH

Datasheet

RS PRO CAT 6 IDC FEEDTHROUGH CONNECTOR

Stock No: 2050430, 2050431



Material:

1. RJ45/IDC/Cover: PC
2. RJ45: Phosphor Bronze, gold plated
3. IDC: Phosphor Bronze, nickel plated
4. PCB: FR4
5. Frame: Polyamide UL94V-2

Performance:

1. T568A + T568B wiring.

rspro.com

Feedthrough Features

- Fits standard XLR Ø24mm cutout.
- No soldering or punch termination. Use standard cable for each connector style.
- Front or rear mounted.
- Low rear profile

General:

Please note: Functionality is affected by cable quality, length and cable wiring configuration.

Part Nos.

2050430 - Cat6 IDC Black plastic frame, CSK holes

2050431 - Cat6 IDC Black plastic frame, PLAIN holes



rspro.com

