



U.S. Tsubaki Power Transmission, LLC

301 E. Marquardt Dr.

Wheeling, IL 60090

Phone: 847.459.9500 or 800.323.7790

Fax: 847.459.9515

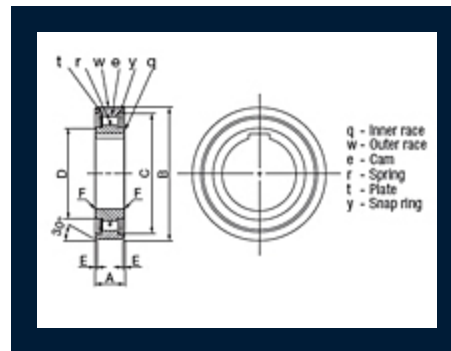
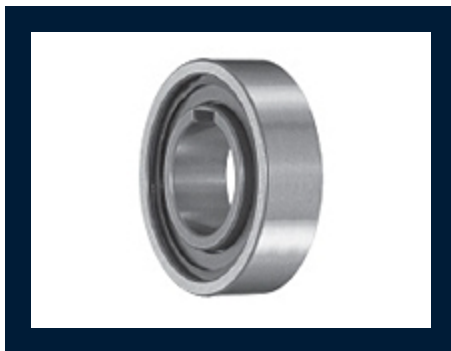
Email: sales@ustsubaki.com

Website: www.ustsubaki.com

ITEM # TSS10, TSS-10 MM BORE CAM CLUTCH

TSS Series Cam Clutch is designed for press fit installation with outside dimensions the same as the 62 Series ball bearing. As a sprag clutch, higher torque capacities are often higher than a similar ramp & roller design. This design provides easy handling and installation, most often with a Series 62 ball bearing located next to the TSS Cam Clutch. The TSS Series is ideal for applications that require high speed inner race overrunning in a very compact package. This series ships pre-

[more](#)



Specifications

Bore Size	0.394 in 10.00 mm
Torque Capacity	8.9 lb·ft 12.0 N·m
Max. Overrunning Inner Race	4500 rpm
Max. Overrunning Outer Race	2300 rpm

Drag Torque	0.005 lb·ft 0.01 N·m
Keyway	3 x 1.4 mm
A (Overall Width)	0.354 in 9.00 mm
B (Overall Diameter)	1.181 in 30.00 mm
C (Outer Race I.D.)	1.063 in 27.00 mm
D (Inner Race I.D.)	0.614 in 15.60 mm
E (Offset)	0.024 in 0.60 mm
F (Chamfer)	0.024 in 0.60 mm
Weight	0.059 lb 0.027 kg