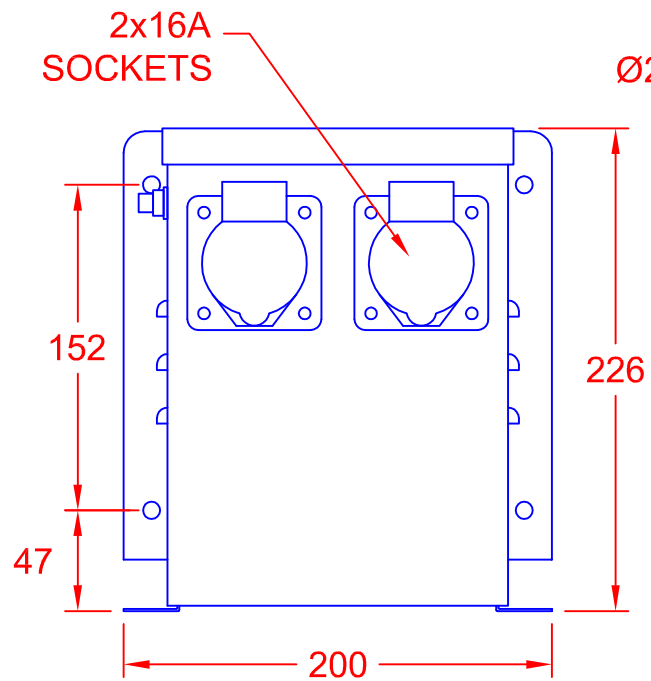
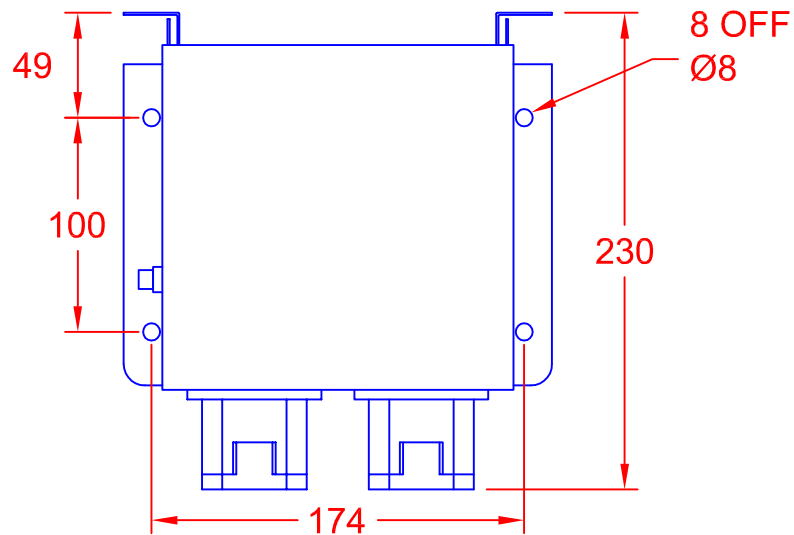
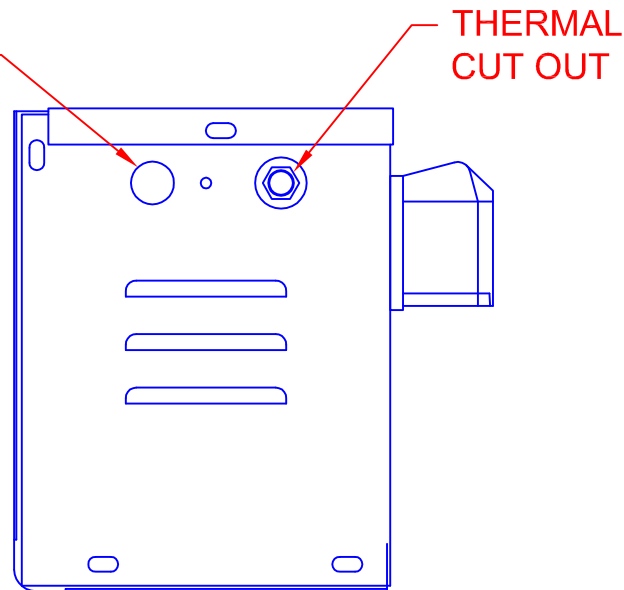


TOLERANCES (UNLESS SPECIFIED)	
0-10mm	±0.2mm
10.1-50mm	±0.5mm
50.1-250mm	±1.0mm
>250mm	±2.0mm



Ø20 GLAND HOLE
IN EACH SIDE



WALL MOUNTING TRANSFORMER

TYPE: ISOLATION
 MODEL: CM1500/WM2
 INPUT: 230V, 50Hz
 OUTPUT: 55V-0-55V
 CENTRE TAP EARTHED
 SOCKETS: 2 x 16A BS EN 60309
 RATING: 1.5kVA INTERMITTENT
 (5 MINS ON, 15 MINS OFF)
 THERMAL CUTOUT: 6A
 ENCLOSURE: MILD STEEL
 RATED IP22
 COLOUR: RAL 7032

REV	
4	
3	
2	
1	

CARROLL & MEYNELL
 TRANSFORMERS LIMITED
 TEL: 01642 617406 FAX: 01642 614178
 enquiries@carroll-meynell.com

TITLE	DRAWN	PROJECTION	DATE	SCALE
WALL MOUNTED TRANSFORMER CM1500/WM2	SH		12/5/8	NTS
ALL DIMENSIONS IN mm	DRAW No	REV	PAGE	
	3275	0	1/1	