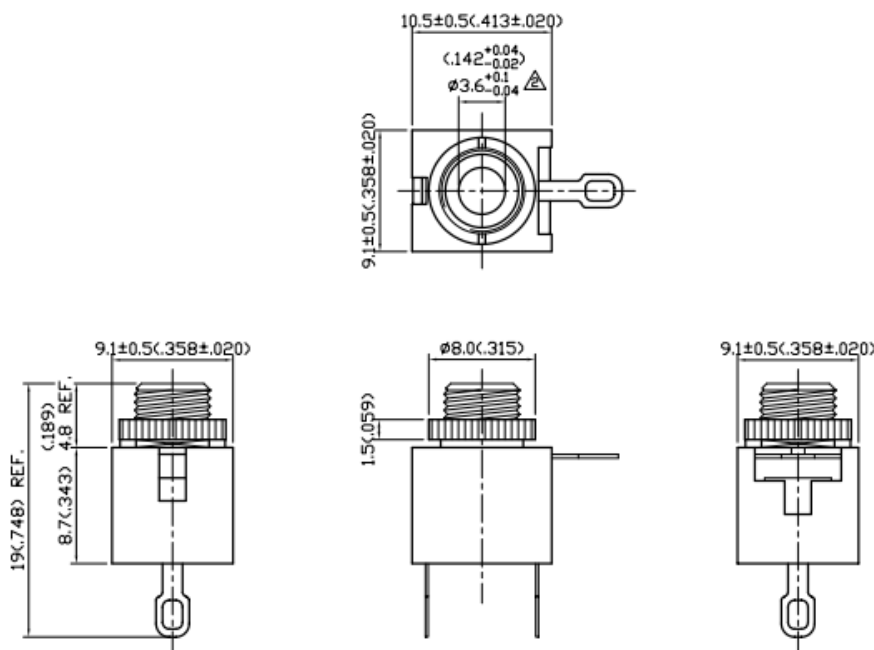


Datasheet

Enclosed chassis mount jack socket, 3.5mm

RS Stock number [106-874](#)

Dimensions (mm)



Specifications

Materials

- Body - Brass : Finish - Nickel
- Solder Tag 1 - Brass : Finish - Nickel
- Solder Tag 2 - Brass : Finish - Nickel
- Solder Tag 3 - Brass : Finish - Nickel
- Housing - POM : Finish - Black
- Nut - Brass : Finish - Nickel