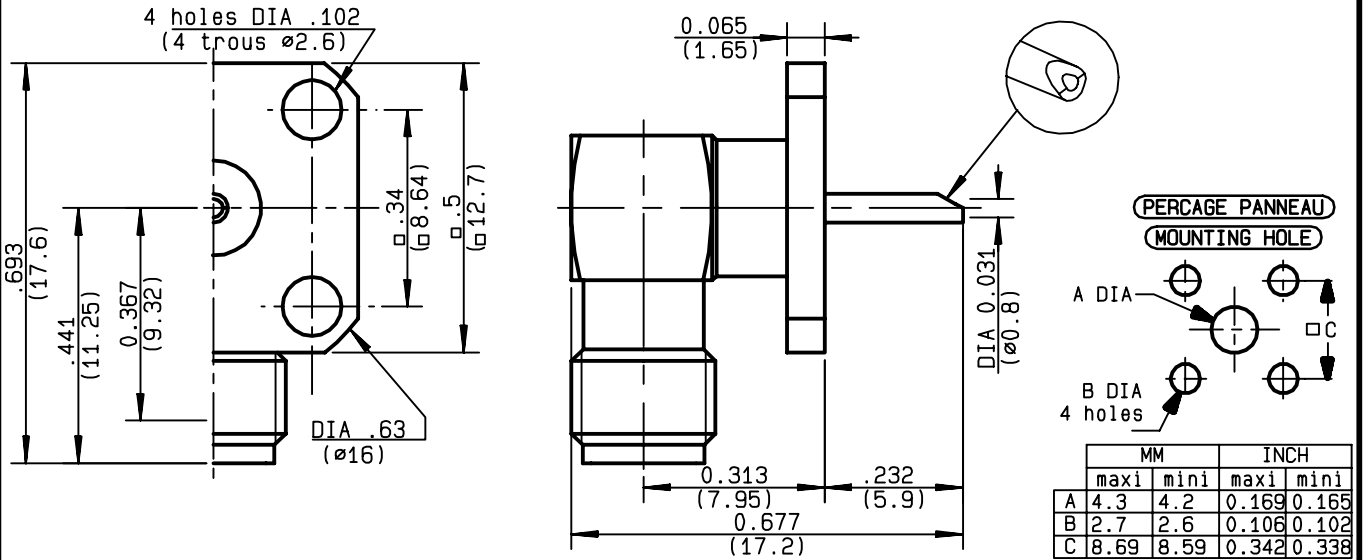


**RIGHT ANGLE SQUARE FLANGE JACK RECEPT.
WITH SOLDER POT CONTACT**

R125.654.000
SERIES SMA



NOMINAL IMPEDANCE	50	Ω
FREQUENCY RANGE	0-18	GHz
TEMPERATURE RATING	-65/+165	$^{\circ}$ C
V.S.W.R	1.065	+ .0025 x F(GHz)Maxi
RF INSERTION LOSS	0.07	\sqrt{F} (GHz) dB Maxi
VOLTAGE RATING	500	Veff Maxi
DIELECTRIC WITHSTANDING VOLTAGE	1000	Veff Mini
INSULATION RESISTANCE	5000	M Ω Mini
HERMETIC SEAL	NA	Atm.cm ³ /s
LEAKAGE (pressurized only)	NA	
MECHANICAL DURABILITY	500	Cycles
WEIGHT		gr
SPECIFICATION		

CABLES :		
OTHERS CHARACTERISTICS		
CABLE RETENTION	NA	N Mini
CENTER CONTACT RETENTION		
Axial force - mating end	27	N Mini
Axial force - opposite end	27	N Mini
Torque	2.8	cm.N Mini
RECOMMENDED TORQUES		
Mating	NA	cm.N
Panel nut	NA	cm.N
Clamp nut	NA	cm.N

CONNECTOR PARTS	MATERIALS	FINISH	(all values are given in micrometers)
BODY	STAINLESS STEEL	GOLD 1.3 OVER NICKEL 2	
OUTER CONTACT			
CENTER CONTACT	BERYLLIUM COPPER	GOLD 1.3 OVER NICKEL 2	
INSULATOR	PTFE	-	
GASKET		-	
OTHERS PIECES			

AGRIODOS

ISSUE	CREATION DATE	FILE PART-NUMBER
9840L00	12/03/1991	



The information given here is subject to change without notice.
Design changes may be in order to improve the product .

Connect to the future