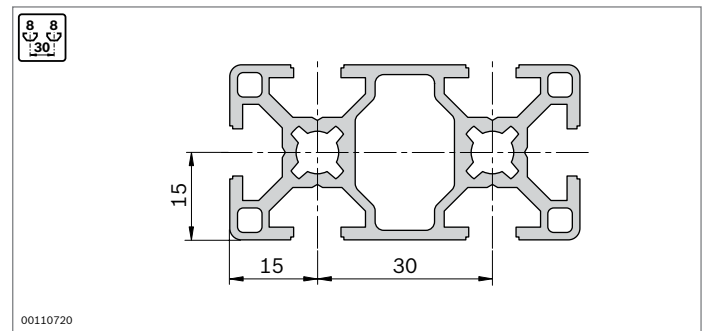
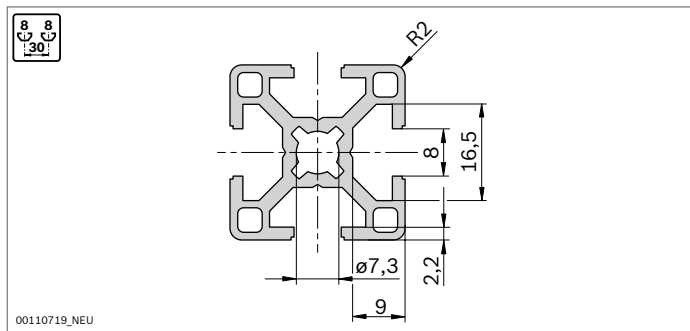


# Strut profiles with 8 mm slot

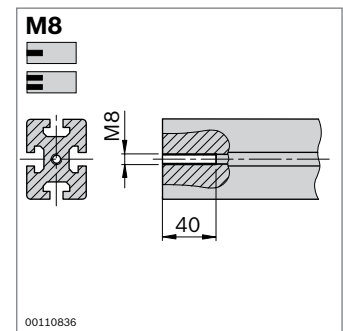
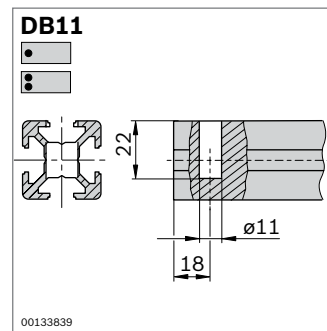
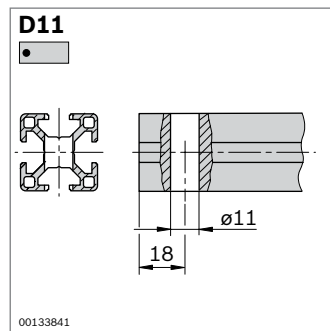
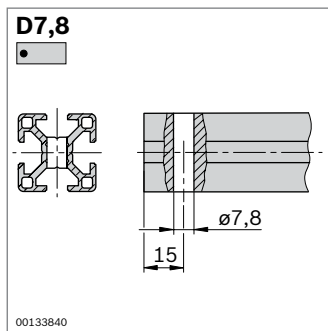
Strut profiles with a 8 mm slot are suitable for medium loads, such as material shuttles, light fixtures, frames and partition walls.

Profile 30x60x60 is suitable for constructing showcases and flow racks. Attractive covers and hoods can be designed with radius profiles.

## Slot, modular dimensions, central bore



## Profile finishing



## Minimum profile lengths (mm) for Quick & Easy standard profile finishing on one or both sides

	-	M8	D7.8	D11/DB11
-	50	50	50	50
M8	50	80	62	70
D7.8	50	62	60	50
D11/DB11	50	70	50	60

**30x60**

A = 5,5 cm<sup>2</sup>  
 $I_x = 19,6 \text{ cm}^4$   
 $I_y = 5,1 \text{ cm}^4$   
 $W_x = 7,0 \text{ cm}^3$   
 $W_y = 3,9 \text{ cm}^3$   
 m = 1,5 kg/m

19187

Cover cap	Color	ESD	No.
30x30 (2x)	Signal gray	100	3 842 548 744
30x60 (1x)	Signal gray	20	3 842 548 780
30x30 (2x)	Black	20	3 842 548 745
30x60 (1x)	Black	20	3 842 548 781

Material: PP

Cover cap with hole	Color	ESD	No.
30x30 (2x)	Signal gray	20	3 842 548 774
30x30 (2x)	Black	20	3 842 548 775

Material: PP

**30x60 4N**

A = 5,8 cm<sup>2</sup>  
 $I_x = 20,2 \text{ cm}^4$   
 $I_y = 5,5 \text{ cm}^4$   
 $W_x = 6,7 \text{ cm}^3$   
 $W_y = 3,8 \text{ cm}^3$   
 m = 1,6 kg/m

19188

Cover cap: See 30x60

**30x60x60**

A = 8,2 cm<sup>2</sup>  
 $I_x = 26,2 \text{ cm}^4$   
 $I_y = 26,2 \text{ cm}^4$   
 $W_x = 7,6 \text{ cm}^3$   
 $W_y = 7,6 \text{ cm}^3$   
 m = 2,2 kg/m

19189

Cover cap	Color	ESD	No.
30x30 (3x)	Signal gray	100	3 842 548 744
30x30 (3x)	Black	20	3 842 548 745

Material: PP

30x60	L (mm)	No.
1 pcs	50 ... 5600	3 842 992 457 / L
1 pcs M8	50 ... 5600	3 842 992 458 / L
1 pcs M8	80 ... 5600	3 842 992 926 / L
1 pcs D11	50 ... 5600	3 842 992 459 / L
1 pcs D11	60 ... 5600	3 842 992 460 / L
1 pcs D11	60 ... 5600	3 842 992 463 / L
1 pcs D11	60 ... 5600	3 842 992 462 / L
10 pcs	5600	3 842 512 603

Profile finishing: M8: in all core holes  
 D11: in slots B/F, C/E  
 D11V: in slots A/D

Quick & Easy (p. 2-8, see fold-out section)

30x60	No.
30x60	3 842 993 712 / ...
Length L (mm)	50 ... 5600
Standard profile finishing (note minimum length, p. 2-16)	M8 / D7.8 / D11 / DB11
Customized profile finishing (L <sub>max</sub> = 4900 mm)	DI / DIS / MT / MTS / MI / MIS / DG <sup>1)</sup>

<sup>1)</sup> DG<sub>max</sub> = 45°; L<sub>min1</sub> / L<sub>min2</sub> = 404 / 508 mm

30x60 4N	L (mm)	No.
1 pcs	50 ... 6000	3 842 993 420 / L
10 pcs	6070	3 842 536 472

Quick & Easy (p. 2-8, see fold-out section)

30x60 4N	No.
30x60 4N	3 842 993 713 / ...
Length L (mm)	50 ... 6000
Standard profile finishing (note minimum length, p. 2-16)	M8 / D7.8 / D11 / DB11
Customized profile finishing (L <sub>max</sub> = 5400 mm)	DI / DIS / MT / MTS / MI / MIS / DG <sup>1)</sup>

<sup>1)</sup> DG<sub>max</sub> = 45°; L<sub>min1</sub> / L<sub>min2</sub> = 404 / 508 mm

30x60x60	L (mm)	No.
1 pcs	50 ... 5600	3 842 993 016 / L
20 pcs	5600	3 842 524 049

Quick & Easy (p. 2-8, see fold-out section)

30x60x60	No.
30x60x60	3 842 993 715 / ...
Length L (mm)	50 ... 5600
Standard profile finishing (note minimum length, p. 2-16)	M8 / D7.8 / D11 / DB11
Customized profile finishing (L <sub>max</sub> = 4900 mm)	DI / DIS / MT / MTS / MI / MIS / DG <sup>1)</sup>

<sup>1)</sup> DG<sub>max</sub> = 45°; L<sub>min1</sub> / L<sub>min2</sub> = 404 / 508 mm