

22 Round Nose Pliers

DIN ISO 5745

- for bending wire loops
- round, short jaws; finely ground
- Chrome vanadium electric steel, forged, oil-hardened



22 01 160
8



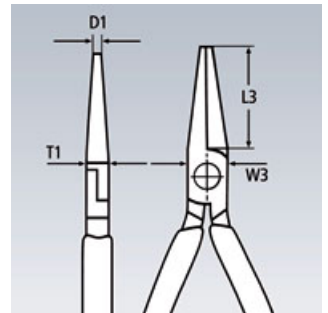
22 02 160
8



22 06 160
 8



22 05 160
8



Article No.	EAN 4003773-	↔ mm		Pliers	Head	Handles	Dimensions				⚖ g
							L3 mm	W3 mm	D1 mm	T1 mm	
22 01 125	014461	125					27.0	14.5	2.0	8.0	75
22 01 140	013013	140	8	black atramentized	polished	plastic coated	28.0	16.5	2.5	9.5	100
22 01 160	015024	160					30.0	18.0	3.0	9.5	140
22 01 180	015819	180					35.0	21.0	3.5	10.5	177
22 02 140	043430	140	8	black atramentized	polished	with multi-component grips	28.0	16.5	2.5	9.5	129
22 02 160	023173	160					30.0	18.0	3.0	9.5	170
22 05 140	042891	140	8	chrome plated		with multi-component grips	28.0	16.5	2.5	9.5	127
22 05 160	042907	160					30.0	18.0	3.0	9.5	169
22 06 160	033790	160	8	chrome plated		insulated with multi-component grips, VDE-tested	30.0	18.0	3.0	9.5	175
22 07 160	015901	160	8	chrome plated		with plastic dipped insulation, VDE-tested	30.0	18.0	3.0	9.5	196

23 Flat Nose Pliers with cutting edges

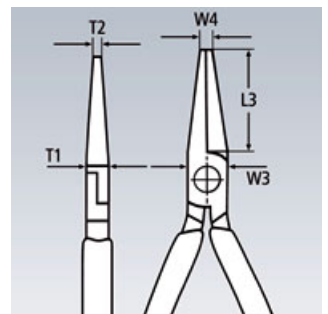
(precision mechanics pliers)

DIN ISO 5745

- suitable for gripping and cutting work in fine mechanics
- flat, long jaws, tapering
- cutting edges additionally induction hardened, cutting edge hardness approx. 60 HRC
- High-grade special tool steel, forged, oil-hardened



23 01 140



Article No.	EAN 4003773-	↔ mm		Head	Handles	Cutting capacities		Dimensions				⚖ g	
						⊙ mm	⊙ mm	T1 mm	L3 mm	W3 mm	W4 mm		T2 mm
23 01 140	041290	140		polished	plastic coated	2.5	1.6	7.0	35.0	12.5	3.0	4.5	75