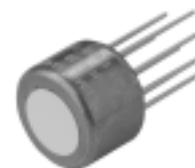


PCB rotary switch for print mounting



recommended accessories:

	no. of poles	material of contacts	connection method	no. of positions	drive	front protection	part no.	technical drawing	mounting dimension	components layout
PCB rotary switch for print mounting	1 (maintained action)	gold	PCB straight	3 with limit	screw-driver	IP 67	27.11003.23	1	-	1
				4 with limit	screw-driver	IP 67	27.11004.23	1	-	1
				5 with limit	screw-driver	IP 67	27.11005.23	1	-	1
				6 with limit	screw-driver	IP 67	27.11006.23	1	-	1
				8 with limit	screw-driver	IP 67	27.11008.23	1	-	1
				10 without limit	screw-driver	IP 67	27.11000.23	1	-	1
PCB rotary switch for print mounting	3 (maintained action)	gold	PCB straight	2 with limit	screw-driver	IP 67	27.11302.23	2	-	2
				3 with limit	screw-driver	IP 67	27.11303.23	2	-	2

technical drawing as of page LEIM.3, mounting dimensions, components layouts as of page LEIM.4

PCB rotary switch for front panel mounting MicroLeim



recommended accessories:

	no. of poles	material of contacts	connection method	no. of positions	drive	front protection	part no.	technical drawing	mounting dimension	components layout
PCB rotary switch for front panel mounting MicroLeim	1 (maintained action)	gold	PCB straight	3 with limit	rotation knob	IP 65	27.31003.23	3	1	1
				4 with limit	rotation knob	IP 65	27.31004.23	3	1	1
				5 with limit	rotation knob	IP 65	27.31005.23	3	1	1
				6 with limit	rotation knob	IP 65	27.31006.23	3	1	1
				8 with limit	rotation knob	IP 65	27.31008.23	3	1	1
				10 without limit	rotation knob	IP 65	27.31000.23	3	1	1

technical drawing as of page LEIM.3, mounting dimensions, components layouts as of page LEIM.4

Leim

electrical characteristics

contact resistance

< 20 mΩ

current

minimum: 1 mA

insulation resistance

at 500 VDC: > 1000 MΩ

life time

LEIM: 100'000 operations

switch rating

12 V/0.5 A - 24 V/0.3 A

voltage

minimum: 10 mV

mechanical characteristics

contacts

2 μ Au on Ni

electric strength

1 kV, 50 Hz

resistance to shock

10 g (IEC 512-4)

resistance to vibrations

500 Hz/10 bis 1,5 mm amplitude (IEC 512-4)

climatic characteristics

damp heat

LEIM: 21 days

degree of protection

MicroLeim: to IP 65

saline mist

LEIM: 48 hours

service temperature

-40°C to + 85°C

soldering

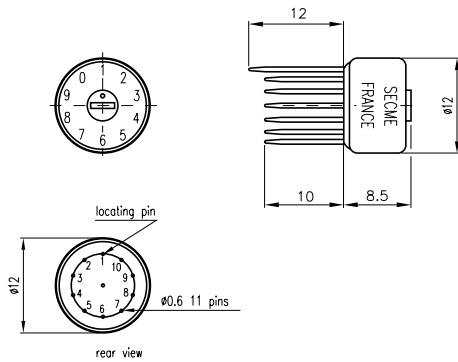
at 250°C 5 s

storage temperature

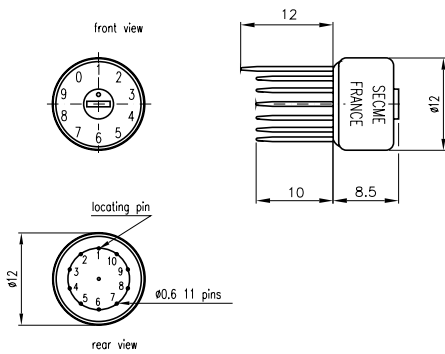
-55°C + 85°C

Technical Drawing

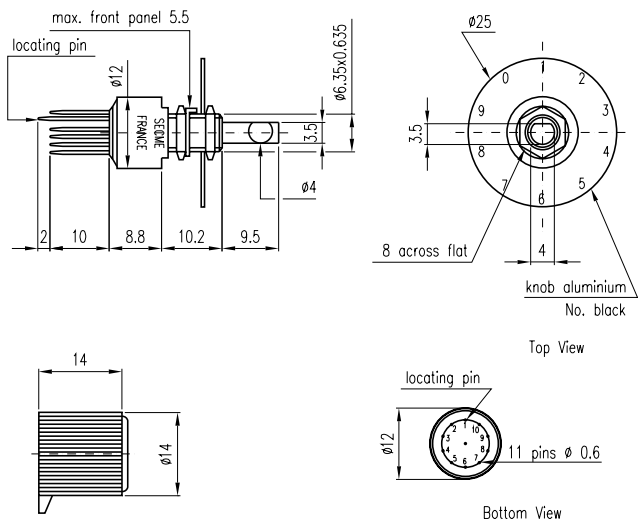
1 PCB rotary switch for print mounting page LEIM.1



2 PCB rotary switch for print mounting page LEIM.1

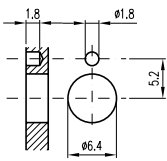


3 PCB rotary switch for front panel mounting MicroLeim page LEIM.1



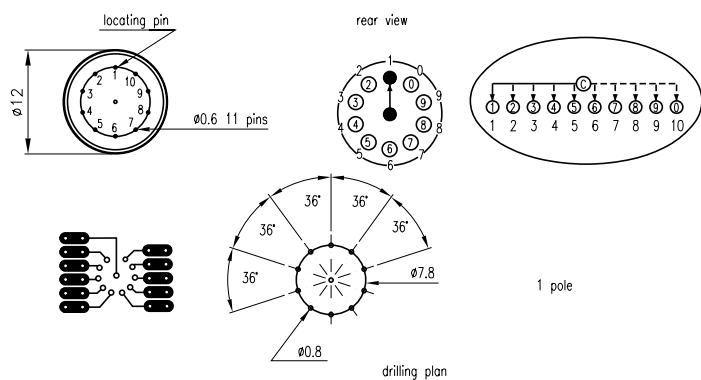
Mounting Dimension

1 PCB rotary switch for front panel mounting MicroLEim page LEIM.1



Components Layouts

1 PCB rotary switch for print mounting, PCB rotary switch for front panel mounting MicroLeim page LEIM.1, LEIM.1



2 PCB rotary switch for print mounting page LEIM.1

