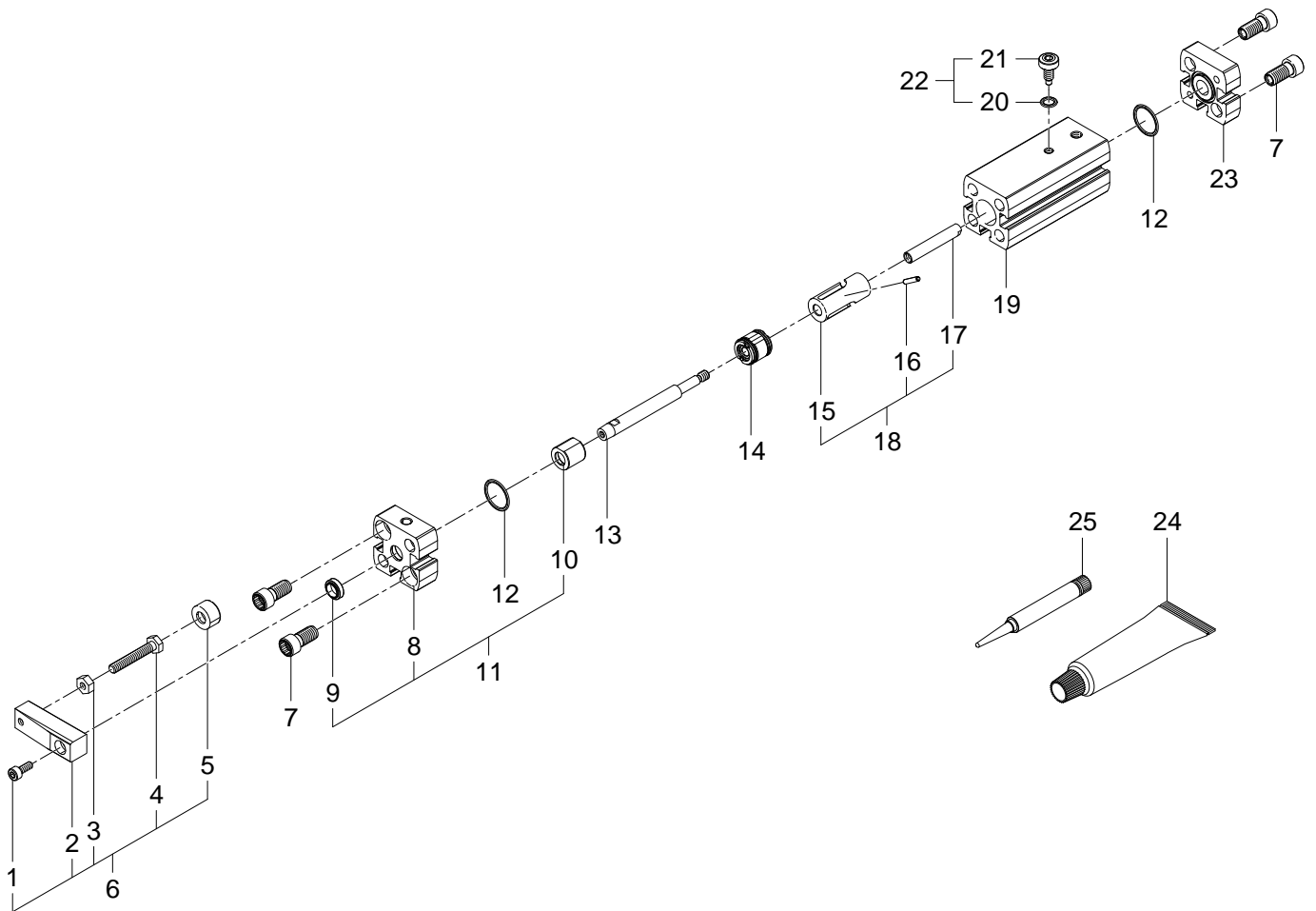


535435 CLR-16-10-R-P-A Linear/swivel clamp - Series: All



535435 CLR-16-10-R-P-A Linear/swivel clamp - Series: All

Pos.	Part no.	Type	Note	Qty.	Unit
A	673616	CLR-16-...-P-A Set of wearing parts	Spare parts: 5, 9, 12, 14, 20, 24, 25	1	PC
1	207734	ISO 4762-M4X10-8.8 Socket head screw	Tightening torque 3 Nm/ 2.2 lbf ft	1	PC
2		CLR-16 Clamping finger	Not available separately, see position 6	1	PC
3	200715	DIN 934-M4-6AU Hex nut	Tightening torque 0.5	1	PC
4	672297	M4X25 Hexagon head screw		1	PC
5	671069	8.2X11X6.5 Cover cap		1	PC
6	535552	CLR-16-FS Clamping arm		1	PC
7	658854	ADN-12/16 flange screw	Use locking compound. See position 25 Tightening torque 7.5 Nm/ 5.5 lbf ft	4	PC
8		CLR-16 Bearing cap	Not available separately, see position 11	1	PC
9	369059	WIFC1-8X11,5X3,2-TPE-U Wiper seal	Grease using during assembly. See position 24	1	PC
10		CLR-16 Bearing	Not available separately, see position 11	1	PC
11	669809	CLR-16 Bearing cap module		1	PC
12		B-16X0,6-N-NBR70 O-ring ISO3601	Grease using during assembly. See position 24 Not available separately, see position A	2	PC
13	669893	IRA-08-S0046,5-IK Piston rod	When ordering please specify the stroke (see type plate)	1	PC
14		BA-K10D-016-A Complete piston	Grease using during assembly. See position 24 Not available separately, see position A	1	PC
15		CLR-16-10 Guide sleeve	Not available separately, see position 18 Grease using during assembly. See position 24	1	PC
16		DIN 7344-3X14 Spring pin	Not available separately, see position 18	1	PC
17	669894	CLR-16-10 Guide rod	When ordering please specify the stroke (see type plate) Tightening torque 2 Nm/ 1.5 lbf ft	1	PC
18	677723	CLR-16-10 Piston rod module		1	PC
19		CLR-16-10 Cylinder barrel	Not available	1	PC
20		B-4,5X1-N-NBR70 O-ring ISO3601	Not available separately, see position 22+999 Grease using during assembly. See position 24	1	PC
21		CLR-16 Guide pin	Not available separately, see position 22 Use locking compound. See position 25	1	PC
22	669840	CLR-16 Pin module	Tightening torque 3 Nm/ 2.2 lbf ft	1	PC
23		CLR-16 End cap	Not available	1	PC
24	684474	LUB-KC1 SILIKONFREI 20ML Lubricating grease		1	PC
25	8181256	CYBERBOND TM44 TB1ML Adhesive bonding agent		1	PC