



Main

Commercial Status	Commercialised
Range of product	Preventa Safety automation
Product or component type	Non-safe communication module
Device short name	XPSMCM
Range compatibility	Preventa XPSMCM
Type of connector	RJ45
Number of port	2
Method of access	Slave
Transmission rate	10/100 Mbit/s
Communication port protocol	Modbus TCP/IP
Product certifications	CULus TÜV
Quality labels	CE

Complementary

Current consumption	0.125 mA
[Us] rated supply voltage	24 V (- 20...20 %) DC
Power dissipation in W	3 W
Cable length	100 m
Local signalling	Green/Red LED with STS marking for communication status Green/Red LED with NET marking for connection state Red LED with E EX marking for external error Red LED with E IN marking for internal error Green LED with RUN marking for operating Green LED with ON marking for power ON
Connections - terminals	1-wire captive screw clamp terminals, removable terminal block 2-wire captive screw clamp terminals, removable terminal block
Cable cross section	(0.2...2.5 mm ² - AWG 24...AWG 14) solid cable without cable end (0.2...1 mm ² - AWG 24...AWG 18) solid cable without cable end (0.5...1.5 mm ² - AWG 20...AWG 16) flexible cable with cable end, with double bezel (0.25...2.5 mm ² - AWG 23...AWG 14) flexible cable with cable end, without bezel (0.25...2.5 mm ² - AWG 23...AWG 14) flexible cable with cable end, with bezel (0.25...1 mm ² - AWG 23...AWG 18) flexible cable with cable end, without bezel (0.2...2.5 mm ² - AWG 24...AWG 14) flexible cable without cable end (0.2...1.5 mm ² - AWG 24...AWG 16) flexible cable without cable end
Service life	20 yr
Insulation	250 V AC between power supply and housing conforming to EN/IEC 61800-5-1
Mounting support	Omega 35 mm DIN rail conforming to EN 50022
Width	22.5 mm
Height	99 mm
Depth	114.5 mm
Product weight	0.3 kg

Environment

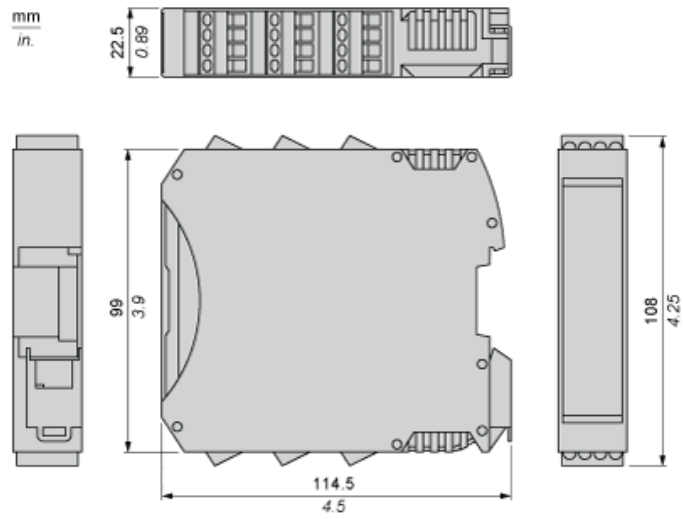
IP degree of protection	IP20
Number of terminals	2
Electromagnetic compatibility	Susceptibility to electromagnetic fields - test level 30 V/m, 1.4 GHz...2 GHz conforming to EN/IEC 61000-4-3 Susceptibility to electromagnetic fields - test level 10 V/m, 80...1000 MHz conforming to EN/IEC 61000-4-3 Electrostatic discharge immunity test - test level 20 kV, on air conforming to EN/IEC 61000-4-2 Electrostatic discharge immunity test - test level 6 kV, on contact conforming to EN/IEC 61000-4-2
Ambient air temperature for operation	-10...55 °C
Ambient air temperature for storage	-20...85 °C
Relative humidity	10...95 %
Pollution degree	2
Operating altitude	2000 m
Vibration resistance	+/-0.35 mm (f = 10...55 Hz) conforming to EN/IEC 61496-1
Shock resistance	10 gn (duration = 16 ms) shocks : 1000 shocks on each axis EN/IEC 61496-1
Overvoltage category	II

Offer Sustainability

Sustainable offer status	Green Premium product
RoHS (date code: YYWW)	Compliant - since 1450 - Schneider Electric declaration of conformity
REACH	Reference not containing SVHC above the threshold
Product environmental profile	Available
Product end of life instructions	Available

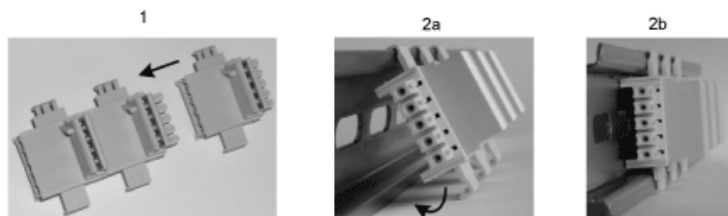
Dimensions

Screw Terminal



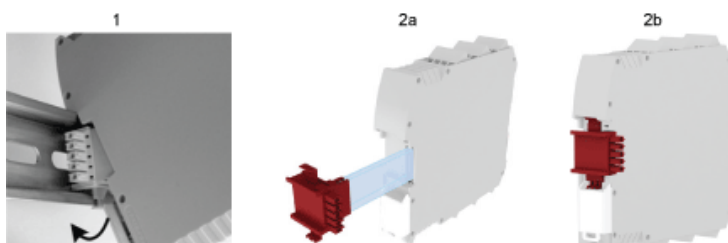
Mounting Safety Controller CPU with Module(s)

Mount BackPlane Connector on Rail



- 1 : Connect as much Backplane Connector as module to be install.
- 2 : Fix the connectors to the rail (Top first).

Mount Safety Controller CPU with Other Module(s)



- 1 : Mount controller CPU and modules on rail.
- 2 : Make sure that the controller CPU or the module(s) are plugged on the BackPlane connector.

Connection & Schema

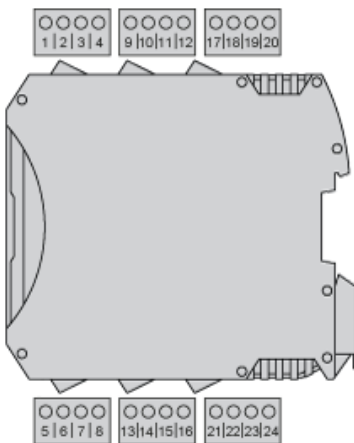
Modbus TCP Connector



Description	MBTCP (Modbus TCP/IP) standard communication device
Wiring	PIN/ Signal 1/ Tx+ 2/ Tx- 3/ Rx+ 4/ not connected 5/ not connected 6/ Rx- 7/ not connected 8/ not connected
Data sets	Input status, input diagnostics, fieldbus input status, probe status, safety output status, safety output diagnostics

Wiring

Terminal Designation



Terminal	Signal	Description
1	24 VDC	24 Vdc power supply
2	-	Not connected
3		
4	0 VDC	0 Vdc power supply
5	-	Not connected
6		
7		
8		

Wiring Example

