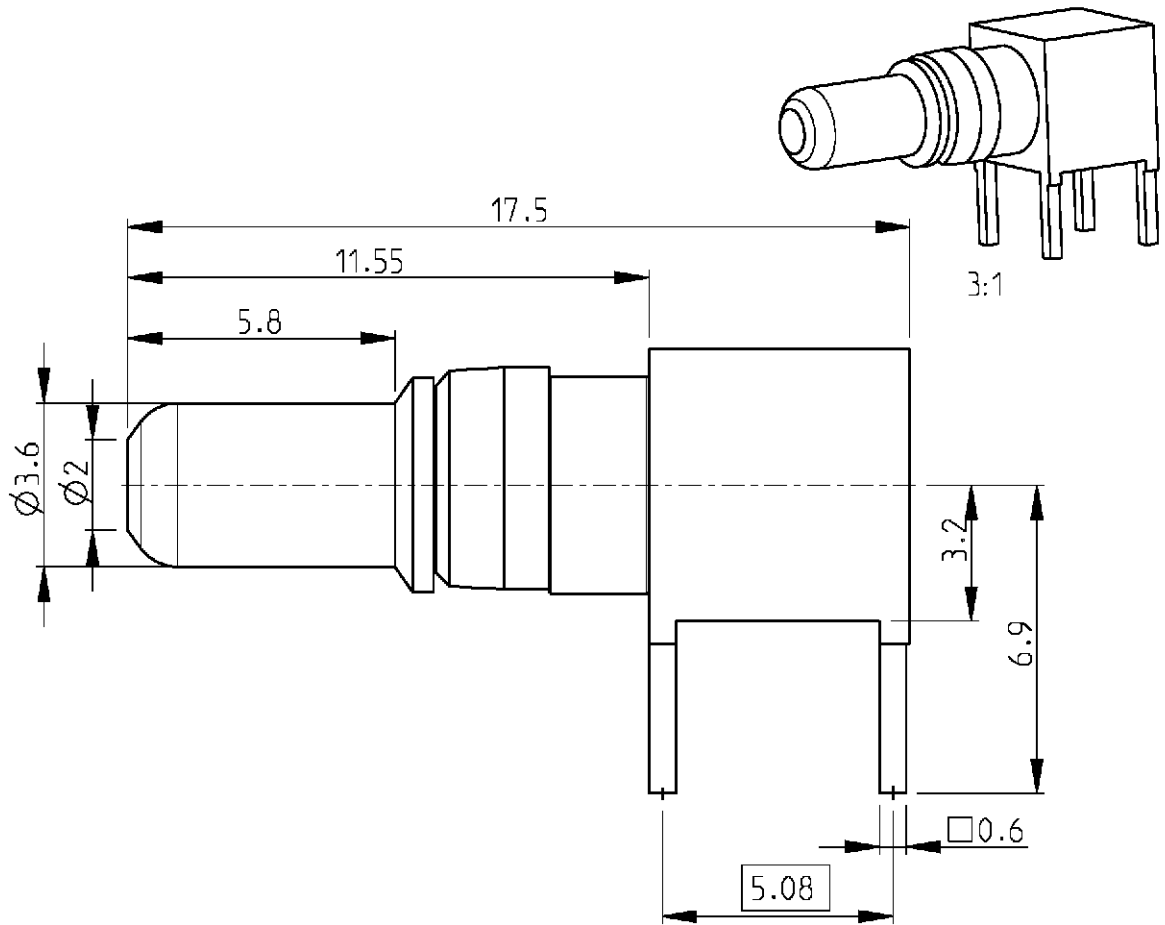


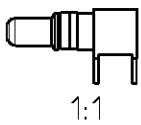
LOC	DIST	REVISIONS				
P	LTR	DESCRIPTION	DATE	DWN	APVD	
GW	-	A	-	19APR2001	BL	KM



2) All dimensions are max unless otherwise specified.

1) Application : DIN 41612 type M.

Cross reference table				
Old part number	Tyco part number	Current	Material	Plating
C42334-A347-A102	1-1393589-8	25 A	Brass	1 $\mu$ m Au or PD in contact area



2000  
RELEASED FOR PUBLICATION

THIS DRAWING IS UNPUBLISHED.  
COPYRIGHT 2000 BY TYCO ELECTRONICS CORPORATION. ALL RIGHTS RESERVED.

DIMENSIONS: mm	DWN	19APR2001	MATERIAL	-	FINISH	-
	CHR	19APR2001	Tyco Electronics Oostkamp - Belgium			
TOLERANCES UNLESS OTHERWISE SPECIFIED:	APVD	19APR2001				
0 PLC $\pm$	PRODUCT SPEC	-	High current plug with PCB connection			
1 PLC $\pm$	APPLICATION SPEC	-	SIZE	CAGE CODE	DRAWING NO	RESTRICTED TO
2 PLC $\pm$	WEIGHT	-	A 4	00779	C=1-1393589-8	-
3 PLC $\pm$			CUSTOMER DRAWING			
4 PLC $\pm$			SCALE	SHEET	OF	REV
ANGLES $\pm$			6/1	1	1	A