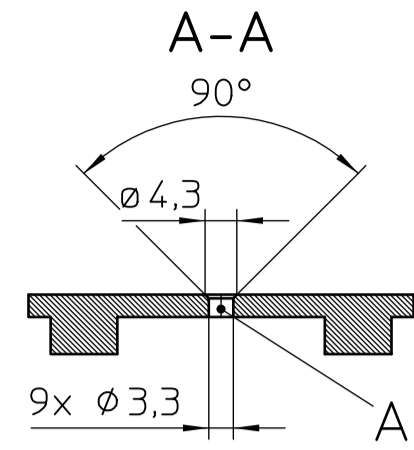
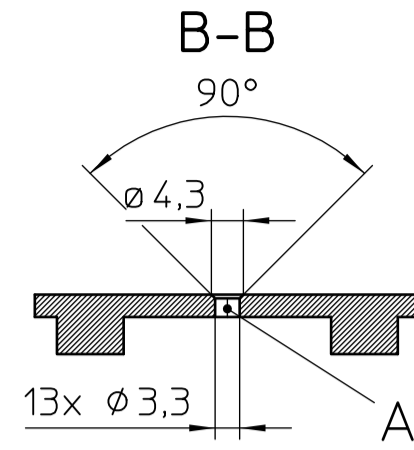


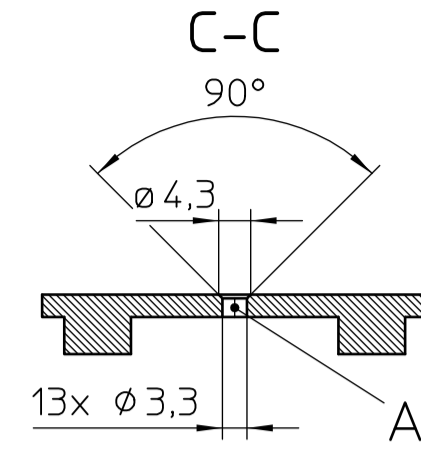
UTA 89



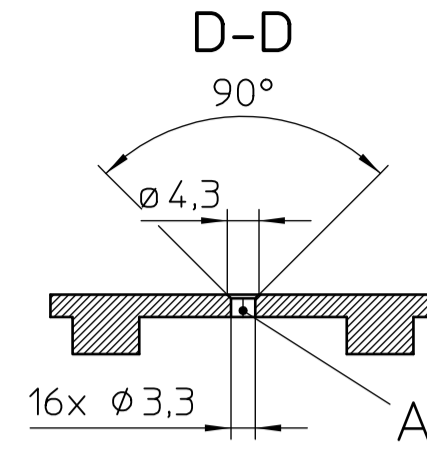
UTA 107



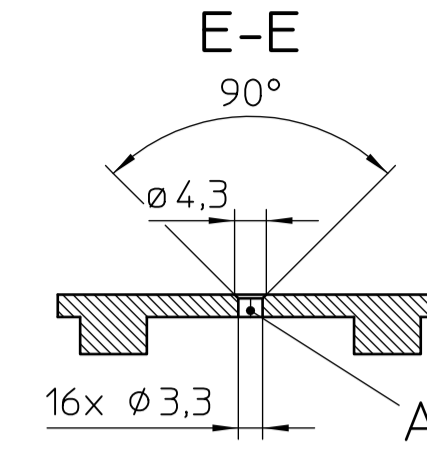
UTA 130



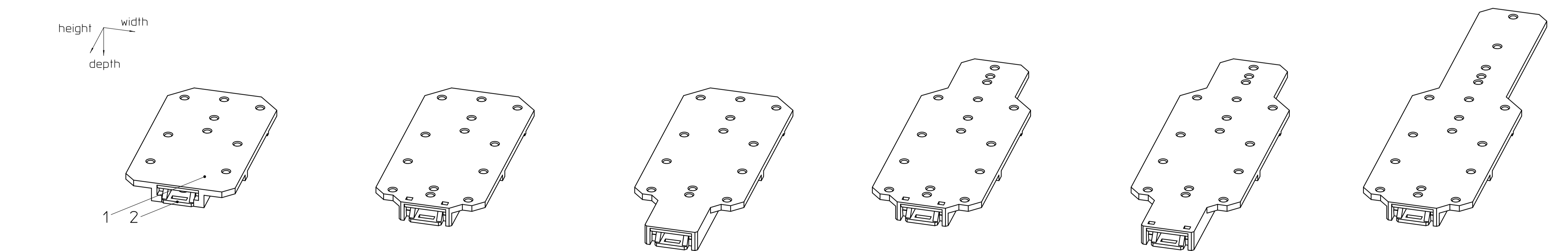
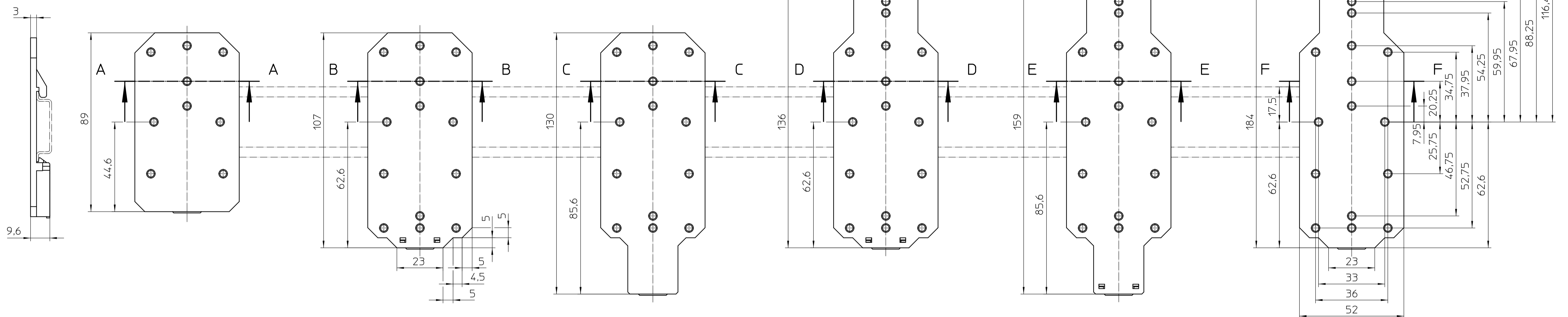
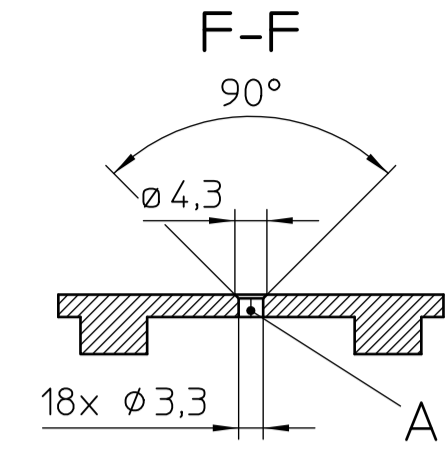
UTA 136



UTA 159



UTA 184



Transfer or duplication of this document as well as the utilization or communication of its content are not permitted unless express consent is given by Phoenix Contact AG. All rights reserved in case of patent, utility model or design patent registrations.

Weitergabe sowie Vervielfältigung dieses Dokuments, Verwertung und Mitteilung seines Inhalts sind verboten, soweit nicht ausdrücklich gestattet. Alle Rechte vorbehalten, in besonderen Fällen.

General Information

- 1. UTA Platte
- 2. Foot catch

- A. Clearance hole for M3 screw or rivets
core hole for M4 thread
- B. Mounting rail like EN 60715: TH35-7.5/15 or
mounting rail TH 35-15x2.3 similar to EN 60715

- Simplified representation
- Document excluded from change process
- CAD Data see Download-Center on www.phoenixcontact.com
- Linear dimensions (mm)

DIN A1	document-No. / Ri 00283280 / 03	date 31.07.2015	scale 1:1
ident.-No.	document-type Customer drawing	description UTA . . . LOCHBILD	
page 1	of 1		