

Mod. G7550 - Fittings Series 7000 - Automation

Product code: G7550 8

Datasheet creation date: 11/12/2025 09:36

Check the most updated document online [click here](#)

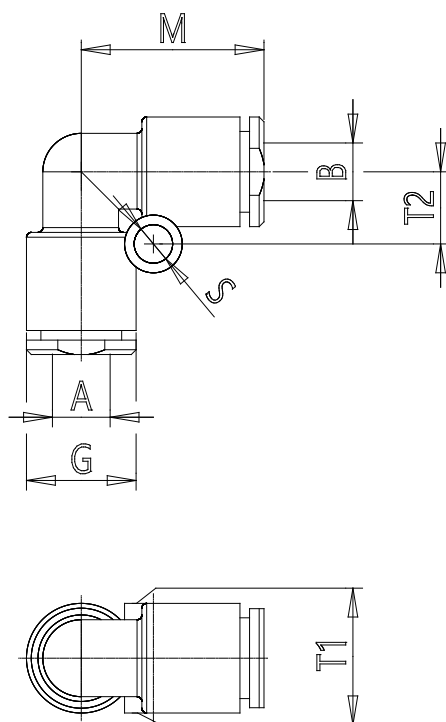


■ TECHNICAL DATA

Mod.	G7550 8
------	---------

Mod. G7550 - Fittings Series 7000 - Automation

Product code: G7550 8



DIMENSIONS

A (mm)	8
B (mm)	8
GD (mm)	13.7
M (mm)	21.5
S (mm)	4
T1 (mm)	13.7
T2 (mm)	8.5
Weight (g)	9