

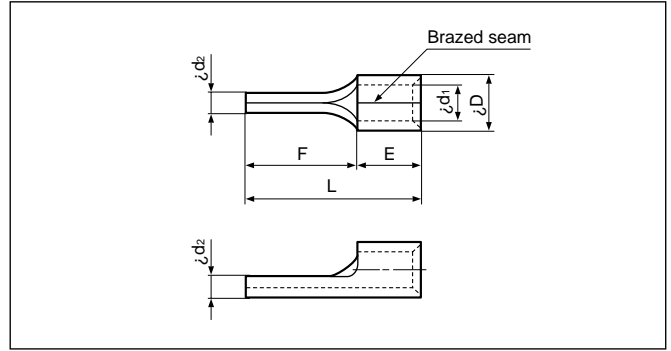
Solderless terminals

PIN Non-insulated



Actual

Refer to page 149 for actual size of the terminal. (except for PC-1.25 F-10, PC-1.25 F-9 & PC-2 F-7)



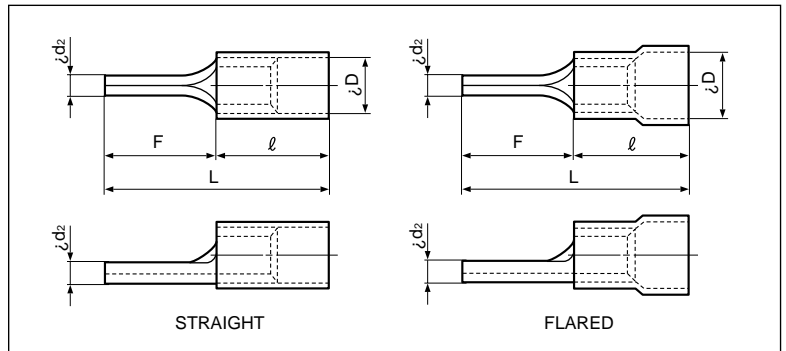
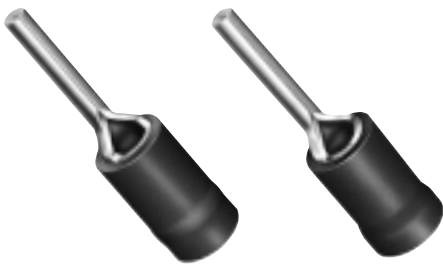
File No.: E42024

Applicable Wire AWG#(mm ²)	Part No.	Standard	Dimensions mm (in.)							Tool No.					Qty/box	
			ø d ₂	L	F	E	ø D	ø d ₁	Material Thickness	YHT-2622	YHT-2216	YA-1	YA-2	YA-4		BCT-0514
26 to 22 (0.2 to 0.5)	PC-0.5		1.2 (.047)	14.0 (.551)	10.0 (.394)	4.0 (.157)	2.2 (.087)	1.0 (.039)	0.5 (.020)	0	0	0	0	0	0	1,000
22 to 16 (0.25 to 1.65)	PC-1.25		1.9 (.075)	17.0 (.669)	12.0 (.472)	5.0 (.197)	3.4 (.134)	1.6 (.063)	0.8 (.031)	0	0	0	0	0	0	1,000
	PC-1.25 F-10			15.0 (.591)	10.0 (.394)					0	0	0	0	0	0	
	PC-1.25 F- 9			14.0 (.551)	9.0 (.354)					0	0	0	0	0	0	
	PC-1.25 F- 7			12.0 (.472)	7.0 (.276)					0	0	0	0	0	0	
16 to 14 (1.04 to 2.63)	PC-2		1.9 (.075)	17.0 (.669)	12.0 (.472)	5.0 (.197)	4.1 (.161)	2.3 (.091)	0.8 (.031)	0	0	0	0	0	0	1,000
	PC-2 F-17			22.0 (.866)	17.0 (.669)					0	0	0	0	0	0	
	PC-2 F- 9			14.0 (.551)	9.0 (.354)					0	0	0	0	0	0	
	PC-2 F- 7			12.0 (.472)	7.0 (.276)					0	0	0	0	0	0	
12 to 10 (2.63 to 6.64)	PC-5.5		2.7 (.106)	20.0 (.787)	14.0 (.551)	6.0 (.236)	5.7 (.224)	3.6 (.142)	1.0 (.039)	0	0	0	0	0	1,000	

Note:1) The part numbers indicated in the above table are for products with a brazed seam.
When ordering products with a butted seam, add the prefix "WS" to the part number (ex. PC-2 → **WS**PC-2).
2) Delivery lead times may vary depending on the product. Contact JST for details.

Solderless terminals

PIN Vinyl-insulated



File No.: E42024

Applicable Wire AWG#(mm ²)	Part No.		Standard	Dimensions mm (in.)							Color	Tool No.					Qty/box		
	Straight	Flared		ø d ₂	L	F	l	ø D		Material Thickness		YNT-2622	YNT-2216	YNT-1614	YNT-1210S	YA-1		YA-2	YA-4
26 to 22 (0.2 to 0.5)	VPC-0.5	FVPC-0.5		1.2 (.047)	18.0 (.709)	10.0 (.394)	8.0 (.315)	1.9 (.075)	2.9 (.114)	0.5 (.020)	Yellow	0			0	0	0	0	1,000
22 to 16 (0.25 to 1.65)	VPC-1.25	FVPC-1.25		1.9 (.075)	21.0 (.827)	12.0 (.472)	9.0 (.354)	3.2 (.126)	4.0 (.157)	0.8 (.031)	Red	0			0	0	0	0	1,000
	VPC-1.25 F-10	FVPC-1.25 F-10			19.0 (.748)	10.0 (.394)													
	VPC-1.25 F- 9	FVPC-1.25 F- 9			18.0 (.709)	9.0 (.354)													
	VPC-1.25 F- 7	FVPC-1.25 F- 7			16.0 (.630)	7.0 (.276)													
16 to 14 (1.04 to 2.63)	VPC-2	FVPC-2		1.9 (.075)	21.0 (.827)	12.0 (.472)	9.0 (.354)	3.9 (.154)	4.5 (.377)	0.8 (.031)	Blue	0			0	0	0	0	1,000
	VPC-2 F-17	FVPC-2 F-17			26.0 (1.024)	17.0 (.669)													
	VPC-2 F- 9	FVPC-2 F- 9			18.0 (.709)	9.0 (.354)													
	VPC-2 F- 7	FVPC-2 F- 7			16.0 (.630)	7.0 (.276)													
12 to 10 (2.63 to 6.64)	VPC-5.5	FVPC-5.5		2.7 (.106)	27.5 (1.083)	14.0 (.551)	13.5 (.531)	5.4 (.213)	6.8 (.268)	1.0 (.039)	Yellow			0					500

Note:1) The part numbers indicated in the above table are for products with a brazed seam.
When ordering products with a butted seam, add the prefix "WS" to the part number (ex. FVPC-2 → **FVWS**PC-2).
2) *The crimping will be more secure if the total cross-sectional area of the wire is at least 0.5 mm².
Examples: If the cross-sectional area of the wire is 0.3mm², fold the wire in two when crimping the terminal.
If the cross-sectional area of the wire is 0.5mm², crimp the terminal onto the wire as it is.

51 3) Delivery lead times may vary depending on the product. Contact JST for details.