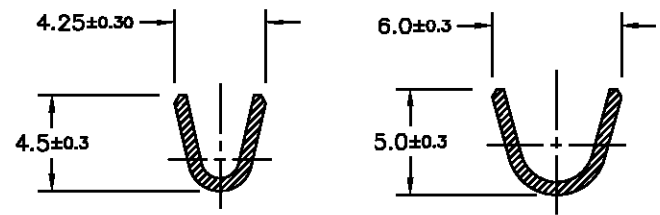
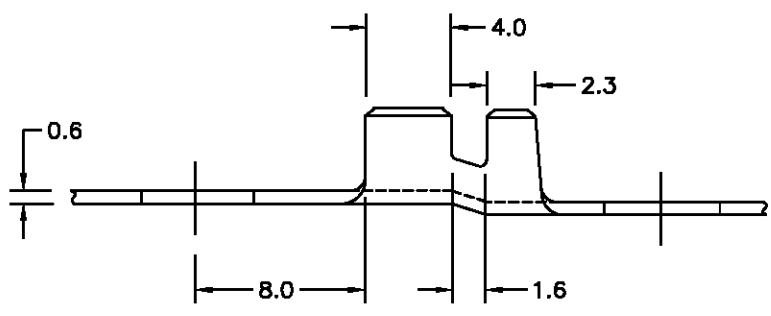
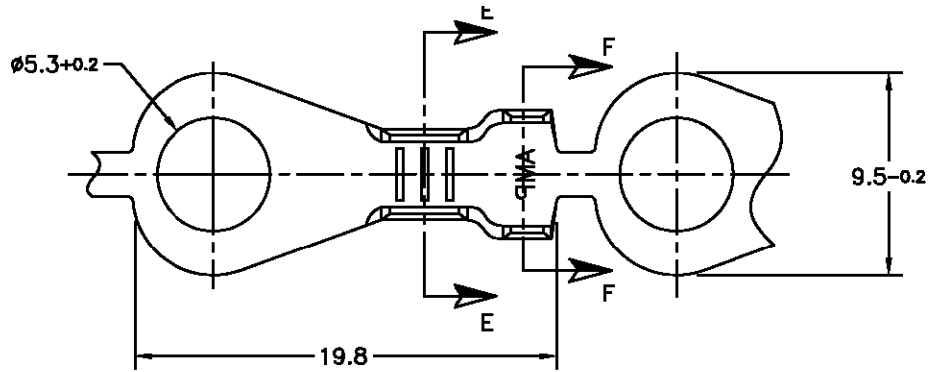




LOC AP DIST -

REVISIONS		DATE DATA	DWN DES	APVD APR
P	LTR LT	DESCRIPTION DESCRICAO		
E1		REVISED BY ECLB0431/01	AP	PLF
E2		REVISED PER ECO-10-000445	KK	AEG



SECTION E-E

SECTION F-F

1 - REBOBINAR COM PAPEL INTERCALADO. 1 - RE-REELING WITH PAPER INTERLEAVE.  
 2 - OBSOLETE PARTS: OBSOLETE CIS STREAMLINING PER D.RENAUD/D.SINISI

WIRE RANGE	ESTANHADO / TIN PLATED	LATÃO / BRASS	E	626033-5
1,0 - 2,5mm <sup>2</sup>	ESTANHADO / TIN PLATED	BRONZE FOSFOROSO / PHOSP. BRONZE	E	626033-4
	-----/-----	BRONZE FOSFOROSO / PHOSP. BRONZE	E	<del>626033-3</del>
INSULATION RANGE	ESTANHADO / TIN PLATED	LATÃO / BRASS	E	626033-2
	-----/-----	LATÃO / BRASS	E	626033-1
FINISH		MATERIAL	PART REV	PART NUMBER

DIMENSIONS: DIMENSÕES MM DWN/DES A.PERUSSI 02OCT2001 MATERIAL SEE TABLE FINISH ACABAMENTO SEE TABLE

CHK/CH P.L.FARIA 01OCT2001

APVD/APR L.W.PRADO 01OCT2001

PRODUCT SPEC -/- NAME DESIGNCO RING TONGUE

APPLICATION SPEC -/- SIZE A4 CAGE CODE 00779 DRAWING NO DESENHO NO 626033 RESTRICTED TO -/-

WEIGHT -/- CUSTOMER DRAWING/DESENHO DE CLIENTE SCALE ESCALA 3:1 SHEET FOLHA 1 OF DE 1 REV E2

1996.

RELEASED FOR PUBLICATION

ALL RIGHTS RESERVED. BY AMP INCORPORATED.

THIS DRAWING IS UNPUBLISHED. COPYRIGHT 19

TOLERANCES UNLESS OTHERWISE SPECIFIED: TOLERANCIA NCO ESPECIFICADAS  
 0 PLC/DEC ± -  
 1 PLC/DEC ± 0.3  
 2 PLC/DEC ± -  
 3 PLC/DEC ± -  
 4 PLC/DEC ± -  
 ANGLES/ANGULARES ± 1°

