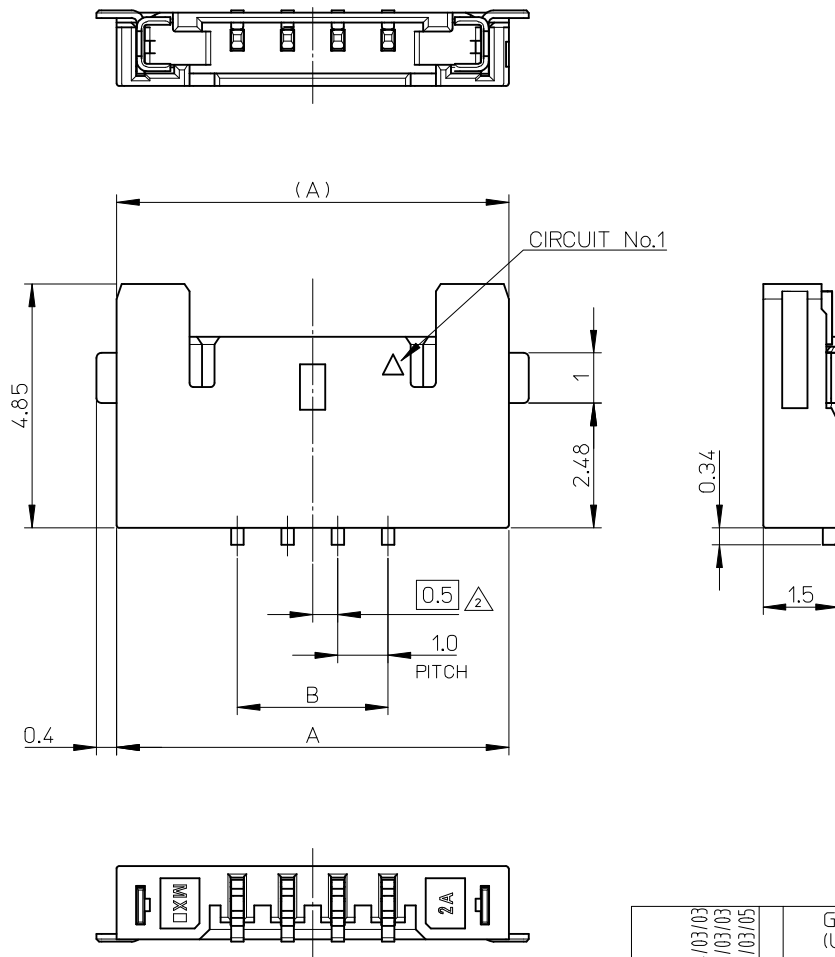


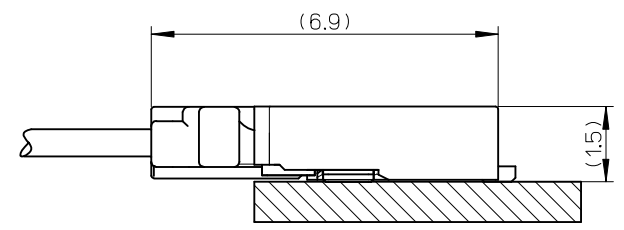
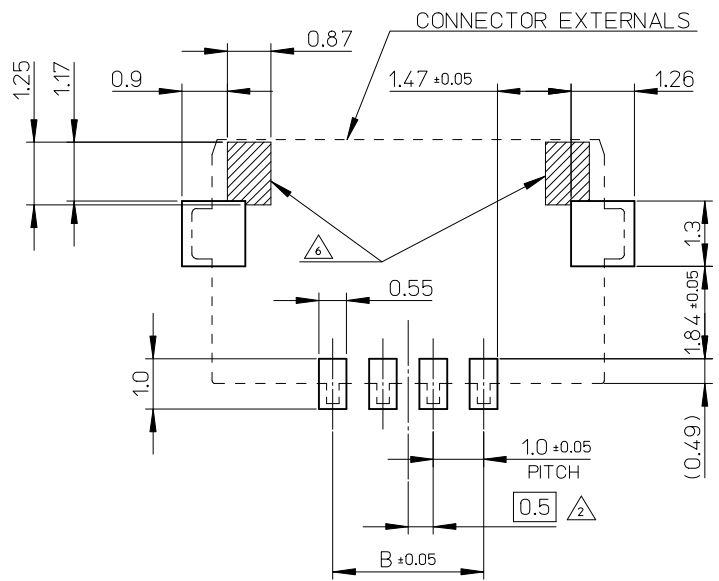
NOTE

1. 嵌合相手: 503764シリーズ
MATES WITH: 503764 SERIES
- △2 偶数極の製品に適用
APPLY EVEN CIRCUIT PRODUCTS.
3. 材質
MATERIAL
ハウジング: 耐熱性樹脂 UL94-V0 BLACK
HOUSING: HEATPROOF RESIN UL94-V0 BLACK
ターミナル: 銅合金
TERMINAL: COPPER ALLOY
ネール: 銅合金
NAIL: COPPER ALLOY
4. メッキ
PLATING
ターミナル: 下地 ニッケルメッキ、コンタクト及びピテル部 金メッキ
TERMINAL: UNDER NICKEL PLATING, CONTACT AND TAIL GOLD PLATING
ネール: 下地 ニッケルメッキ、錫メッキ
NAIL: UNDER NICKEL PLATING, TIN
5. ELV及びRoHS適合品
ELV AND RoHS COMPLIANT.
- △6 パターン禁止エリア
PATTERN PROHIBITION AREA
7. ソルダールテールとネールの平坦度: 0.1mmMAX.
SOLDER TAIL AND FITTING NAIL COPLANARITY: 0.1mmMAX.
8. コネクタの取扱いについては、AS-503764-001/002を参照
PLEASE REFER TO AS-503764-001/002



3.0	7.8	5037630491	4
1.0	5.8	5037630291	2
B	A	EMBOSSED PACKAGE	CIRCUIT
		ORDER No.	
CONNECTOR SERIES No. 503763 - **91			

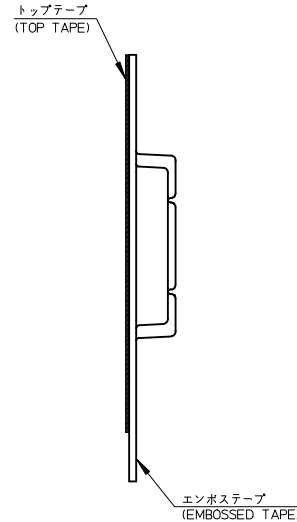
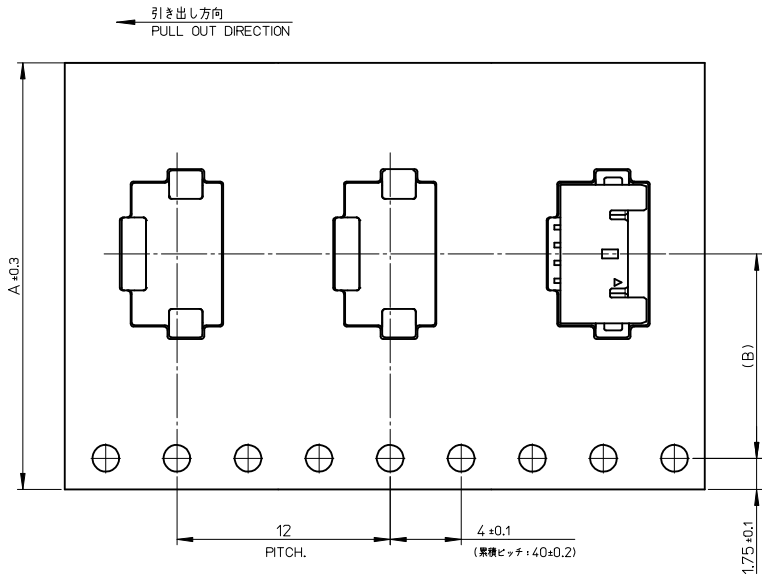
REVISED EC NO: J2014-1278 DRWN: YWAKE 2014/03/03 CHKD: KASAKAWA 2014/03/03 APPR: NUKITA 2014/03/05	GENERAL TOLERANCES (UNLESS SPECIFIED)		DIMENSION STYLE MM ONLY		SCALE 10:1	DESIGN UNITS METRIC	THIRD ANGLE PROJECTION
	10 UNDER	±0.2	DRAWN BY YWAKE	DATE 2014/03/03	TITLE 1.0 WIRE TO BOARD CONN. R/A H=1.5MM HEADER ASS'Y molex		
	10 OVER 30 UNDER	±0.25	CHECKED BY KASAKAWA	DATE 2014/03/03			
	30 OVER	±0.3	APPROVED BY NUKITA	DATE 2014/03/05			
ANGULAR ±1 °		MATERIAL NO.	DOCUMENT NO.				
A	DRAFT WHERE APPLICABLE MUST REMAIN WITHIN DIMENSIONS		SEE CHART		SD-503763-001		SHEET NO. 1 OF 2
		SIZE A3		THIS DRAWING CONTAINS INFORMATION THAT IS PROPRIETARY TO MOLEX INCORPORATED AND SHOULD NOT BE USED WITHOUT WRITTEN PERMISSION			



MATED CONNECTORS

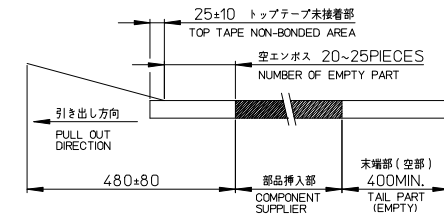
RECOMMENDED PATTERN LAYOUT (REF.)

SEE SHEET 1 EC NO: J2014-1278 DRWN: YWAKE 2014/03/03 CHKD: KASAKAWA 2014/03/03 APPR: NUKITA 2014/03/05	GENERAL TOLERANCES (UNLESS SPECIFIED)		DIMENSION STYLE MM ONLY	SCALE 10:1	DESIGN UNITS METRIC	THIRD ANGLE PROJECTION
	10 UNDER	± 0.2	DRAWN BY YWAKE	DATE 2014/03/03	TITLE 1.0 WIRE TO BOARD CONN. R/A H=1.5MM HEADER ASS'Y molex	
	10 OVER 30 UNDER	± 0.25	CHECKED BY KASAKAWA	DATE 2014/03/03		
	30 OVER	± 0.3	APPROVED BY NUKITA	DATE 2014/03/05		
ANGULAR ±1 °		MATERIAL NO. SEE SHEET 1		DOCUMENT NO. SD-503763-001	SHEET NO. 2 OF 2	
DRAFT WHERE APPLICABLE MUST REMAIN WITHIN DIMENSIONS		THIS DRAWING CONTAINS INFORMATION THAT IS PROPRIETARY TO MOLEX INCORPORATED AND SHOULD NOT BE USED WITHOUT WRITTEN PERMISSION				

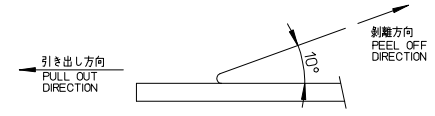


NOTE

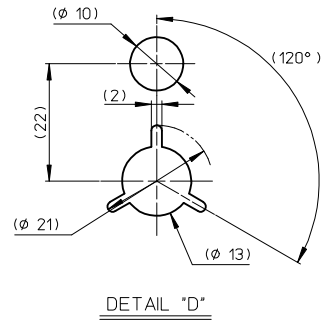
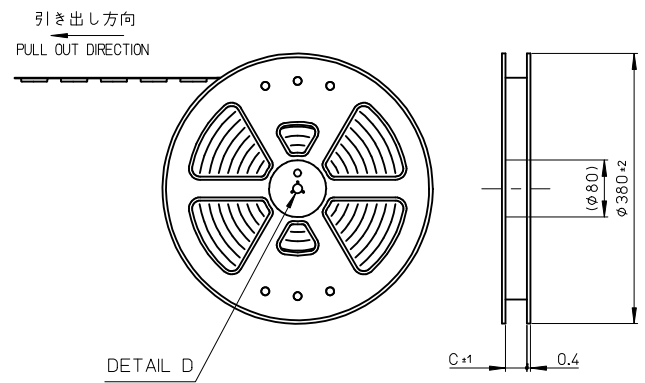
1. 梱包数量: 3000個 / リール
NUMBER OF CONNECTORS: 3000 PIECES/REEL
2. リードテープ長さ
LEAD TAPE LENGTH



3. トップテープの剥離強度: JES-59参照
剥離方向は下記参照。
<剥離速度: 300mm/minute (参考)>
PEELING OFF FORCE OF TOP TAPE: REFER TO JES-59
PEELING DIRECTION AS SHOWN IN FOLLOWING FIGURE.
<PEELING OFF SPEED: 300mm/minute (REFERENCE)>

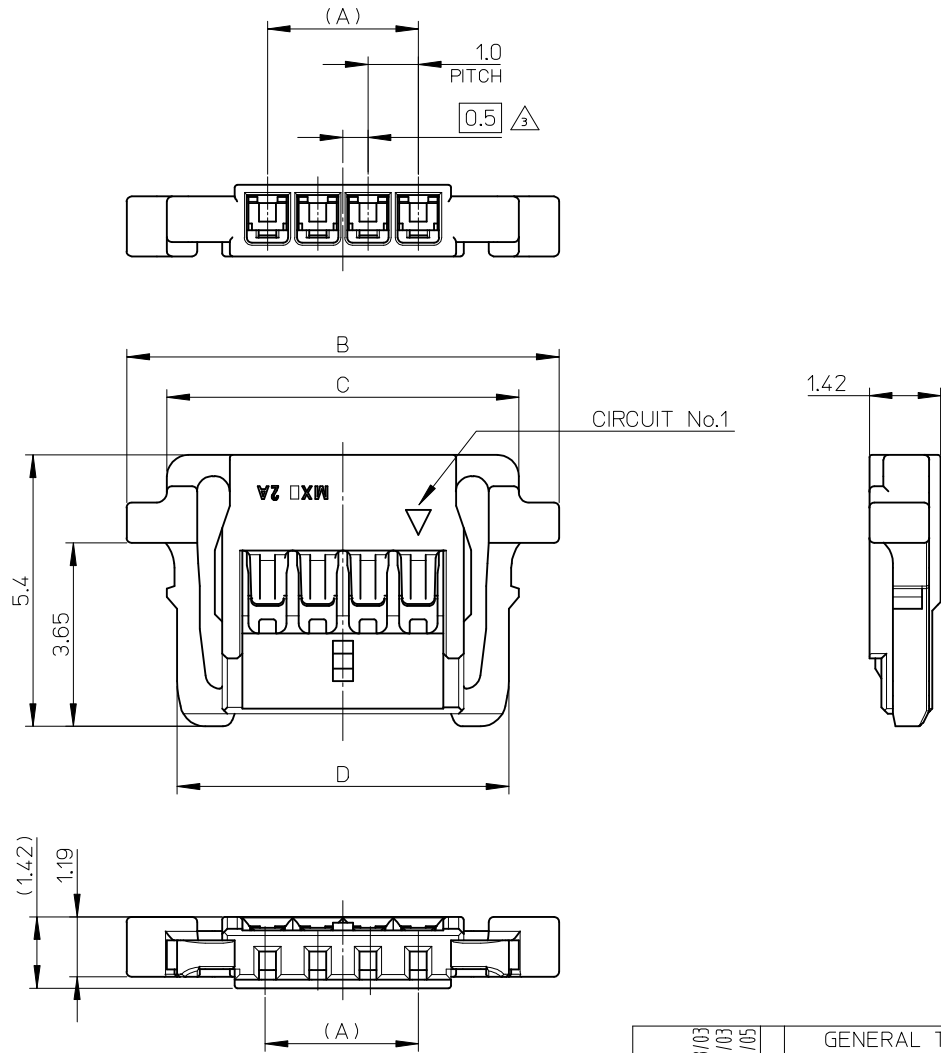


4. 材料 MATERIAL
キャリアテープ (CARRIER TAPE): PS
トップテープ (TOP TAPE): PE, PE-PET
リール: PS (リサイクル材を含む) RECYCLE MATERIAL CONTAINED
5. 製品詳細寸法についてはSD-503763-001を参照ください。
PLEASE REFER SD-503763-001 FOR THE DETAILED DIMENSION.
6. 環境負荷物質の管理の為「化学物質ガイドライン」の内容を満足する事。
CHEMICAL SUBSTANCES GUIDELINE MANAGEMENT OF ENVIRONMENTAL HAZARDOUS MATERIALS.



25.5	11.5	24	503763-0491	4
17.5	7.5	16	503763-0291	2
C	B	A	MATERIAL No.	CIRCUIT

RELEASED EC NO: J2014-1278 2014/02/28 DRAWN: YWAKE 2014/02/28 CHKD: KASAKAWA 2014/03/05 APPR: NUKITA	DESCRIPTION 10 UNDER ±0.2 10 OVER 30 UNDER ±0.25 30 OVER ±0.3 ANGULAR ±3 DRAFT WHERE APPLICABLE MUST REMAIN WITHIN DIMENSIONS	GENERAL TOLERANCES (UNLESS SPECIFIED)		DIMENSION STYLE MM ONLY		SCALE 5:1		DESIGN UNITS METRIC		THIRD ANGLE PROJECTION	
		DRAWN BY		DATE		TITLE		MATERIAL NO.		DOCUMENT NO.	
		YWAKE		2014/02/28		EMBOSSSED TAPE PACKAGE FOR 503763-**** (1.0WB CONN. H=1.5MM)		SD-503763-002		SHEET NO. 1 OF 1	
		KASAKAWA		2014/02/28		molex					
APPROVED BY		DATE		SIZE		THIS DRAWING CONTAINS INFORMATION THAT IS PROPRIETARY TO MOLEX INCORPORATED AND SHOULD NOT BE USED WITHOUT WRITTEN PERMISSION					
NUKITA		2014/03/05		A2							



NOTE

1. 嵌合相手：503763シリーズ
MATES WITH：503763 SERIES
2. 適合ターミナル：503765シリーズ
APPLICABLE TERMINAL：503765 SERIES
偶数極に適用
APPLY EVEN CIRCUIT PRODUCTS
4. 材料
MATERIAL
耐熱性樹脂 UL94-V0 BLACK
HEATPROOF RESIN UL94-V0 BLACK
5. ELV及びRoHS適合品
ELV AND ROHS COMPLIANT
6. コネクタの取扱いについては、AS-503764-001/002を参照
PLEASE REFER TO AS-503764-001/002

6.6	7	8.6	3.0	5037640401	4
4.6	5	6.6	1.0	5037640201	2
D	C	B	A	ORDER No.	CIRCUIT

RELEASED EC NO: J2014-1278 DRWN: YWAKE 2014/03/03 CHKD: KASAKAWA 2014/03/03 APPR: NUKITA 2014/03/05	GENERAL TOLERANCES (UNLESS SPECIFIED)		DIMENSION STYLE	SCALE	DESIGN UNITS	THIRD ANGLE PROJECTION	
			MM ONLY	10:1	METRIC		
	DESCRIPTION	10 UNDER	±0.2	DRAWN BY	DATE	TITLE	1.0 WIRE TO BOARD CONN. R/A H=1.5MM REC CRIMP HOUSING molex
		10 OVER 30 UNDER	±0.25	YWAKE	2014/03/03		
	30 OVER	±0.3	KASAKAWA	2014/03/03			
	ANGULAR	±3 °	NUKITA	2014/03/05			
	DRAFT WHERE APPLICABLE MUST REMAIN WITHIN DIMENSIONS		MATERIAL NO.	DOCUMENT NO.	SHEET NO.		
			SEE CHART	SD-503764-001	1 OF 1		
			SIZE A3	THIS DRAWING CONTAINS INFORMATION THAT IS PROPRIETARY TO MOLEX INCORPORATED AND SHOULD NOT BE USED WITHOUT WRITTEN PERMISSION			