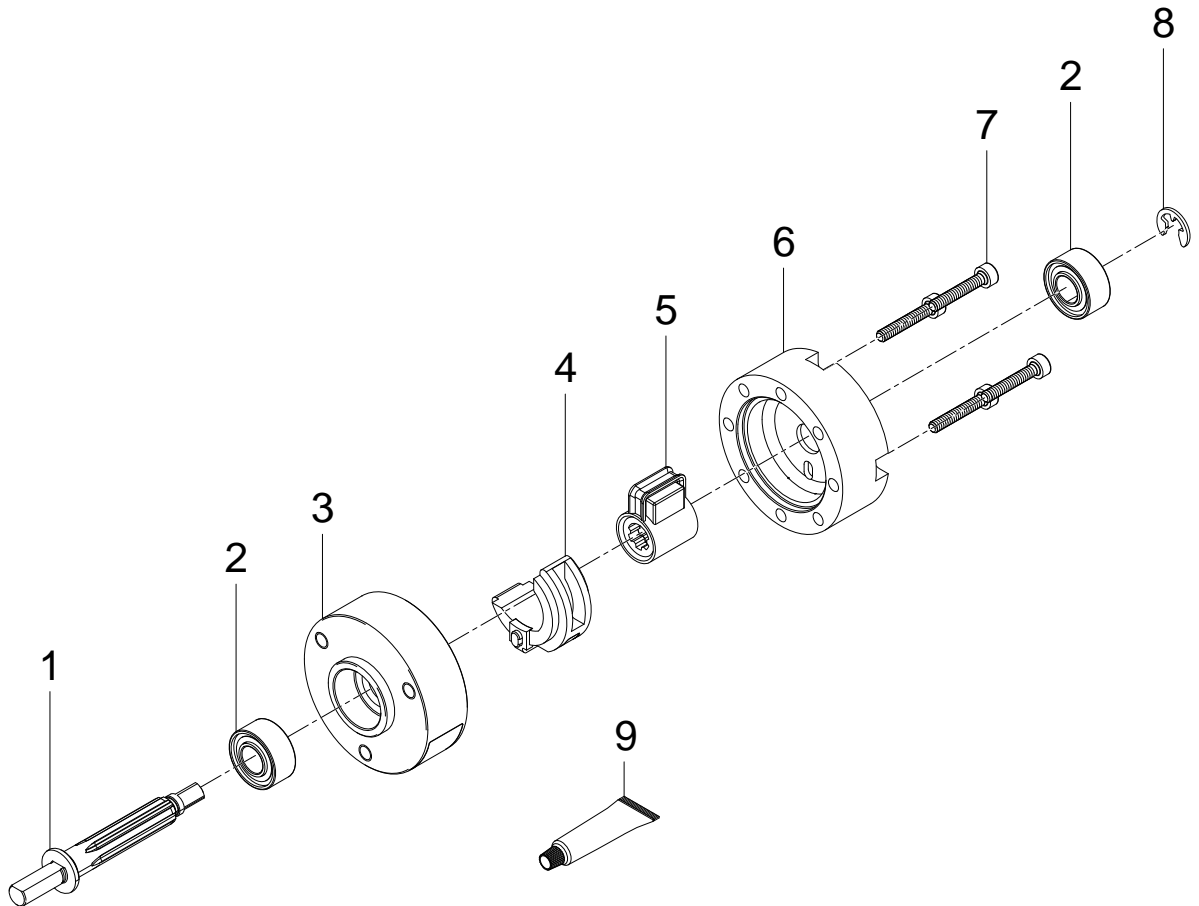


1845706 DRVS-6-90-P Semi-rotary drive - Series: All



1845706 DRVS-6-90-P Semi-rotary drive - Series: All

Pos.	Part no.	Type	Note	Qty.	Unit
A	8173165	DRVS-6 Set of wearing parts	Spare parts: 4, 5, 9 ▶ Replacing the wearing parts	1	PC
1		DSM- 6- Shaft	Not available	1	PC
2	365877	XF+D616-685-2Z Deep groove ball bearing		2	PC
3		DRVS-6:1 Housing	Not available Grease using during assembly. See position 9	1	PC
4		DSM- 6-90 Chamber seal	Not available separately, see position A Grease using during assembly. See position 9	1	PC
5		DSM-6 Vane	Not available separately, see position A	1	PC
6		DSM-6:RI Housing	Not available Grease using during assembly. See position 9	1	PC
7		ISO 4762-M2X12-8.8 Socket head screw	Not available	4	PC
8		DIN 6799-3,2 Retaining washer	Not available	1	PC
9	684474	LUB-KC1 SILIKONFREI 20ML Lubricating grease		1	PC