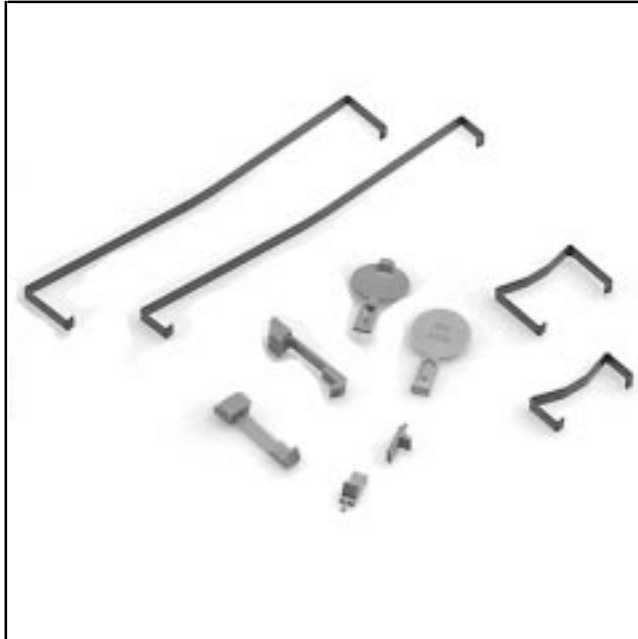


.100" × .100" Low Profile Header

Accessories

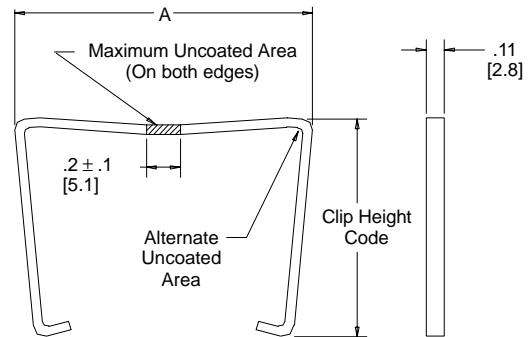


Connector Pin Qty	Dimension A
10	.81 [20.6]
14	1.02 [25.9]
16	1.12 [28.4]
20	1.32 [33.5]
24	1.52 [38.7]
26	1.63 [41.4]
30	1.83 [46.4]
34	2.03 [51.6]
40	2.33 [59.2]
50	2.83 [71.9]
60	3.33 [84.6]
64	3.53 [89.7]

3505-8XXX

Connector Pin Count:
(See Table)

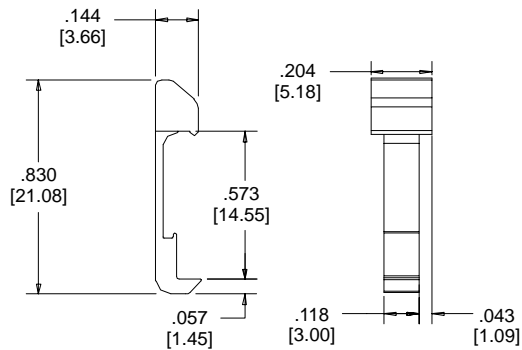
Clip Height Code
0 = .31 [7.9] for Sockets W/O Strain Relief
1 = .53 [13.5] for Sockets with Strain Relief



Short/Long Socket Retainer Clip

75

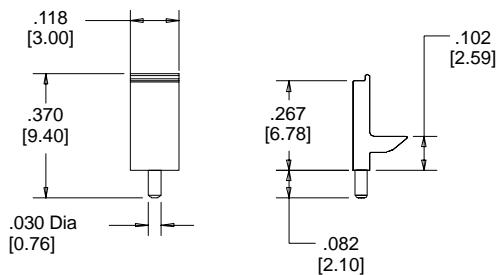
Part Number	Material	Color
3505-33	Nylon	Gray



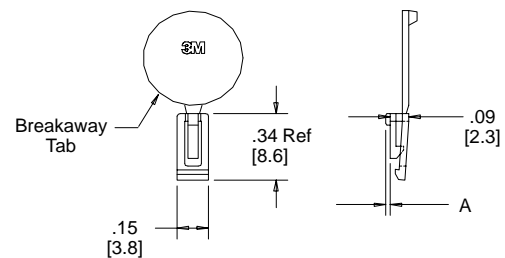
Long Snap In Latch

Part Number	Material	Color	Dim A
3518	PBT	Gray	.02

Part Number	Material	Color
3201-1	PBT	Gray
3201-2	PCT	Beige



Polarizing Post



Note: #2216 B/A Scotchweld can be used to adhere keys.

Polarizing Keys

TS-0167-09
Sheet 1 of 1

3M Electronic Products Division

6801 River Place Blvd.
Austin, TX 78726-9000

For technical, sales or ordering information call
800-225-5373