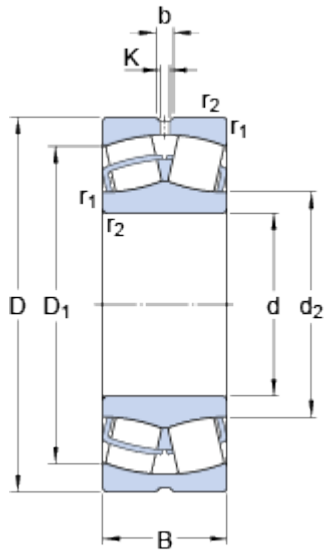


# 22311 E

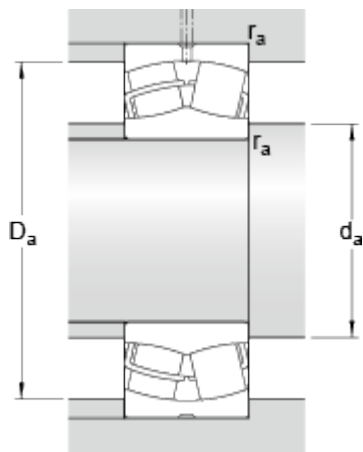
SKF Explorer

## Dimensions



d		55	mm
D		120	mm
B		43	mm
d <sub>2</sub>	≈	70.1	mm
D <sub>1</sub>	≈	102	mm
b		5.5	mm
K		3	mm
r <sub>1,2</sub>	min.	2	mm

## Abutment dimensions



d <sub>a</sub>	min.	66	mm
D <sub>a</sub>	max.	109	mm
r <sub>a</sub>	max.	2	mm

## Calculation data

Basic dynamic load rating	C	280	kN
Basic static load rating	C <sub>0</sub>	280	kN
Fatigue load limit	P <sub>u</sub>	30	kN
Reference speed		4300	r/min
Limiting speed		5600	r/min
Calculation factor	e	0.35	
Calculation factor	Y <sub>1</sub>	1.9	
Calculation factor	Y <sub>2</sub>	2.9	
Calculation factor	Y <sub>0</sub>	1.8	

## Mass

