



ENGLISH

Datasheet

**RS Pro 19in Cabinet, Wall Mount, 4U, 292 x 502 x 300mm**

RS Stock No: **745-0749**



## Product Details

RS Pro wall cabinet measuring 292 x 502 x 300 mm, is the ideal solution for small cable and patch panel installations. The 19-Inch cabinet with 4 rack units, has open frame and hinged front mounting angle that allows for maximum access, which means simple and fast installation. The wall mount cabinet meets EIA310-E standards.

## Features and Benefits

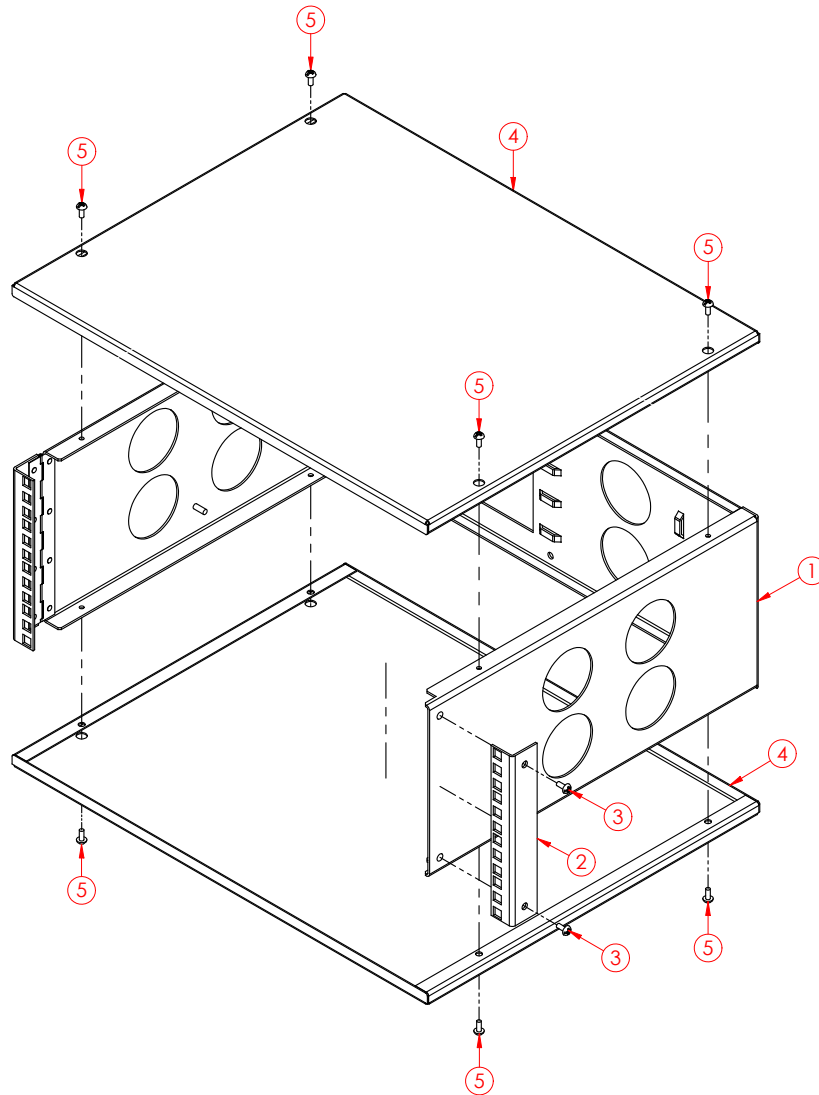
- Made from heavy duty steel
- Available in three heights, 2U, 4U and 6U
- Ample cable access openings at rear and side
- Large cut out at rear panel fits over wall power points
- Numerous cable tie off points provided



**Specifications:**

External Case Material	Steel
External Depth	300 mm
External Dimensions	292 x 502 x 300 mm
External Height	292 mm
External Width	502 mm
Frame Depth	502 mm
Rack Units	4 U
Type	Wall Mount
Mounting Size	19 in
Standards Met	RoHS Compliant, EIA 310-E

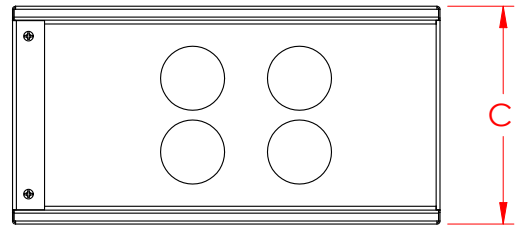
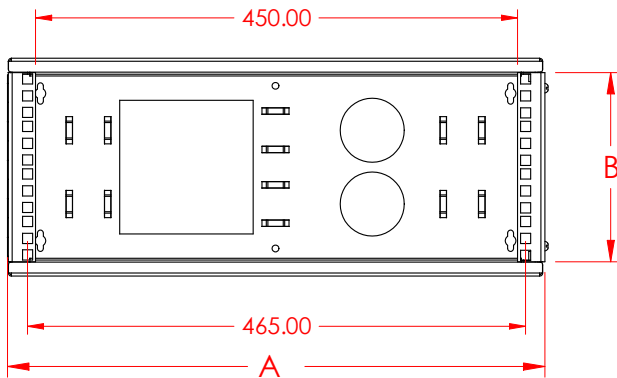
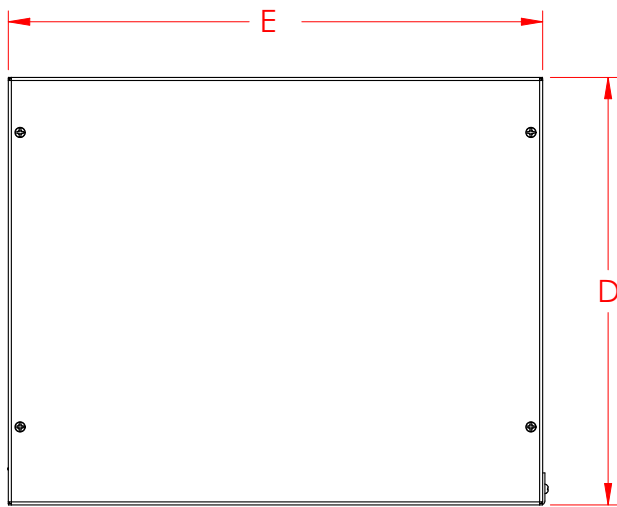
## Open Wall Mount Frame 2U,4U,6U



Item	Part Name	Material	Qty.
1	Weld Ass'y Wall Frame	SPCC-SD 2.00 mm.	1
2	Mounting Panel	SPCC-SD 2.00 mm.	1
3	Screw M5 X 10 Philips Pan HD BLK	Steel	2
4	Top / Bottom Cover (Option)	SPCC-SD 2.00 mm.	2
5	Screw M5 X 10 Philips Pan HD BLK (Option For Cover)	Steel	8

# AVAILABLE DIMENSIONS : Open Wall Mount Frame 2U,4U,6U

- HEIGHT : 2U,4U,6U (B)
- WIDTH : 502 (A)
- DEPTH : 300 (D)



ARTICLE #	MODEL	FRONT FRAME A+B	CABINET (EXDXC)
7450730	2U X 300 mm.	502 X 88.90	500 X 300 X 114.90
7450749	4U X 300 mm.	502 X 177.80	500 X 300 X 203.80
7450742	6U X 300 mm.	502 X 266.70	500 X 300 X 292.70