

Rating

Model No.	Rated voltage	Applicable wire / Rated current				Terminal screw	Tightening torque
PTU-10	800V	0.75mm ² 11A		1.25mm ² 15A		M3×7.3L Pan head sems(±)	0.5~ 1.2N·m
PTU-20		1.25mm ² 16A		2mm ² 22A			
PTU-30	1000V	2mm ² 22A		3.5mm ² 30A		M4×8L Pan head sems(±)	1.2~ 1.8N·m
PTU-40		3.5mm ² 30A		5.5mm ² 40A			
PTU-80		5.5mm ² 40A	8mm ² 50A	14mm ² 75A		M5×10L Pan head sems(±)	2.0~ 3.0N·m
PTU-100		8mm ² 50A	14mm ² 75A	22mm ² 95A	(38mm ²) (100A)		
PUW-10	600V	0.75mm ² 11A		1.25mm ² 16A		M3×7.3L Pan head sems(±)	0.5~ 1.2N·m
PUW-20	800V	1.25mm ² 16A		2mm ² 22A			
PUW-30		2mm ² 22A		3.5mm ² 30A		M4×8L Pan head sems(±)	1.2~ 1.8N·m
PUW-40		3.5mm ² 30A		5.5mm ² 40A			

※ (): It is possible to wire with applicable solderless terminal which is non-JIS standard.

Rating of certified products

Withstand voltage: 2200V / 1min
Ambient temperature: -25~+60°C



File No.LR109308



File No.E113585

Model No.	Approval	Rated voltage (V)	Rated current (A)	Wire range (AWG)	Certification No.fi
PTU-10	UL, CSA	600	15	20~16	See File No.
	TÜV		15	20~16	R50110181
PTU-20	UL, CSA	600	19	16~14	See File No.
	TÜV		22	20~14	R50110181
PTU-30	UL, CSA	600	27	14~10	See File No.
	TÜV		30	18~12	R50110181
PTU-40	UL, CSA	600	35	12~10	See File No.
	TÜV		40	18~10	R50110181
PTU-80	UL, CSA	600	68	6	See File No.
	TÜV		75	12~6	J50110184
PTU-100	UL/cUL	600	95	10~4	See File No.
	TÜV		95	10~4	J50110184
PUW-10	UL/cUL	300	16	20~16	See File No.
	TÜV	600	16	20~16	R50110181
PUW-20	UL, CSA	600	19	18~14	See File No.
	TÜV		22	20~14	R50110181
PUW-30	UL/cUL	600	30	18~12	See File No.
	TÜV		30	18~12	R50110181
PUW-40	UL/cUL	600	35	18~10	See File No.
	TÜV		40	18~10	R50110181

Specifications

Operating situation	Ambient temperature -25°C~+60°C (No freezing or condensation) Relative humidity 45~85%
Temperature rise	35degrees or less at conductive plate
Insulation resistance	200MΩ or more between live parts and between each live part and metal part (DC500V mega)
Power-frequency withstand voltage	3000V / 1minute
Impulse withstand voltage	8KV
Applicable standard	JIS C 8201-7-1 NECA C 2811

Materials

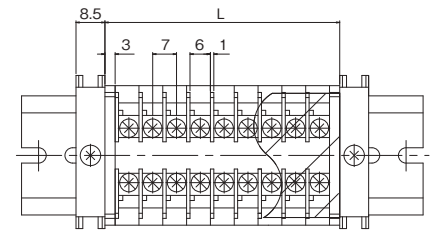
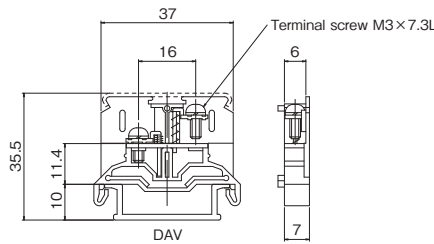
Body	modified PPE (black)	UL94V-0
Conductive plate	C2680R (Ni)	
Terminal screw	SWCH (Zn+trivalent chromate-plating)	
Spring	SUS	
Washer	SPCC (Zn+trivalent chromate-plating)	
End plate	modified PPE (black)	UL94V-0
Cover	PC (clear)	UL94V-0
Name plate	PVC (white)	



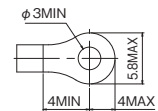
PTU-10

M3/1.25mm² 15A

RoHS



Applicable solderless terminal



Rating

Applicable wire / Rated current		UL, CSA	TÜV	Terminal screw	Tightening torque
0.75mm ²	1.25mm ²	AWG20~16 (stranded)	AWG20~16 (stranded)	M3 x 7.3L	0.5~1.2N·m
800V/11A	800V/15A	600V/15A	600V/15A	Pan head sems (±)	

Assembly terminal block

(assembled at the factory and shipped)

Order format:

PTUL2-10-□P (□ : No. of poles)

Total length of terminal block (L) = Terminal width (7mm) x No. of poles (□P) + End plate x 2 (6mm)

No. of poles (P)	1	2	3	4	5	6	7	8	9	10	11	12	13	14	15
Terminal length (L)	13	20	27	34	41	48	55	62	69	76	83	90	97	104	111
No. of poles (P)	16	17	18	19	20	21	22	23	24	25	26	27	28	29	30
Terminal length (L)	118	125	132	139	146	153	160	167	174	181	188	195	202	209	216

See "DAV4 Rail length" at page 21.

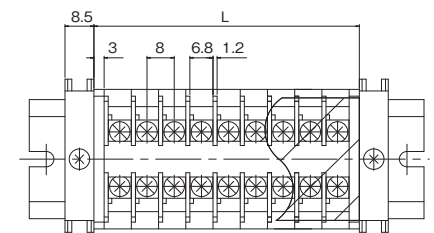
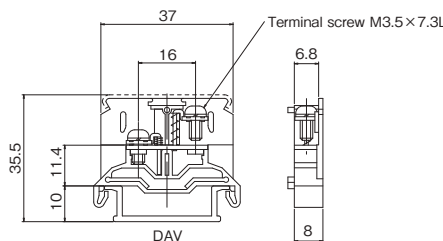
Terminal block	End plate	Cover	Name plate	Rail	Stopper	Short bar
PTU-10 (5.75g)	PTU-10L2 (2.30g)	CA-34	AM-10	DAV4	HDV-1 (17.8g)	SB (R) 7A-※, □B (R) 7A-※
Sales lot (100)	Sales lot (100)	Sales lot (20)	Sales lot (50)	Sales lot (100)	Sales lot (100)	—

※Short bar is option.

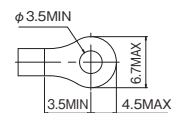
PTU-20

M3.5/2mm² 22A

RoHS



Applicable solderless terminal



Rating

Applicable wire / Rated current		UL, CSA	TÜV	Terminal screw	Tightening torque
1.25mm ²	2mm ²	AWG16~14 (stranded)	AWG20~14 (stranded)	M3.5 x 7.3L	0.8~1.4N·m
800V/16A	800V/22A	600V/19A	600V/22A	Pan head sems (±)	

Assembly terminal block

(assembled at the factory and shipped)

Order format:

PTUL2-20-□P (□ : No. of poles)

Terminal length of terminal block (L) = Terminal width (8mm) x No. of poles (□P) + End plate x 2 (6mm)

No. of poles (P)	1	2	3	4	5	6	7	8	9	10	11	12	13	14	15
Terminal length (L)	14	22	30	38	46	54	62	70	78	86	94	102	110	118	126
No. of poles (P)	16	17	18	19	20	21	22	23	24	25	26	27	28	29	30
Terminal length (L)	134	142	150	158	166	174	182	190	198	206	214	222	230	238	246

See "DAV4 Rail length" at page 21.

Terminal block	End plate	Cover	Name plate	Rail	Stopper	Short bar
PTU-20 (6.63g)	PTU-20L2 (2.35g)	CA-34	AM-10	DAV4	HDV-1 (17.8g)	SB (R) 8A-※, □B (R) 8A-※
Sales lot (100)	Saves lot (100)	Sales lot (20)	Sales lot (50)	Sales lot (100)	Sales lot (100)	—

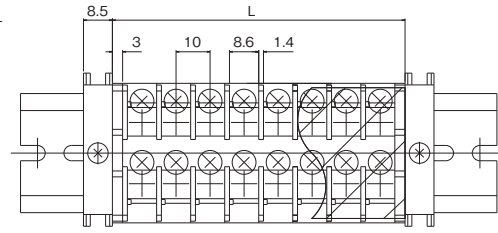
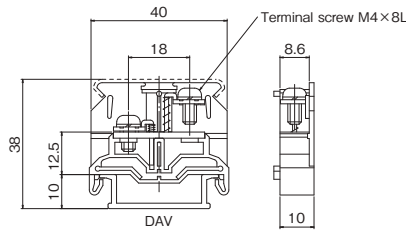
※Short bar is option.



PTU-30

M4/3.5mm² 30A

RoHS



Rating

Applicable wire/Rated current		UL, CSA	TÜV	Terminal screw	Tightening torque
2mm ²	3.5mm ²	AWG14~10(stranded)	AWG18~12(stranded)	M4×8L	1.2~1.8N·m
1000V/22A	1000V/30A	600V/27A	600V/30A	Pan head sems(±)	

Assembly terminal

(assembled at the factory and shipped)

Order format:

PTUL2-30-□P (□ : No. of poles)

Total length of terminal block (L) = Terminal width (10mm) × No. of poles (□P) + End plate × 2 (6mm)

No. of poles (P)	1	2	3	4	5	6	7	8	9	10	11	12	13	14	15
Terminal length (L)	16	26	36	46	56	66	76	86	96	106	116	126	136	146	156
No. of poles (P)	16	17	18	19	20	21	22	23	24	25	26	27	28	29	30
Terminal length (L)	166	176	186	196	206	216	226	236	246	256	266	276	286	296	306

See "DAV4 Rail length" at page 21.

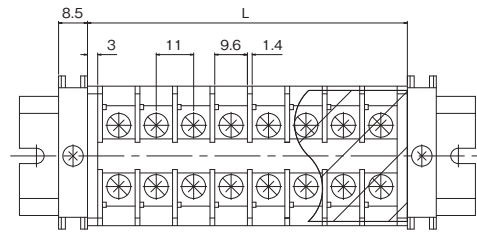
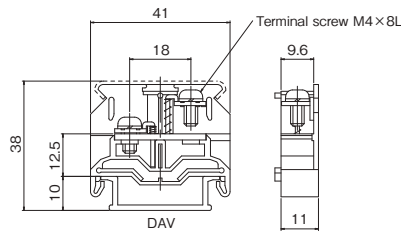
Terminal block	End plate	Cover	Name plate	Rail	Stopper	Short bar
PTU-30 (10.9g)	PTU-30L2 (2.25g)	CA-36 —	AM-10 —	DAV4 —	HDV-1 (17.8g)	SB(R)10-※, □B(R)10-※ —
Sales lot(100)	Sales lot(100)	Sales lot(20)	Sales lot(50)	Sales lot(100)	Sales lot(100)	—

※ Short bar is option.

PTU-40

M4/5.5mm² 40A

RoHS



Rating

Applicable wire/Rated current		UL, CSA	TÜV	Terminal screw	Tightening torque
3.5mm ²	5.5mm ²	AWG12~10(stranded)	AWG18~10(stranded)	M4×8L	1.2~1.8N·m
1000V/30A	1000V/40A	600V/35A	600V/40A	Pan head sems(±)	

Assembly terminal

(assembled at the factory and shipped)

Order format:

PTUL2-40-□P (□ : No. of poles)

Total length of terminal block (L) = Terminal width (11mm) × No. of poles (□P) + End plate × 2 (6mm)

No. of poles (P)	1	2	3	4	5	6	7	8	9	10	11	12	13	14	15
Terminal length (L)	17	28	39	50	61	72	83	94	105	116	127	138	149	160	171
No. of poles (P)	16	17	18	19	20	21	22	23	24	25	26	27	28	29	30
Terminal length (L)	182	193	204	215	226	237	248	259	270	281	292	303	314	325	336

See "DAV4 Rail length" at page 21.

Terminal block	End plate	Cover	Name plate	Rail	Stopper	Short bar
PTU-40 (11.65g)	PTU-40L2 (2.6g)	CA-36 —	AM-10 —	DAV4 —	HDV-1 (17.8g)	SB11-※, □B11-※ —
Sales lot(100)	Sales lot(100)	Sales lot(20)	Sales lot(50)	Sales lot(100)	Sales lot(100)	—

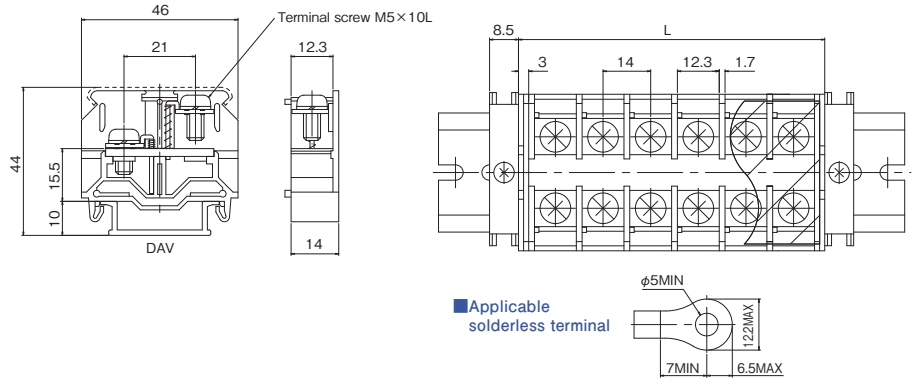
※ Short bar is option.



PTU-80

M5/14mm² 75A

RoHS



Rating

Applicable wire / Rated current			UL, CSA	TÜV	Terminal screw	Tightening torque
5.5mm ²	8mm ²	14mm ²	AWG8~6 (stranded)	AWG12~6 (stranded)	M5 × 10L Pan head sems(±)	2.0~3.0N·m
1000V/40A	1000V/50A	1000V/75A	600V/68A	600V/75A		

Assembly terminal

(assembled at the factory and shipped)

Order format:

PTUL-80-□P (□ : No. of poles)

Total length of terminal block (L) = Terminal width (14mm) × No. of poles (□P) + End plate × 2 (6mm)

No. of poles (P)	1	2	3	4	5	6	7	8	9	10	11	12	13	14	15
Terminal length (L)	20	34	48	62	76	90	104	118	132	146	160	174	188	202	216
No. of poles (P)	16	17	18	19	20	21	22	23	24	25	26	27	28	29	30
Terminal length (L)	230	244	258	272	286	300	314	328	342	356	370	384	398	412	426

See "DAV4 Rail length" at page 21.

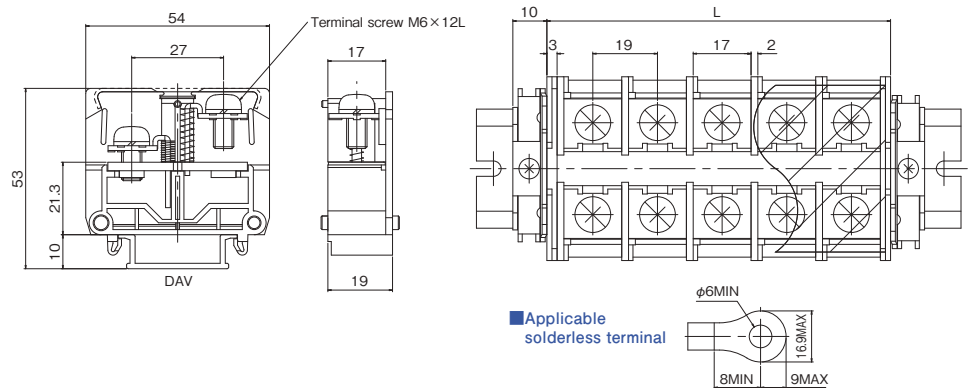
Terminal block	End plate	Cover	Name plate	Rail	Stopper	Short bar
PTU-80 (20.85g)	PTU-80L (3.55g)	CA-40 —	AM-10 —	DAV4 —	HDV-1 (17.8g)	SB14-※, □B14-※
Sales lot(50)	Sales lot(50)	Sales lot(20)	Sales lot(50)	Sales lot(100)	Sales lot(100)	—

※Short bar is option.

PTU-100

M6/22mm² 95A

RoHS



Rating

Applicable wire / Rated current				UL/cUL	TÜV	Terminal screw	Tightening torque
8mm ²	14mm ²	22mm ²	(38mm ²)	AWG10~4 (stranded)	AWG10~4 (stranded)	M6 × 12L Pan head sems(±)	2.5~3.7N·m
1000V/50A	1000V/75A	1000V/95A	1000V/(100A)	600V/95A	600V/95A		

※ () : It is possible to wire with applicable solderless terminal which is non-standard JIS.

Assembly terminal

(assembled at the factory and shipped)

Order format:

PTUL-100-□P (□ : No. of poles)

Total length of terminal block (L) = Terminal width (19mm) × No. of poles (□P) + End plate × 2 (6mm)

No. of poles (P)	1	2	3	4	5	6	7	8	9	10	11	12	13	14	15
Terminal length (L)	25	44	63	82	101	120	139	158	177	196	215	234	253	272	291
No. of poles (P)	16	17	18	19	20	21	22	23	24	25	26	27	28	29	30
Terminal length (L)	310	329	348	367	386	405	424	443	462	481	500	519	538	557	576

See "DAV4 Rail length" at page 21.

Terminal block	End plate	Cover	Name plate	Rail	Stopper	Short bar
PTU-100 (39.30g)	PTU-100L (5.00g)	CA-47 —	AM-10 —	DAV4 —	HDV-2 (21.60g)	—
Sales lot(20)	Sales lot(10)	Sales lot(20)	Sales lot(50)	Sales lot(100)	Sales lot(50)	—

※Short bar is option.