



HRC fuse base ceramic Sz. 1 3-pole 250A 690V (1000V) flat terminal

Model	
product brand name	SENTRON
product designation	LV HRC fuse base
design of the thread of the nut	M10
design of the thread of the connection screw	M10
General technical data	
number of poles	3
size of fuse system according to EN 60269-1	NH1
utilization category	Without
Supply voltage	
supply voltage	
• at AC	690 V
• at DC	690 V
Product details	
product component swivel-in mechanism	No
maximum short-circuit current breaking capacity (I _{cu})	
• at AC rated value	120 kA
• at DC rated value	120 kA
Connections	
connectable conductor cross-section on terminal strip	
• minimum	25 mm ²
• maximum	150 mm ²
tightening torque of the screw for securing the equipment maximum	6 N·m
tightening torque with screw-type terminals maximum	32 N·m
type of electrical connection	With flat-type terminal
• for main current circuit	with flat-type terminal
Mechanical Design	
height	246 mm
width	160 mm
depth	107 mm
fastening method	fixed mounting
fastening method bus-mounting	No
Net Weight	2.016 kg
Approvals Certificates	
Environment	General Product Approval



[Environmental Confirmations](#)



[Confirmation](#)



Maritime application other



[Confirmation](#)



Further information

Information on the packaging

<https://support.industry.siemens.com/cs/ww/en/view/109813875>

Information for data generation and storage

<https://support.industry.siemens.com/cs/ww/en/view/109995012>

Information- and Downloadcenter (Catalogs, Brochures,...)

<https://www.siemens.com/lowvoltage/catalogs>

Industry Mall (Online ordering system)

<https://mall.industry.siemens.com/mall/en/en/Catalog/product?mlfb=3NH8230>

Service&Support (Manuals, Certificates, Characteristics, FAQs,...)

<https://support.industry.siemens.com/cs/ww/en/ps/3NH8230>

Image database (product images, 2D dimension drawings, 3D models, device circuit diagrams, ...)

https://www.automation.siemens.com/bilddb/cax_en.aspx?mlfb=3NH8230

CAX-Online-Generator

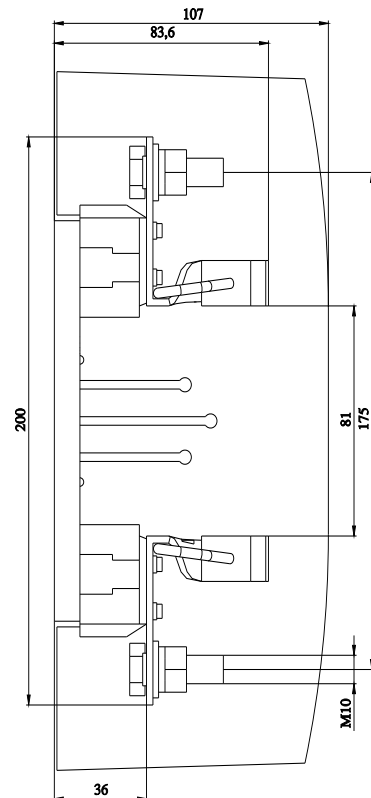
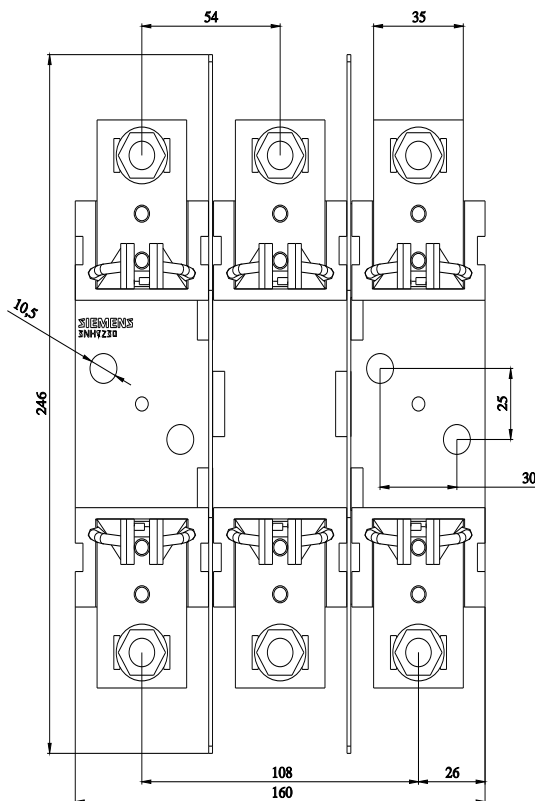
<https://www.siemens.com/cax>

Tender specifications

<https://www.siemens.com/specifications>

Characteristic curves

https://curves.simaris.siemens.com/curves/<mmp_prod_noCOMP='HAUPT'></mmp_prod_no>



last modified:

8/8/2025 