

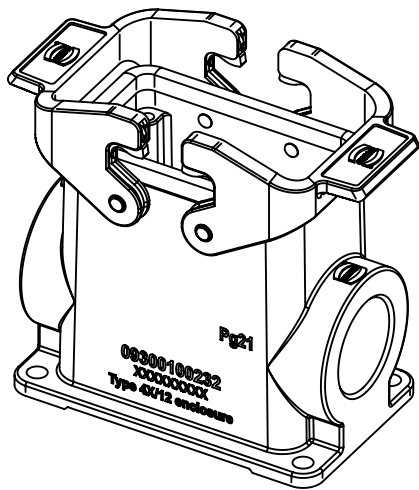
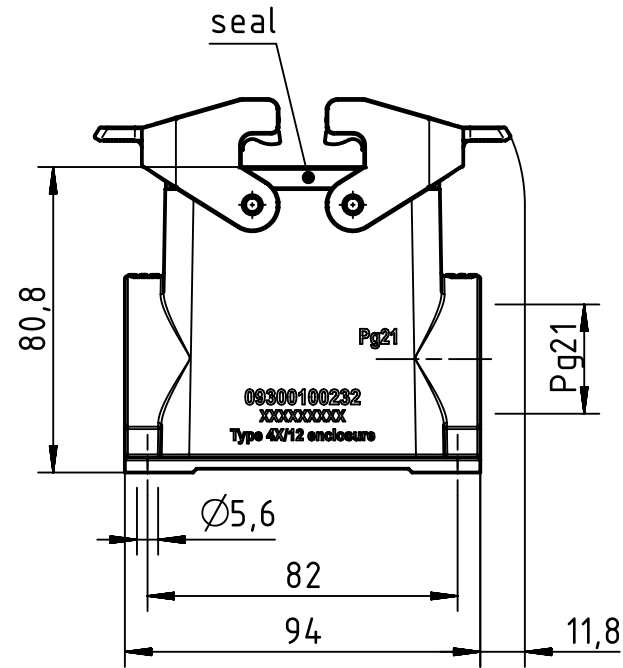
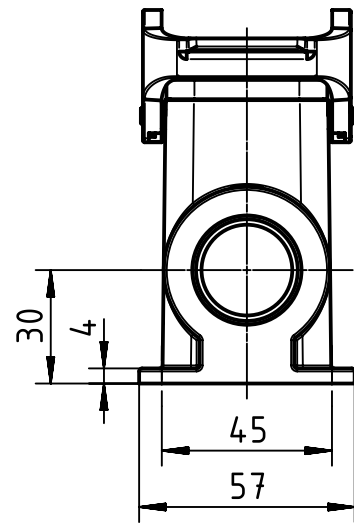
1 2 3 4 5 6

A

B

C

D



	All Dimensions in mm Original Size DIN A4		Scale 1:2	Free size tol.		Ref. Sub. TB 09 30 010 0232 v. 11.04.11		
		All rights reserved	Created by RULLKOETTER	Inspected by BERGHORN	Standardisation TIEMANNA	Date 2016-05-23	State Final Release	
Department EL PD - DE HARTING Electric GmbH & Co. KG D-32339 Espelkamp		Title Han B Base Surface HC 2 Levers 1 Entry P				Doc-Key / ECM-Nr. 100208946/UGD/004/B 500000101991		
			Type TB	Number 09 30 010 0232			Rev. B	Page 1/1