

CHARACTERISTICS

THE TOGGLE GUARD SHALL MEET THE REQUIREMENTS OF MIL-DTL-7703 AND MS25224-1

MATERIALS:

BUTTON MATERIAL TO BE MOLDED PLASTIC, RED #11136
 FEDERAL STANDARD 595
 BRACKET IS TO BE STEEL, PAINTED BLACK ENAMEL, SEMIGLOSS
 COLOR #27038 PER FEDERAL STD 595.

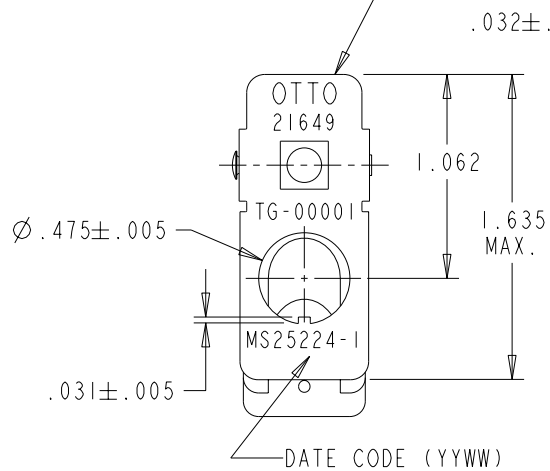
OPERATION:

FORCE TO OPEN AND CLOSE GUARD TO BE FROM 1 LBS. TO 2.5 LBS.
 (APPLIED TO LOCATIONS AS SHOWN)
 GUARD SHALL REMAIN IN EITHER THE OPEN OR CLOSED POSITION.

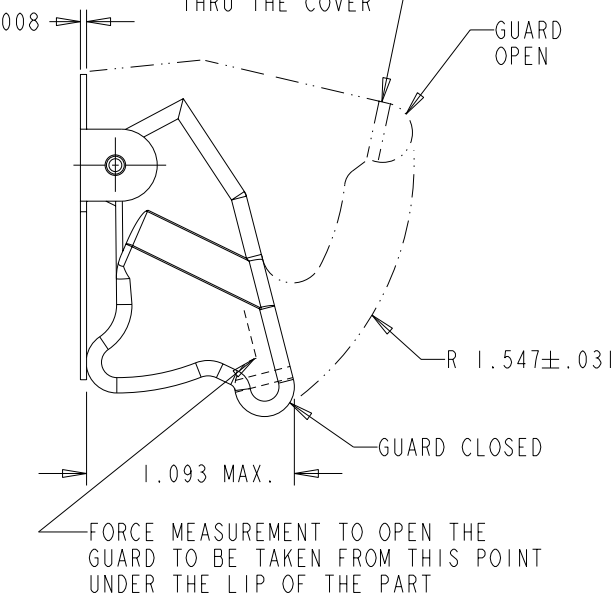
MARKING:

OTTO
 21649
 TG-00001
 MS25224-1
 DATE CODE (YYWW)

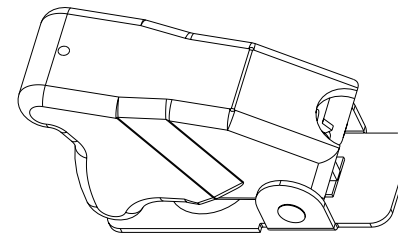
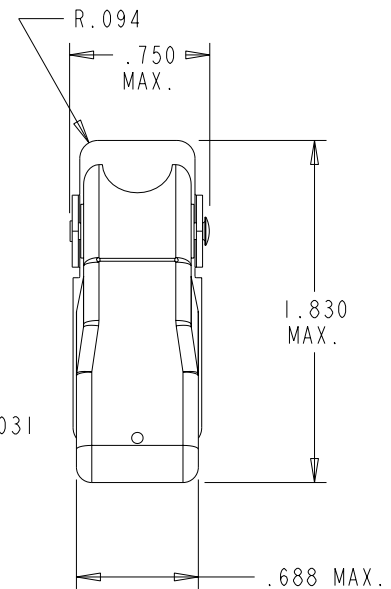
MARKING ON BACK OF BRACKET



FORCE MEASUREMENT TO CLOSE THE GUARD TO BE APPLIED AT THE CENTER OF THE HOLE THRU THE COVER



FORCE MEASUREMENT TO OPEN THE GUARD TO BE TAKEN FROM THIS POINT UNDER THE LIP OF THE PART



SCALE 1:1

TG-00001

REV	OCN #	DATE	APR
A	021525	16 FEB 04	DJR

OTTO CONTROLS
 DIVISION OF
 OTTO ENGINEERING INC.
 CARPENTERSVILLE, ILLINOIS USA

DESCRIPTION

TG, TOGGLE GUARD ASSEMBLY

MANUFACTURING

SPC

UNLESS OTHERWISE SPECIFIED:
 DIMENSIONS ARE IN INCHES.
 TOLERANCES ARE AS LISTED.
 MUST BE FREE FROM BURRS
 AND SHARP EDGES.

TOLERANCES
 .XX ±.03
 .XXX ±.010
 ANGLES ±2°
 DO NOT SCALE DRAWING.
 THIRD ANGLE PROJECTION

THIS DOCUMENT IS THE CONFIDENTIAL
 PROPERTY OF OTTO ENGINEERING, INC..
 IT IS PROVIDED ON A RESTRICTED
 BASIS AND IS NOT TO BE USED IN ANY
 WAY DETRIMENTAL TO THE INTERESTS
 OF OTTO ENGINEERING, INC..

DRWN. DJR	SIZE	FSCM NO	DRAWING NO.	REV.
CHKD. DJR	A	21649	TG-00001	A
APPD. DJR				
DATE	WT.	Scale 1:1	Sheet 1 OF 1	