



ZIPPY TECHNOLOGY CORP.



10F, No.50, MinQuan Road, Xindian District,
New Taipei City, Taiwan, R.O.C

TEL: 886-2-2918-8512 / 886-2-2918-0603
FAX: 886-2-2915-5765 / 886-22916-0215
[Http://www.zippy.com.tw](http://www.zippy.com.tw)

APPROVED DATA SHEET

Model: 1001610340(SW2-06S1-00L0-EA001-Z)

ISSUED DATE: APR.20.2018
APPROVED NO. 1001610340.A
PAGE: 1/4

The undersigned guarantee of the model switches is meets the following specifications.

1.Operation Characteristics

Operating Force (OF) : Max. 203 gf
Releasing Force (RF) : Min. 50 gf
Free Position (FP) : Max. 9.9 mm
Operating Position (OP) : 8.4±0.3 mm
Movement Differential (MD) : Max. 0.2 mm
Over-travel (OT) : Min. 0.4 mm
Pre-travel (PT) : Max. 1.2 mm

2. Specifications

Initial Contact Resistance : Max. 370mΩ.
(Measured by ohm meter –Open Voltage<1VDC, Driver current -100mA)
Before measure the switch contact resistance, please press the switch three times on and off.

Initial Dielectric Strength : 500VAC(50-60HZ)/minute between contacts.
1,500VAC(50-60HZ)/minute between Live-parts and dead metal parts.

Insulation Resistance : Min. 100MΩ (500 VDC/ minute) between Live-parts and dead metal parts.

Circuit Arrangement : SPDT (Single pole double throw)

Rating : 6A 125/250VAC
5A 30VDC (Resistive Load)

Service Life : Min. 10,000 operations.

Rating Load : Resistive (R) Load & Inductive (GP) Load.

Operating Frequency : 10~30 operations per minute.

Safety Certificate : UL, cUL, ENEC

Mechanical Service Life : Press the switch to operation position - Min. 2,000,000 operations.

Operating Frequency : Max. 120 operations per minute.

International Protection Code : IP67



10F, No.50, MinQuan Road, Xindian District,
New Taipei City, Taiwan, R.O.C

TEL: 886-2-2918-8512 / 886-2-2918-0603
FAX: 886-2-2915-5765 / 886-22916-0215
[Http://www.zippy.com.tw](http://www.zippy.com.tw)

APPROVED DATA SHEET

Model: 1001610340(SW2-06S1-00L0-EA001-Z)

ISSUED DATE: APR.20.2018
APPROVED NO. 1001610340.A
PAGE: 2/4

3. Environments

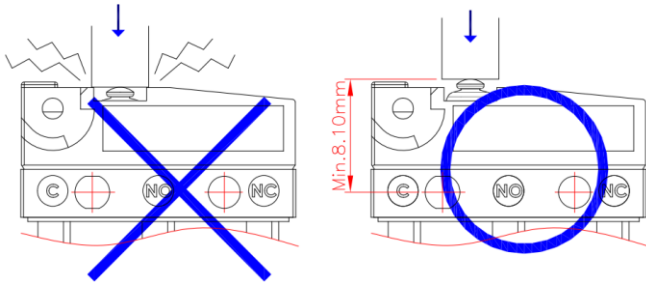
- Operating Temperature : -40°C ~ 85°C (with no icing)
- Vibration Resistance : 10~55Hz, displacement 0.75mm(p-p)
- Shock Resistance : Destruction: 1,000 m/s² {approx. 100G} max.
Malfunction: 300 m/s² {approx. 30G} max.

(For the pin plunger models, the vibration & shock condition apply for use at the free position and total travel position)
(For the lever models, the vibration & shock condition apply for use at the total travel position)

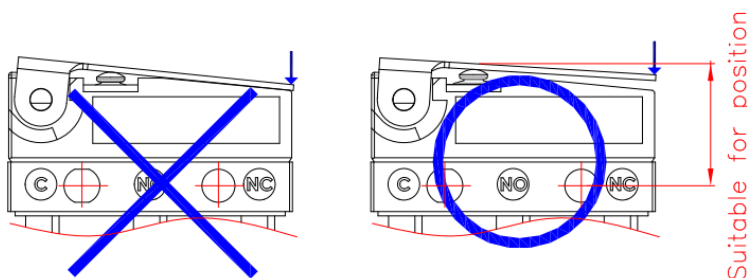
Soldering by hand : 350°C maximum within 5 seconds.

Note 1: Actuator Method: as following drawing position

Example 1 - Button type model



Example 2 - Lever type model



ZIPPY TECHNOLOGY CORP.

簡素玲

PREPARED

陳立業

CHECHED

沈俊榮

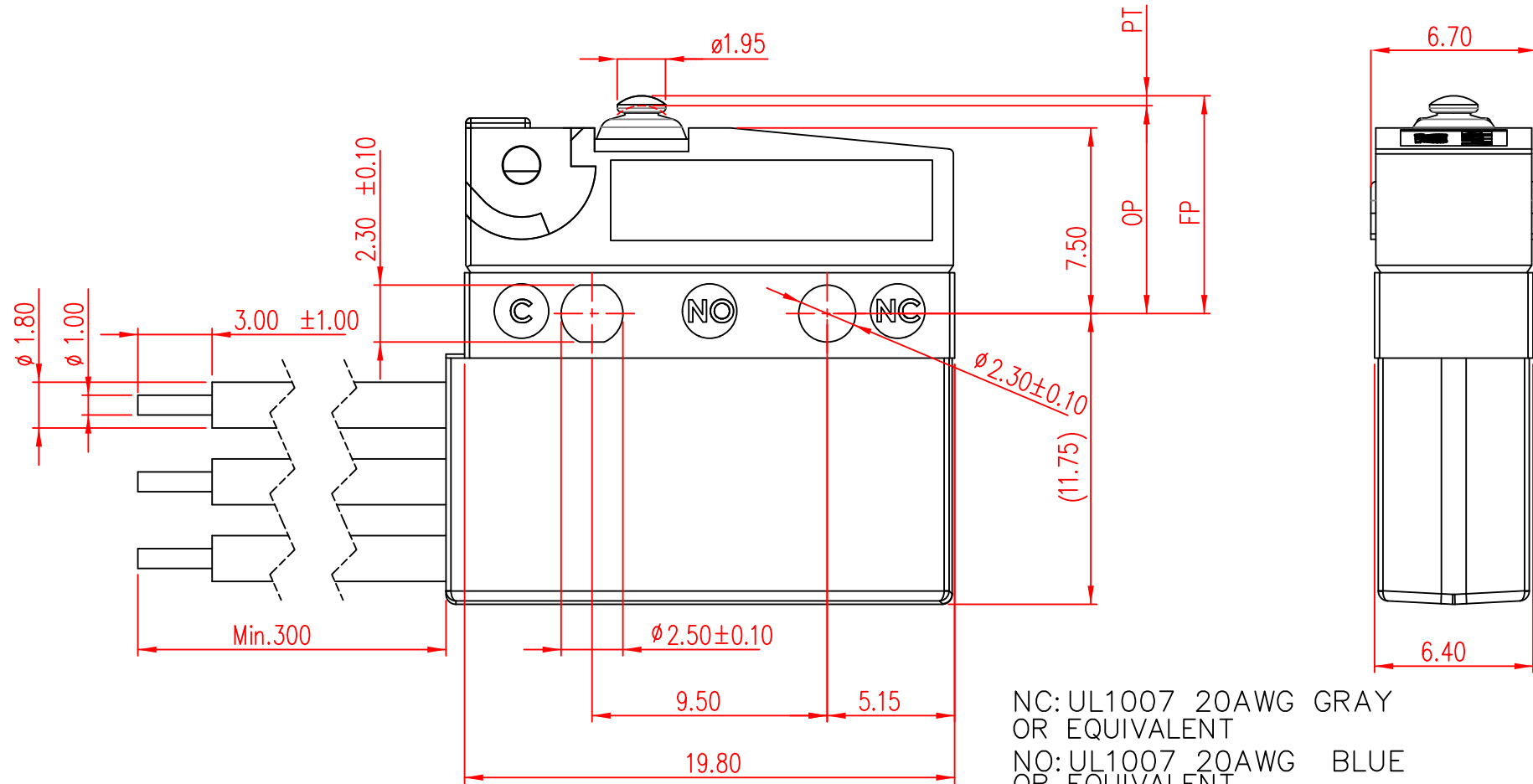
APPROVED

* Above example drawing only show the actuator method define.

*The switch correct forms and dimensions must reference to below deminsion drawing.

NOTE: Wires should not be dragged.

Dimensions drawing

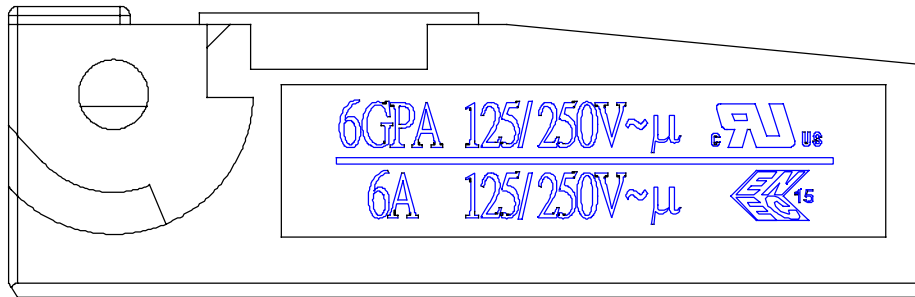
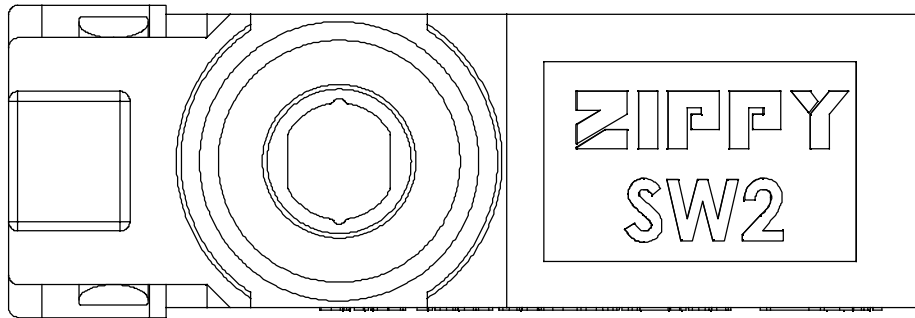


NC: UL1007 20AWG GRAY
OR EQUIVALENT
NO: UL1007 20AWG BLUE
OR EQUIVALENT
COM: UL1007 20AWG BLACK
OR EQUIVALENT

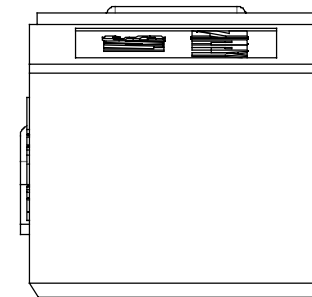
Tolerance	
X.X	± 0.2
XX.X	± 0.4

VIEW		SIZE	A4	UNIT	mm
DATE	JUL-25-2017	VER.	1.0	FILE NAME	SW2-00LO-EA001
APPROVAL	沈俊榮	CONFIRM	張立人	DESIGN	陳立業

Marking drawing



A



B

Marking will be random on side A or side B
 Markings are either by printing or molding
 Appearance according to dimensions drawing.

VIEW		SIZE	A4	UNIT	mm
DATE	JUL-24-2014	VER.	1.1	FILE NAME	SW2-06-u
APPROVAL	沈俊榮	CONFIRM	陳立業	DESIGN	張立人