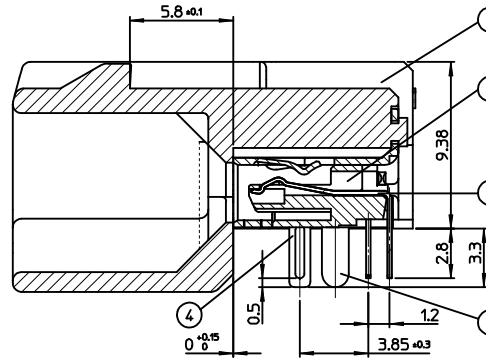
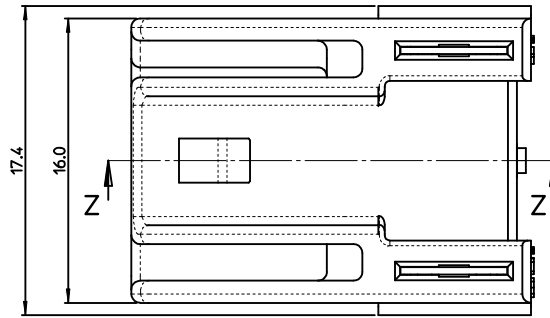
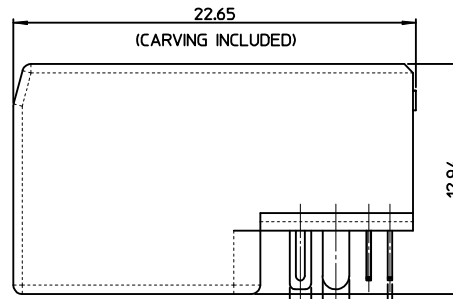
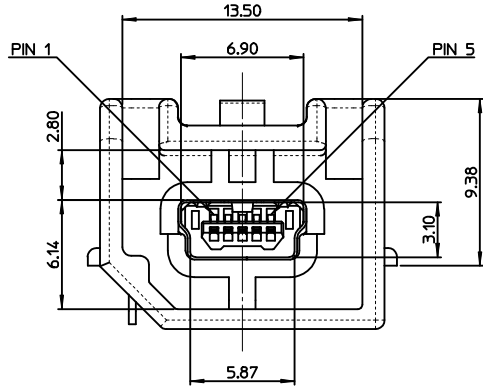


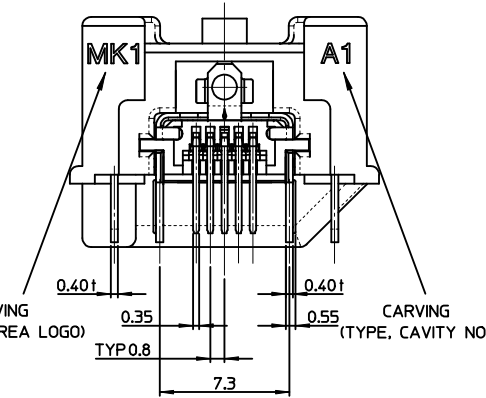
ISOMETRIC VIEW



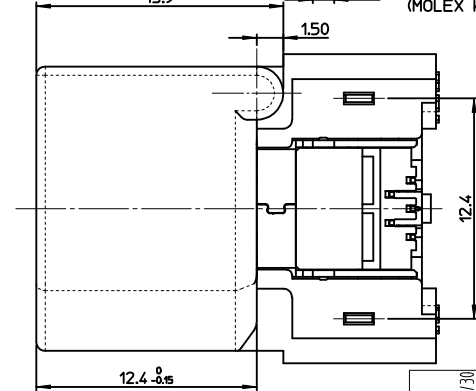
SECTION Z-Z



CARVING (MOLEX KOREA LOGO)



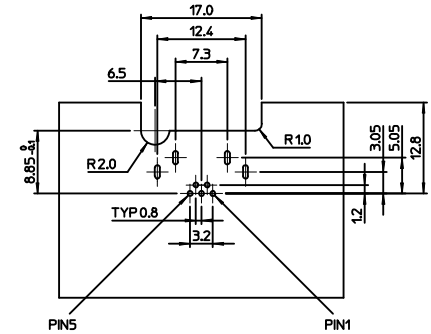
CARVING (TYPE, CAVITY NO.)



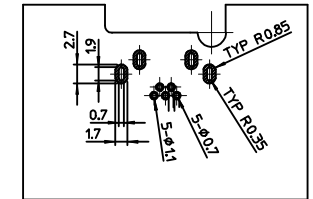
<PART LIST>

| NO. | PART NAME | MATERIALS |
|-----|--------------|-----------------------------|
| ① | SHROUD | LCP, glass-filled, UL94 V-0 |
| ② | REC. HOUSING | LCP, glass-filled, UL94 V-0 |
| ③ | TERMINAL | COPPER ALLOY |
| ④ | SHIELD CASE | PHOSPHOR BRONZE |
| ⑤ | FITTING NAIL | BRASS |

RECOMMENDED PCB LAYOUT
- TYPE 'A'
(TOP VIEW, COMPONENT SIDE)



(BOTTOM VIEW, SOLDER SIDE)



NOTE

- MATES WITH :
(MOLEX SERIES NO. - 111014, 111015, 111005, 111041, 111019, 111020)
- SHROUD GEOMETRY AND ASSEMBLY WITH USB MINI-B CONNECTOR ARE ACCORDING TO USCAR STD 999-U-USB-Z01
- FINISHES
 - TERMINAL :
CONTACT AREA : GOLD 0.75μm MIN.
SOLDER TAIL AREA : TIN 3.8μm MIN.
UNDER PLATING : NI 1.25μm MIN.
 - SHIELD CASE :
3.0μm MIN. TIN OVER NI 1.0μm MIN.
 - FITTING NAIL :
3.0μm MIN. TIN OVER NI 1.0μm MIN.
- UNLESS OTHERWISE SPECIFIED, TYPICAL RECOMMENDED PCB MANUFACTURING TOLERANCE IS ±0.05
- PACKAGING IS TRAY :
(48 PCS/TRAY, 5 TRAY/TRAY BOX, 240 PCS/TRAY BOX, 960 PCS/CARTON BOX)
- PRODUCT SPECIFICATION : PS-49616-001
- PACKAGING INFORMATION : PK-49616-001
- PCB THICKNESS : 1.6mm(REFERENCE)

<TABLE 1>

| MATERIAL NO. | ORDER NO. | COLOR |
|--------------|------------|-------|
| 496160711 | 49616-0711 | BLACK |

REVISED
EC NO: KOR2009-0146
DRAWN: HTSONG 2009/04/30
CHKD: BCYOON 2009/04/30
APPR: YUNIKKIM 2009/05/06
A2

| QUALITY SYMBOLS | GENERAL TOLERANCES (UNLESS SPECIFIED) | | DIMENSION STYLE | | SCALE | DESIGN UNITS | THIRD ANGLE PROJECTION | |
|--|---------------------------------------|------|-----------------|------------|---|--------------|------------------------|--|
| | mm | INCH | MM ONLY | | 5:1 | METRIC | | |
| ▽=0 | 4 PLACES ±--- | ±--- | DRAWN BY | DATE | TITLE | | | |
| ▽=0 | 3 PLACES ±--- | ±--- | HTSONG | 2008/04/25 | HSAUTOLINK R/A | | | |
| | 2 PLACES ±0.15 | ±--- | CHECKED BY | DATE | HEADER TYPE-A | | | |
| | 1 PLACE ±0.25 | ±--- | BCYOON | 2008/04/25 | MOLEX INCORPORATED | | | |
| | ANGULAR ± 3° | | APPROVED BY | DATE | DOCUMENT NO. | | | |
| | | | EJUNG | 2008/04/25 | SD-49616-001 | | | |
| DRAFT WHERE APPLICABLE MUST REMAIN WITHIN DIMENSIONS | | | MATERIAL NO. | | SEE TABLE1 | | SHEET NO. | |
| | | | A2 | | THIS DRAWING CONTAINS INFORMATION THAT IS PROPRIETARY TO MOLEX INCORPORATED AND SHOULD NOT BE USED WITHOUT WRITTEN PERMISSION | | 1 OF 1 | |