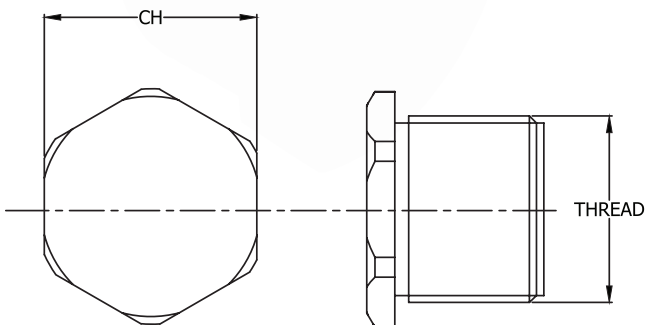


Hex Head Ex e Stopping Plug



Features

- Suitable for use in Zones 1, 2, 21, 22

Approvals



Certification & Standards

Approved to:	EN/IEC 60079-0, 60079-1, 60079-7, 60079-31, EN60529
EC TYPE Examination Certificate:	Baseefa 08ATEX0325X, IECEx BAS 08.0108X Ex db eb I Mb Ex db eb IIC Gb Ex tb IIIC Db IP65-66 UL1203 (Nickel Plated Brass and Stainless Steel only)
Temperature:	-60°C to +80°C

Nickel Plated Brass Part No.	Metric Thread	GID Code	Stainless Steel Part No.	Metric Thread	GID Code	Brass Part No.	Metric Thread	GID Code
EXN/M16/HSP	M16 x 1.5	7TCA297140R0089	EXS/M16/HSP	M16 x 1.5	7TCA297140R0116	EX/M16/HSP	M16 x 1.5	7TCA297140R0035
EXN/M20/HSP	M20 x 1.5	7TCA297140R0093	EXS/M20/HSP	M20 x 1.5	7TCA297140R0117	EX/M20/HSP	M20 x 1.5	7TCA297140R0040
EXN/M25/HSP	M25 x 1.5	7TCA297140R0097	EXS/M25/HSP	M25 x 1.5	7TCA297140R0119	EX/M25/HSP	M25 x 1.5	7TCA297140R0048
EXN/M32/HSP	M32 x 1.5	7TCA297140R0101	EXS/M32/HSP	M32 x 1.5	7TCA297140R0428	EX/M32/HSP	M32 x 1.5	7TCA297140R0056
EXN/M40/HSP	M40 x 1.5	7TCA297140R0104	EXS/M40/HSP	M40 x 1.5	7TCA297140R0429	EX/M40/HSP	M40 x 1.5	7TCA297140R0063
EXN/M50/HSP	M50 x 1.5	7TCA297140R0107	EXS/M50/HSP	M50 x 1.5	7TCA297140R0430	EX/M50/HSP	M50 x 1.5	7TCA297140R0067
EXN/M63/HSP	M63 x 1.5	7TCA297140R0110	EXS/M63/HSP	M63 x 1.5	7TCA297140R0431	EX/M63/HSP	M63 x 1.5	7TCA297140R0071

