

**Datasheet**

# RS PRO Fire Rated Mini Magnetic Lock

Stock No: 192-4532



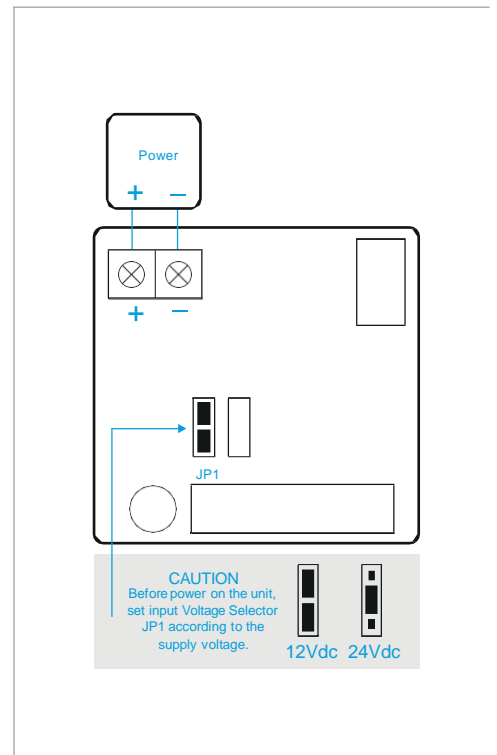
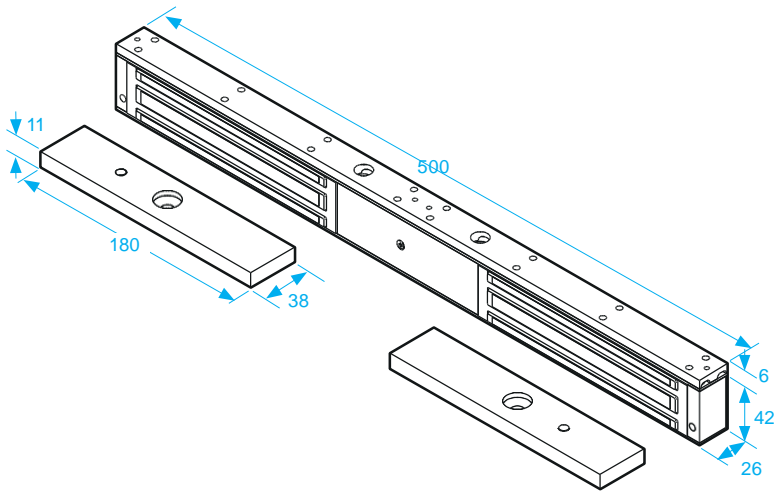
## Technical Specifications:

5000mm x 26mm x 48mm	FD30 + FD60 Rating
Operating voltage 12Vdc /24Vdc Selectable	Fail-safe
2 x 600lbs holding force	
1 Hour UK fire certificate	•Aluminium

## Features & Benefits:

- 1 Hour UK fire certificate
- 2 X 600lbs holding force
- Operating voltage 12Vdc/24Vdc Selectable

## Dimensional line drawings



## Quality Standards:

BS EN1634:1



## General

- Voltage tolerance:  $\pm 10\%$ .
- Current draw: 480mA at 12Vdc, 240mA at 24Vdc (at temperature 20°C).
- Operating temperature: -10~55°C (14 to 131°F).
- Lock's surface temperature: Current temperature  $\pm 20\%$  (when power is on).
- Humidity: 0~95% non-condensing.
- Aluminium housing, nickel plated armature.