



Bell Mounts - Type CCF



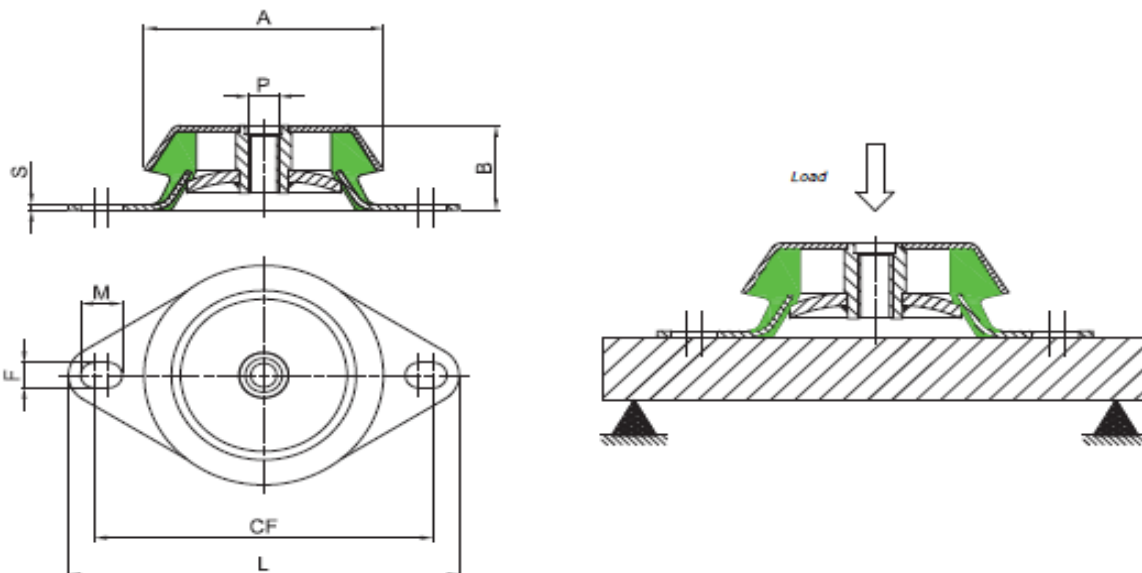
Applications

- Gensets
- Engines
- Toolroom Machinery
- Pumps
- Special Equipment
- HVAC
- Pumps

The CCF range of mounts offer a high level of insulation - especially useful on Generators, Engines etc. with an operating frequency of around 25 Hz (1,500 RPM).

Axial stresses are perfectly absorbed and side deflections are limited to guarantee good stability.

These Bell Mounts are designed with a fail-safe function making it an ideal solution for applications where safety is paramount.



RS Ref:	Fibet Ref:	Hardness (IRHD)	A (mm)	B (mm)	P (mm)	FxM (mm)	CF (mm)	L (mm)	S (mm)	Average Stiffness (daN/mm)	Maximum Load (daN)	Maximum Deflection (mm)
201-2318	CCF603512W	45	60	35	M10	8.3x16	75-90	106	2	45.0	110.0	2.4
201-2319	CCF603512M	60	60	35	M10	8.3x16	75-90	106	2	80.0	190.0	2.4
201-2321	CCF623112W	45	60	31	M12	8.3x16	75-90	106	3	50.0	125.0	2.5
201-2322	CCF623112M	60	60	31	M12	8.3x16	75-90	106	3	85.0	212.0	2.5
201-2323	CCF623112H	70	60	31	M12	8.3x16	75-90	106	3	125.0	312.0	2.5
201-2324	CCF773010W	45	77	30	M10	9	110	128	2	42.0	147.0	3.5
201-2325	CCF773010M	60	77	30	M10	9	110	128	2	80.0	280.0	3.5
201-2326	CCF773010H	70	77	30	M10	9	110	128	2	120.0	420.0	3.5
201-2327	CCF924512W	45	92	45	M12	10.5	110.0	138	3	100.0	300.0	3.0
201-2328	CCF924512M	60	92	45	M12	10.5	110.0	138	3	195.0	585.0	3.0



Bell Mounts - Type CCF



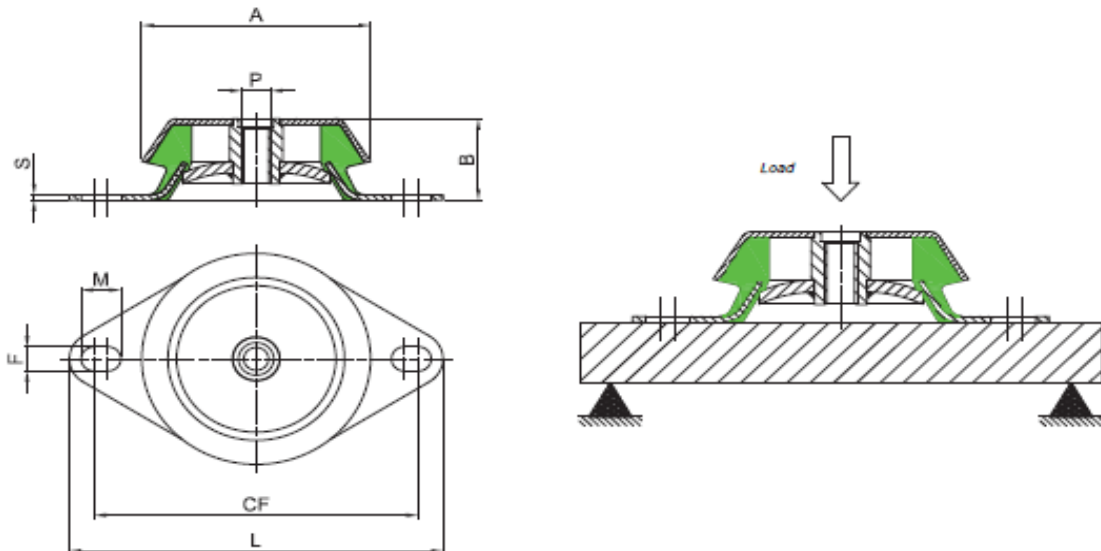
Applications

- Gensets
- Engines
- Toolroom Machinery
- Pumps
- Special Equipment
- HVAC
- Pumps

The CCF range of mounts offer a high level of insulation - especially useful on Generators, Engines etc. with an operating frequency of around 25 Hz (1,500 RPM).

Axial stresses are perfectly absorbed and side deflections are limited to guarantee good stability.

These Bell Mounts are designed with a fail-safe function making it an ideal solution for applications where safety is paramount.



RS Ref:	Fibet Ref:	Hardness (IRHD)	A (mm)	B (mm)	P (mm)	FxM (mm)	CF (mm)	L (mm)	S (mm)	Average Stiffness (daN/mm)	Maximum Load (daN)	Maximum Deflection (mm)
201-2306	CCF1063812W	45	106	38	M12	14X18	138-146	172	3	120.0	420.0	3.5
201-2307	CCF1063812M	60	106	38	M12	14X18	138-146	172	3	220.0	660.0	3.5
201-2309	CCF1063812H	70	106	38	M12	14X18	138-146	172	3	320.0	960.0	3.5
201-2310	CCF1063816W	45	106	38	M16	14X18	138-146	172	3	120.0	420.0	3.5
201-2311	CCF1063816M	60	106	38	M16	14X18	138-146	172	3	220.0	660.0	3.5
201-2312	CCF1064212M	60	106	42	M12	14X18	138-146	172	3	55.0	275.0	5.0
201-2313	CCF1064216W	45	106	42	M16	14X18	138-146	172	3	28.0	140.0	5.0
201-2314	CCF1085016/5W	45	108	50	M16	16.5	160	190	5	120.0	400.0	3.3
201-2315	CCF1085016/5M	60	108	50	M16	16.5	160	190	5	220.0	660.0	3.3
201-2316	CCF1214216M	60	121	42	M16	13.5	158.0	188	3	190.0	760.0	4.0
201-2317	CCF1444816M	60	144	48	M16	14x18	179-186	216	4	200.0	1340.0	6.7