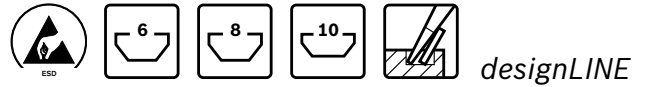


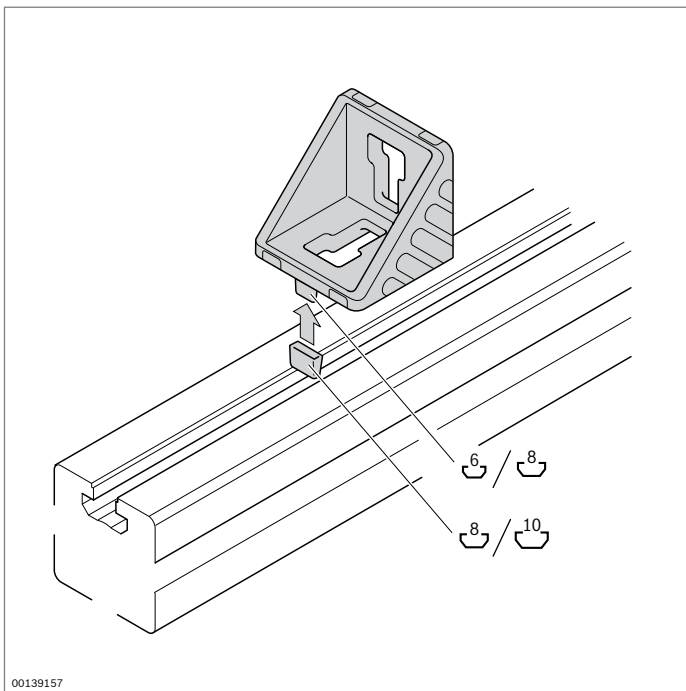
## Bracket

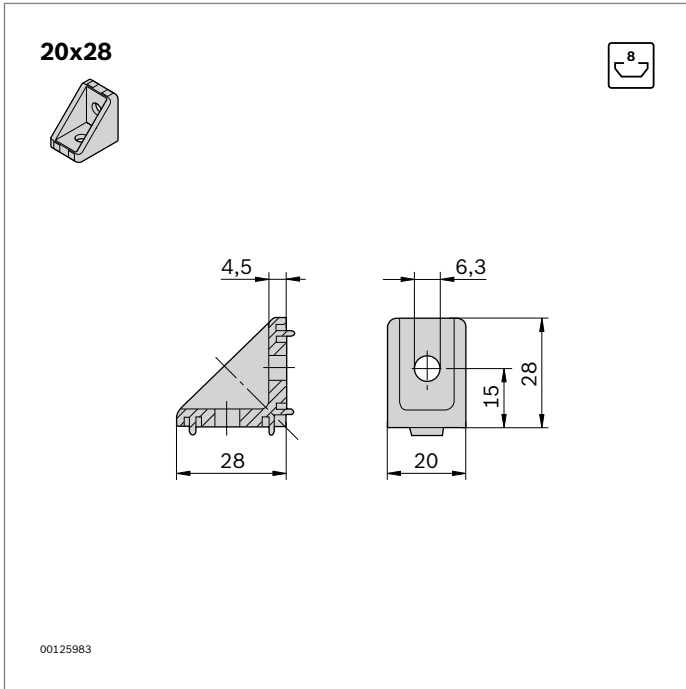


- ▶ Brackets with centering lugs for rapid, precise assembly with protection against turning
- ▶ Centering lugs can be easily broken off for assembly on plates or at right angles to the slot
- ▶ *designLINE* version with special silver paint (RAL 9006) for an attractive, high-quality design
- ▶ Intermediate element for positioning brackets in the next largest slot
- ▶ Offset sliding block for off-center positioning of the 45/45 bracket
- ▶ Cover cap to protect from dirt, available in signal gray (RAL 7004) and black ESD (RAL 9005)
- ▶ Profile finishing: not required

Technical data (p. 19-9)

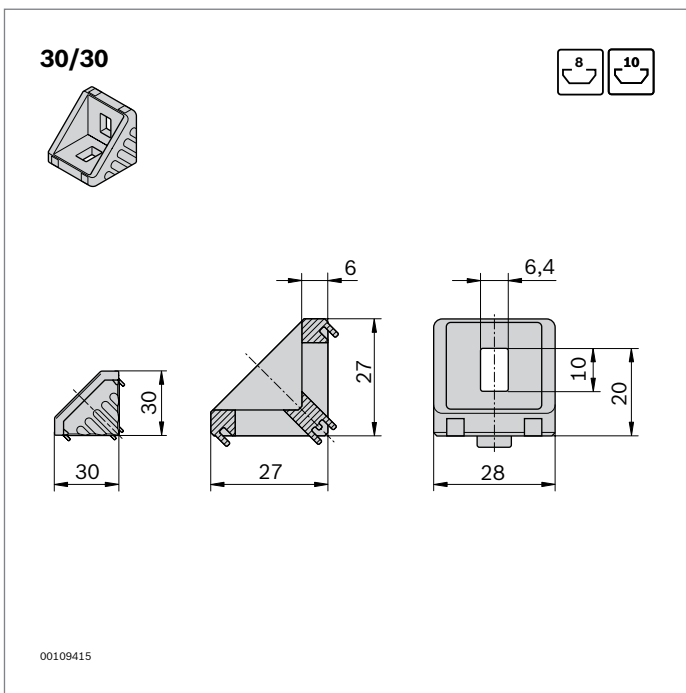
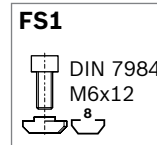
**Note:** The collar screws enable the brackets to be assembled really quickly and easily (p. 3-5)





| 20x28              | Slot  | ESD | No.                      | FS    |
|--------------------|-------|-----|--------------------------|-------|
| Set (standard)     | 8 / 8 |     | 1 <b>3 842 502 137</b>   | 2xFS1 |
| Bracket (standard) | 8     |     | 100 <b>3 842 501 587</b> |       |

Material: diecast zinc  
 Fastening material: steel; galvanized  
 Scope of delivery: set incl. fastening material (FS)



| 30/30                  | Slot    | ESD | No.                      | FS                  |
|------------------------|---------|-----|--------------------------|---------------------|
| Set (standard)         | 8 / 8   |     | 1 <b>3 842 523 528</b>   | 2xFS2               |
|                        | 8 / 10  |     | 1 <b>3 842 523 530</b>   | 1xFS2, 2xFS3, 1xFS4 |
|                        | 10 / 10 |     | 1 <b>3 842 523 532</b>   | 4xFS3, 2xFS4        |
| designLINE set         | 8 / 8   |     | 1 <b>3 842 551 598</b>   | 2xFS2               |
|                        | 8 / 10  |     | 1 <b>3 842 551 600</b>   | 1xFS2, 2xFS3, 1xFS4 |
|                        | 10 / 10 |     | 1 <b>3 842 551 599</b>   | 4xFS3, 2xFS4        |
| Bracket (standard)     | 8       |     | 100 <b>3 842 523 525</b> |                     |
| Cover cap, signal gray |         |     | 100 <b>3 842 548 846</b> |                     |
| Cover cap, black       |         |     | 20 <b>3 842 548 847</b>  |                     |
| Adapter for 10 mm slot | 8 / 10  |     | 100 <b>3 842 523 537</b> |                     |

Material: Bracket: Diecast aluminum, vibratory ground  
 designLINEbracket: painted (RAL 9006)  
 Adapter: PA; black  
 Cover cap: PP  
 Fastening material: steel; galvanized

Scope of delivery: set incl. fastening material (FS)

| Type  |        |       |       |   |
|-------|--------|-------|-------|---|
| 30/30 | 1250 N | 25 Nm | 75 Nm | — |

