

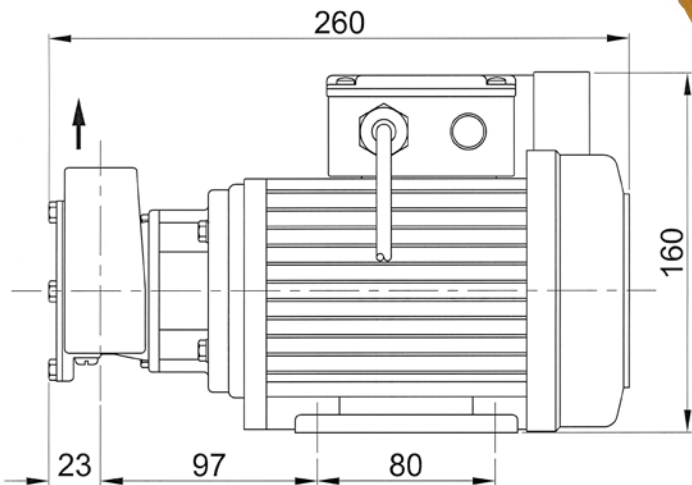


UTILITY PUMPS

a xylem brand



20-size UTILITY PUMP with 3/4" ports and AC electric motor



PUMP MODELS

- 53021-2013-230** 230 volt 1 phase 50Hz
Continuously rated motor
- 53020-2013** 230 volt 1 phase 50Hz
40 minute rated motor
- 53021-2013-110** 110v 1 phase 50Hz
Continuously rated motor
- 53021-2013-400** 400v 3 phase 50Hz
Continuously rated motor

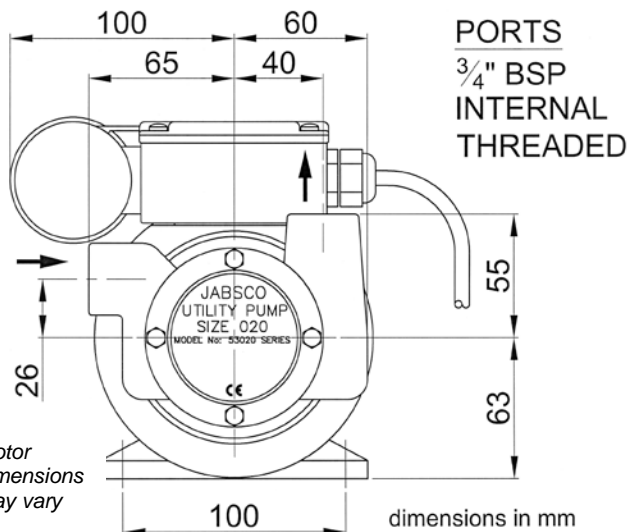
- ◆ Nitrile oil-resistant impeller fitted as standard.
- ◆ Neoprene impeller version available.

SPECIFICATION

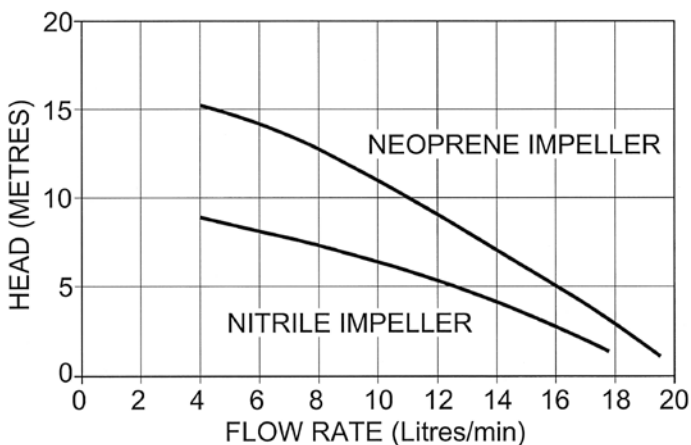
Pump body: bronze
Weight: 7.1kg
Shaft: AISI316 stainless steel
Shaft seal: mechanical (carbon-ceramic)
Impeller: see pump models above
Max. recommended liquid viscosity: 100cp. Check with your pump supplier if in doubt.

Motor: 0.18kw, 1400rpm, totally enclosed, fan ventilated, IP55 enclosure. Single-phase motors fitted with manual reset thermal overload cut-out.

- ◆ Rapid self-priming up to 2 metres vertical lift.
- ◆ Handles hard and soft solids up to 3mm dia.
- ◆ Can pump up to 90% entrained air.
- ◆ Up to 10 minutes dry running protection.
- ◆ Quick and simple to maintain
- ◆ Light, compact, portable and tough



PUMP PERFORMANCE



WARNING
 Explosive hazard. Do not pump gasoline, solvents, thinners or other flammable liquids. To do so can cause an explosion resulting in injury or death

Performance figures are based on manufacturer's tests with water and are not guaranteed for any particular application
 Product descriptions and specifications are subject to alteration without notice