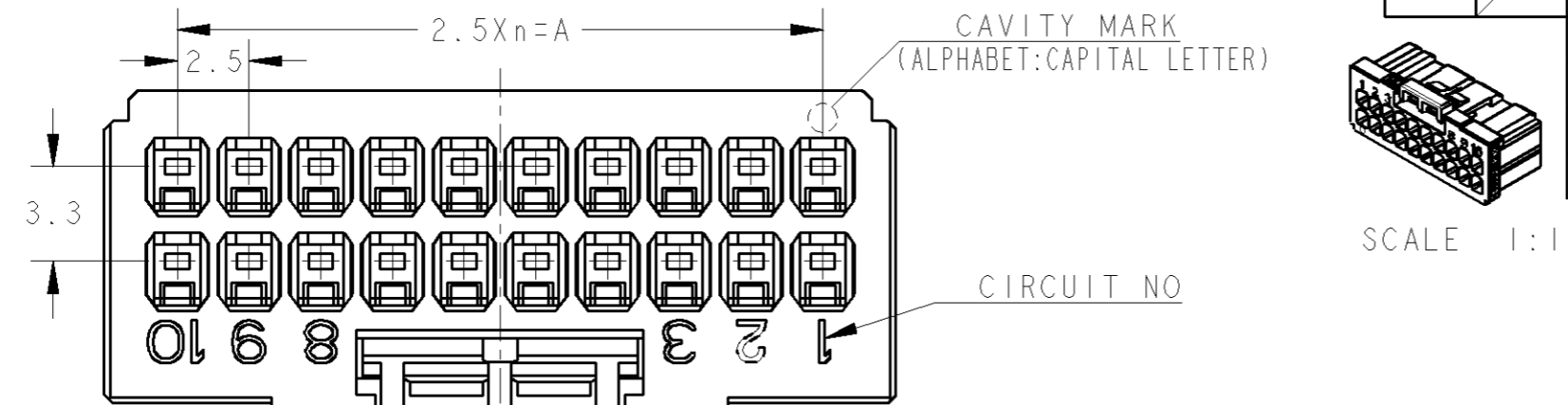


THIS DRAWING IS UNPUBLISHED. RELEASED FOR PUBLICATION 2005  
 © COPYRIGHT 2005 BY TYCO ELECTRONICS CORPORATION. ALL INTERNATIONAL RIGHTS RESERVED.

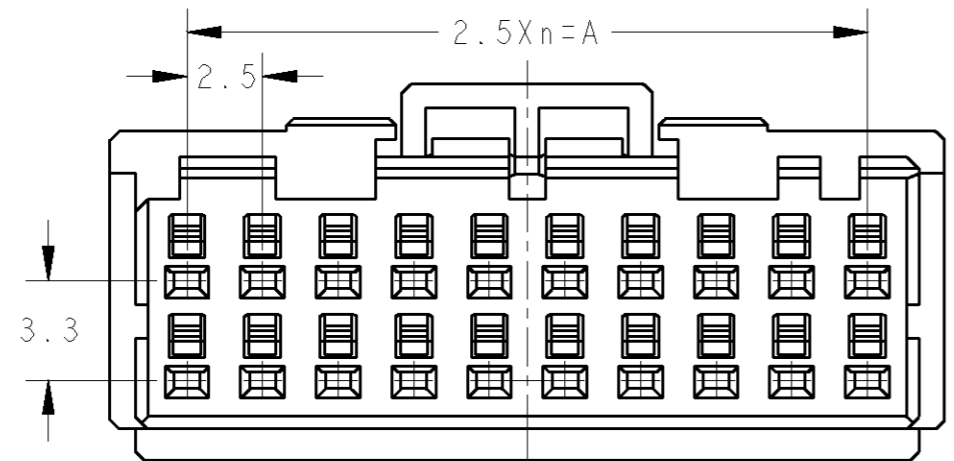
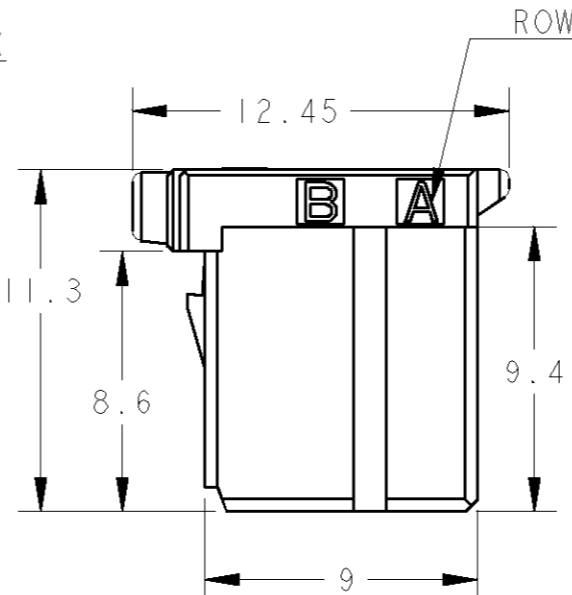
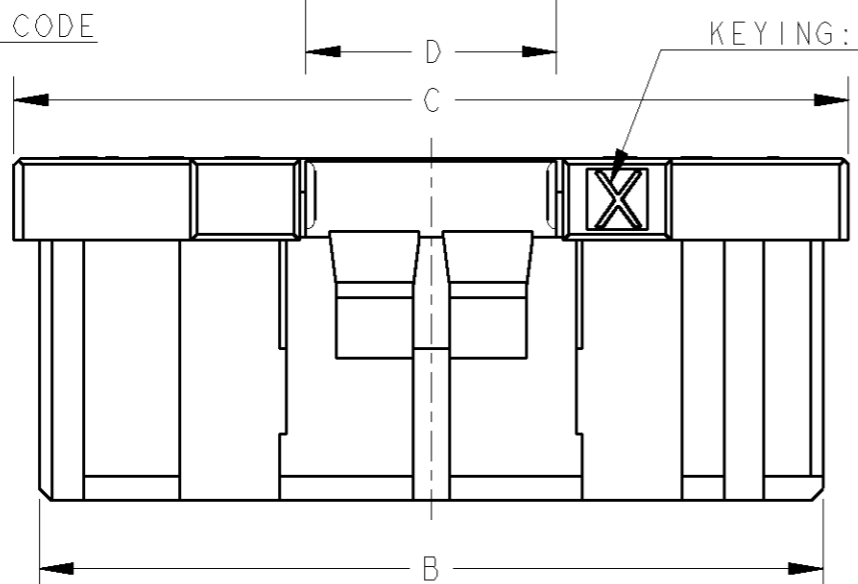
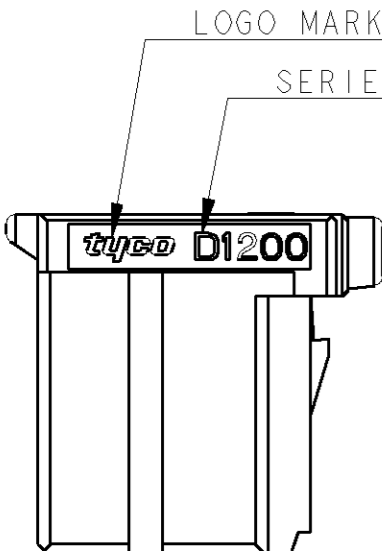
LOC	DIST	REVISIONS					
J		P	LTR	DESCRIPTION	DATE	DWN	APVD
			C	REVISED ECR-10-016030	02AUG2010	T.T	T.M



SCALE 1:1

- 1. MATERIAL: GLASS FILED THERMO PLASTIC POLYESTER(94V-0), COLOR: BLACK
- 2. THE SHAPE, SIZE AND POSITION OF THE CHARACTER SHOW THE OUTLINE. THEY DON'T SHOW DETAILS.
- 3. THE KEYING ARRANGEMENT OF "Y" IS SYMMETRIC WITH "X".

- 1. 材料: ガラス入り熱可塑性ポリエステル樹脂(94V-0), 色: 黒
- 2. 文字の形状、大きさ、および位置については、大略を示すものであり、詳細を示すものではありません。
- 3. Y KEY形状は、X KEY形状と左右対称



20	Y	9	22.5	25.9	27.6	8.3	2-1827864-0
20	X	9	22.5	25.9	27.6	8.3	1-1827864-0
16	Y	7	17.5	20.9	22.6	8.3	2-1827864-8
16	X	7	17.5	20.9	22.6	8.3	1-1827864-8
12	Y	5	12.5	15.9	17.6	8.3	2-1827864-6
12	X	5	12.5	15.9	17.6	8.3	1-1827864-6
10	Y	4	10.0	13.4	15.1	3.3	2-1827864-5
10	X	4	10.0	13.4	15.1	3.3	1-1827864-5
8	Y	3	7.5	10.9	12.6	3.3	2-1827864-4
8	X	3	7.5	10.9	12.6	3.3	1-1827864-4
6	Y	2	5.0	8.4	10.1	3.3	2-1827864-3
6	X	2	5.0	8.4	10.1	3.3	1-1827864-3
4	Y	1	2.5	5.9	7.6	3.1	2-1827864-2
4	X	1	2.5	5.9	7.6	3.1	1-1827864-2
POS	KEY	n	A	B	C	D	PART NO

20POS(X-KEY): 1-1827864-0

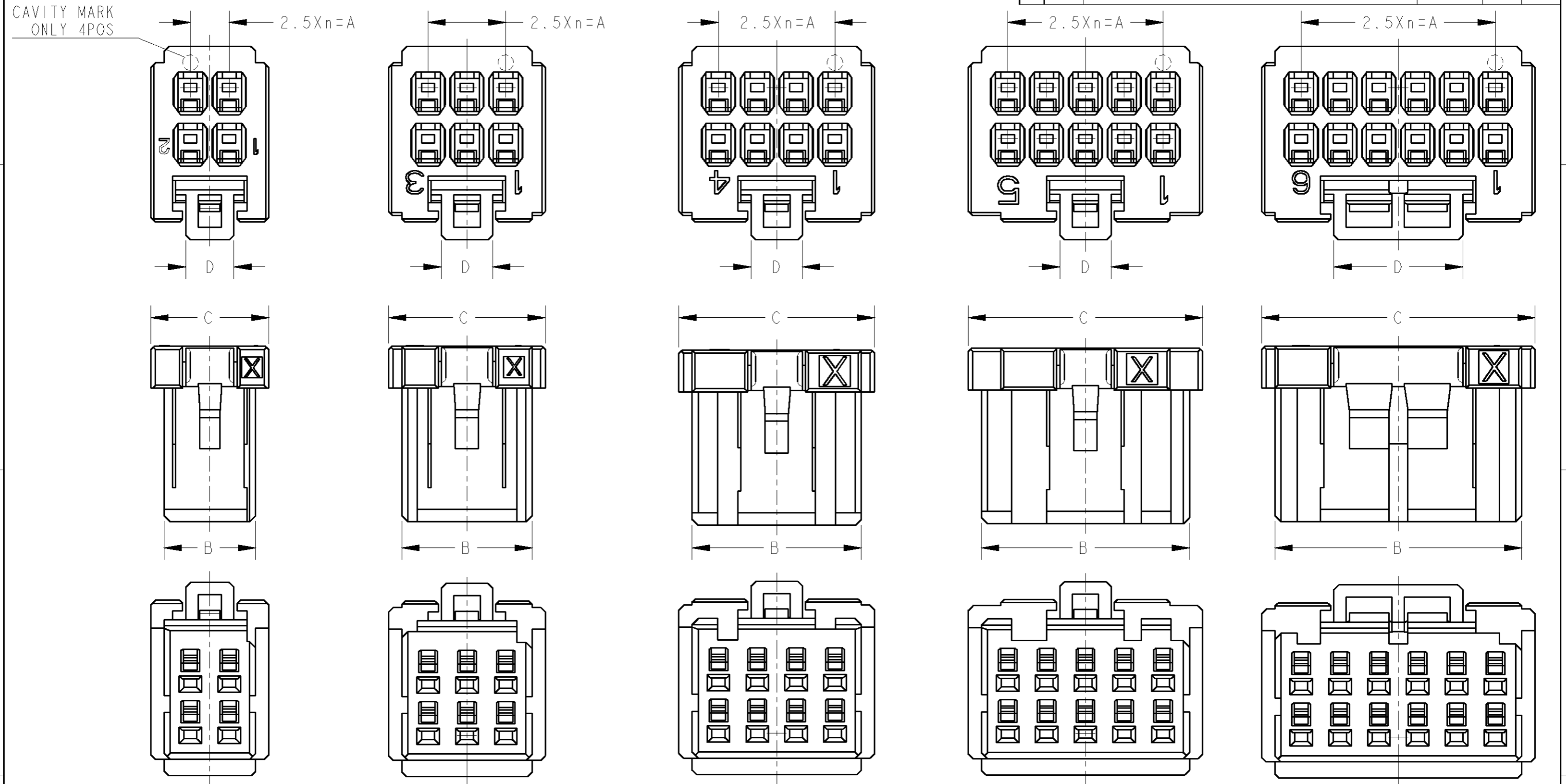
THIS DRAWING IS A CONTROLLED DOCUMENT FOR TYCO ELECTRONICS CORPORATION. IT IS SUBJECT TO CHANGE AND THE CONTROLLING ENGINEERING ORGANIZATION SHOULD BE CONTACTED FOR THE LATEST REVISION.

DIMENSIONS: 単位: 概 mm	TOLERANCES UNLESS OTHERWISE SPECIFIED: 一般公差 ±0.3, ±5°
	0-PLC ±
	1-PLC ±
	2-PLC ±
	3-PLC ±
	4-PLC ±
	ANGLES ±
MATERIAL 材料	FINISH 仕上

DWN T. KUDO 23AUG2005	Tyco Electronics Corporation Kawasaki, Japan	
CHK D. MITSUGI 23AUG2005	NAME 名称 DYNAMIC D1200D 2.5mm PITCH REC HSG 4-20 POS	
APVD D. MITSUGI 23AUG2005	PRODUCT SPEC 製品規格 108-78268, 78298	DRAWING NO 番号 114-5377
APPLICATION SPEC 取付適用規格	WEIGHT	RESTRICTED TO
CUSTOMER DRAWING	SCALE 尺度 A3 00779 C=1827864	SHEET 1 OF 3 REV C

THIS DRAWING IS UNPUBLISHED. RELEASED FOR PUBLICATION 2005  
 © COPYRIGHT 2005 BY TYCO ELECTRONICS CORPORATION. ALL INTERNATIONAL RIGHTS RESERVED.

LOC	DIST	REVISIONS		
J		P	LTR	DESCRIPTION
				DATE
				DWN
				APVD
SEE SHEET 1 OF 3				



4POS(X-KEY): 1-1827864-2

6POS(X-KEY): 1-1827864-3

8POS(X-KEY): 1-1827864-4

10POS(X-KEY): 1-1827864-5

12POS(X-KEY): 1-1827864-6

THIS DRAWING IS A CONTROLLED DOCUMENT FOR TYCO ELECTRONICS CORPORATION IT IS SUBJECT TO CHANGE AND THE CONTROLLING ENGINEERING ORGANIZATION SHOULD BE CONTACTED FOR THE LATEST REVISION.		DWN T. KUDO 23AUG2005 CHK D. MITSUGI 23AUG2005 APVD D. MITSUGI 23AUG2005		Tyco Electronics Corporation Kawasaki, Japan	
DIMENSIONS: 単位: 概 mm		TOLERANCES UNLESS OTHERWISE SPECIFIED: 一般公差 0 PLC ± 1 PLC ± 2 PLC ± 3 PLC ± 4 PLC ± ANGLES ±		NAME 名称 DYNAMIC DI200D 2.5mm PITCH REC HSG 4-20 POS	
		PRODUCT SPEC 製品規格 108-78268, 78298		SIZE CAGE CODE DRAWING NO 番号 A300779 C=1827864	
MATERIAL 材料		FINISH 仕上		WEIGHT CUSTOMER DRAWING	
SCALE 尺度 4:1				SHEET 2 OF 3 REV C	

THIS DRAWING IS UNPUBLISHED.

RELEASED FOR PUBLICATION

2005

© COPYRIGHT 2005

BY TYCO ELECTRONICS CORPORATION. ALL INTERNATIONAL RIGHTS RESERVED.

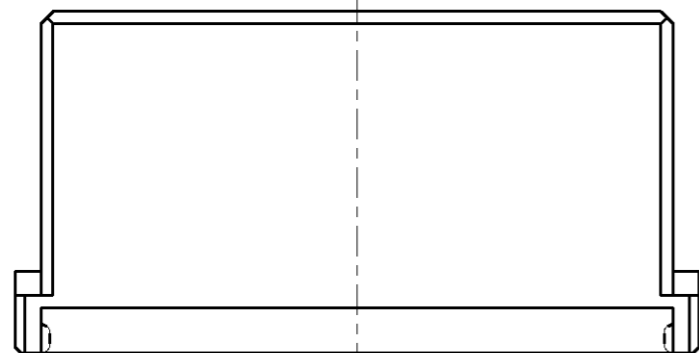
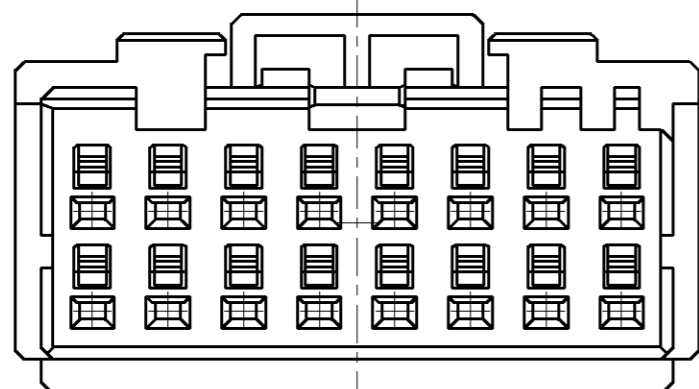
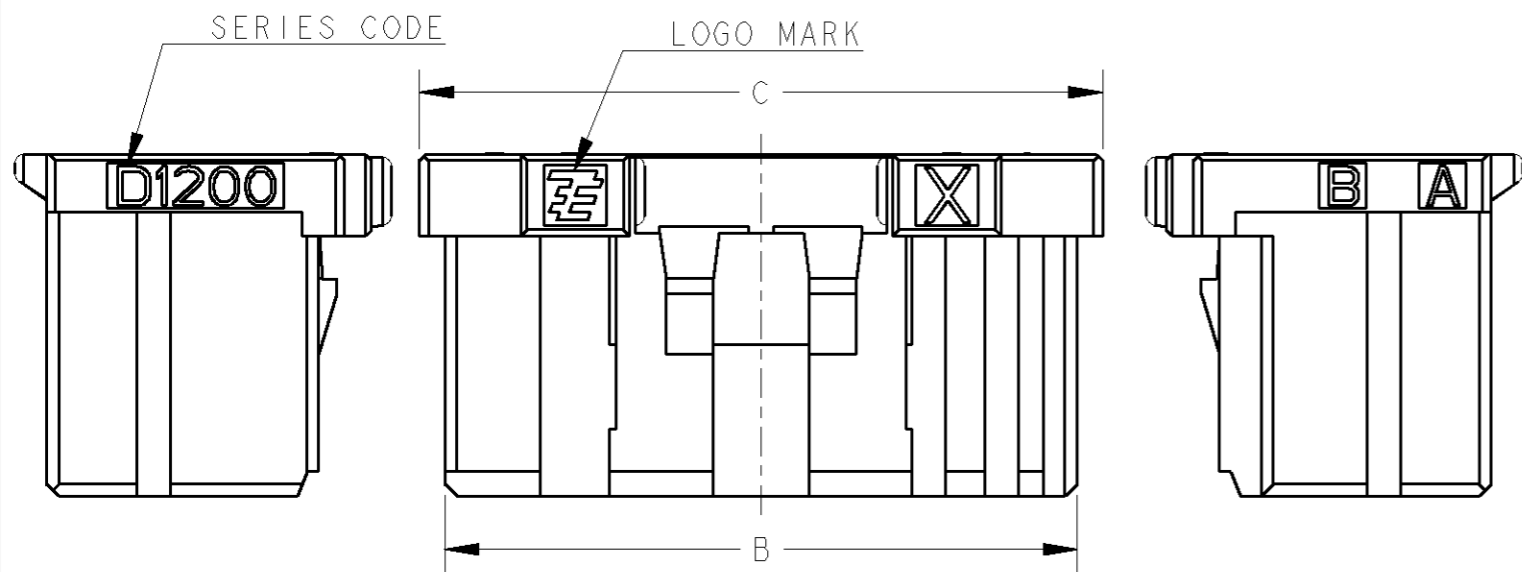
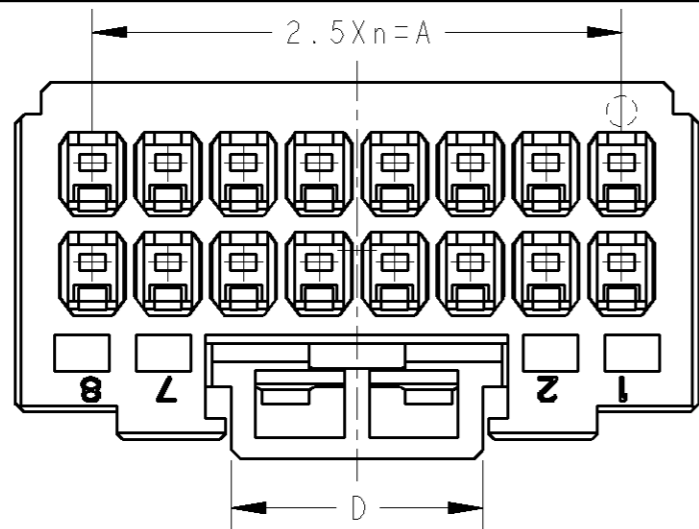
LOC  
J

DIST

REVISIONS

変更

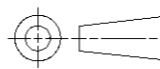
P	LTR	DESCRIPTION	DATE	DWN	APVD
-	-	SEE SHEET 1	-	-	-



16POS(X-KEY): 1-1827864-8

THIS DRAWING IS A CONTROLLED DOCUMENT FOR TYCO ELECTRONICS CORPORATION. IT IS SUBJECT TO CHANGE AND THE CONTROLLING ENGINEERING ORGANIZATION SHOULD BE CONTACTED FOR THE LATEST REVISION.

DIMENSIONS:  
単位: 概  
mm



TOLERANCES UNLESS OTHERWISE SPECIFIED:

- 一般公差
- 0 PLC ±
- 1 PLC ±
- 2 PLC ±
- 3 PLC ±
- 4 PLC ±
- ANGLES ±

MATERIAL  
材料

FINISH  
仕上

DWN T. KUDO 23AUG2005

CHK D. MITSUGI 23AUG2005

APVD D. MITSUGI 23AUG2005

PRODUCT SPEC

製品規格 108-78268, 78298

APPLICATION SPEC

取付適用規格 114-5377

WEIGHT

CUSTOMER DRAWING



Tyco Electronics Corporation  
Kawasaki, Japan

NAME  
名称 DYNAMIC D1200D 2.5mm PITCH  
REC HSG  
4-20 POS

SIZE CAGE CODE DRAWING NO. RESTRICTED TO

A300779 C=1827864

SCALE 1:1 SHEET 3 OF 3 REV C