

## Mod. G7575 - Fittings Series 7000 - Automation

Product code: G7575 4

Datasheet creation date: 11/12/2025 11:03

Check the most updated document online [click here](#)

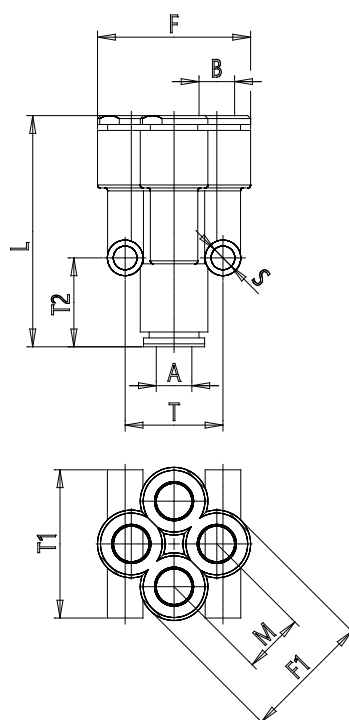


### TECHNICAL DATA

Mod.	G7575 4
------	---------

## Mod. G7575 - Fittings Series 7000 - Automation

Product code: G7575 4



### DIMENSIONS

<b>A (mm)</b>	4
<b>B (mm)</b>	4
<b>F (mm)</b>	22.0
<b>F1 (mm)</b>	18
<b>L (mm)</b>	34.0
<b>M (mm)</b>	9.3
<b>S (mm)</b>	4
<b>T (mm)</b>	14.5
<b>T1 (mm)</b>	22.0
<b>T2 (mm)</b>	13.5
<b>Weight (g)</b>	12.5