



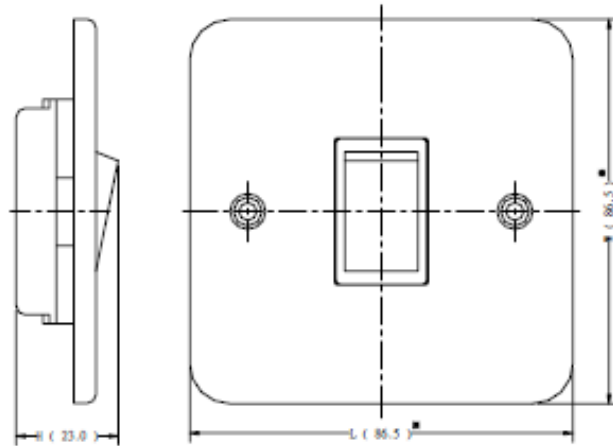
ENGLISH

Datasheet

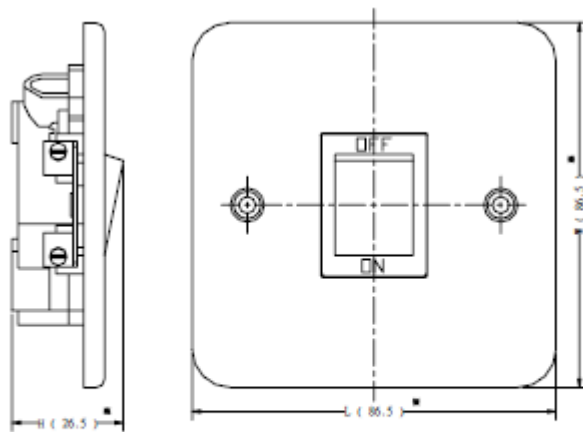
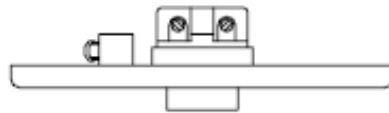
RS 13A 1 Gang Switched Surface Mount Fused Connection Unit

Stock Number: 668-3676, 6683673

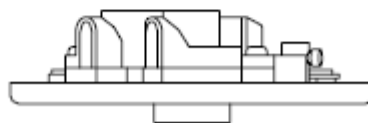


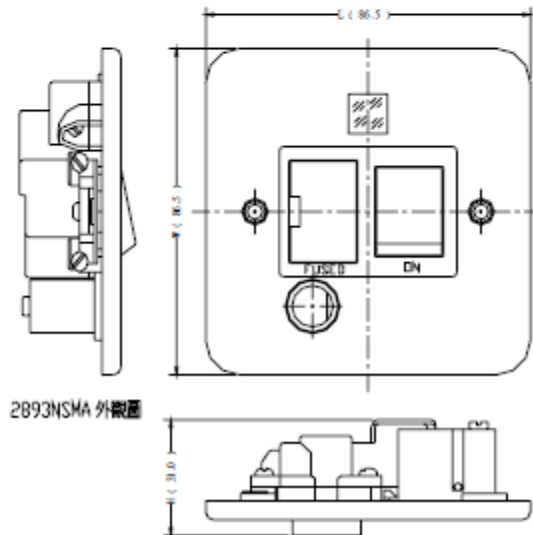
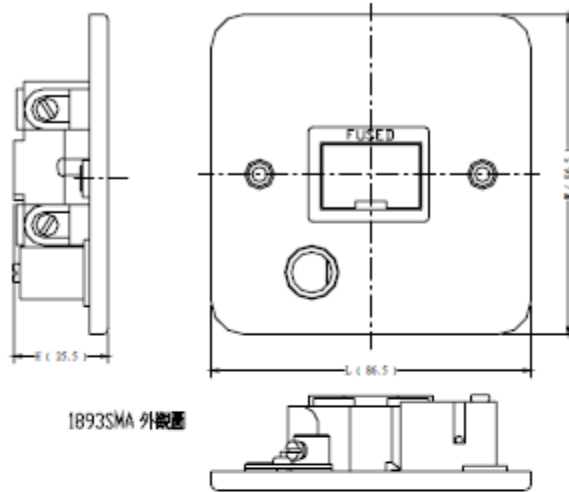


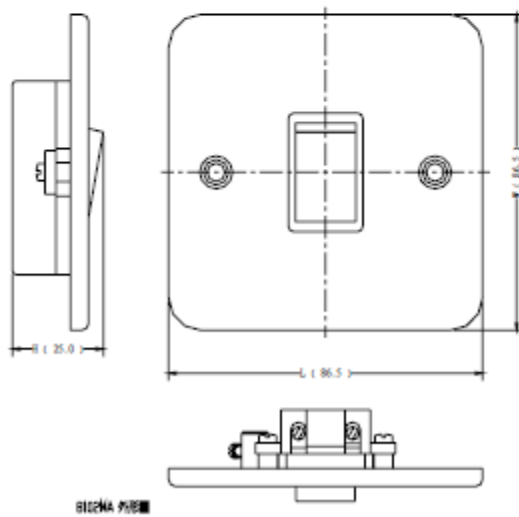
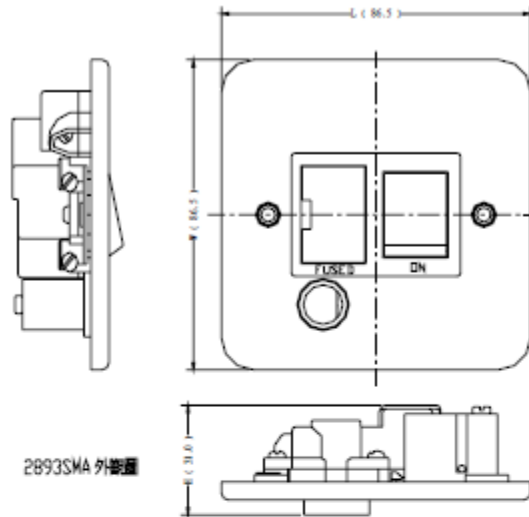
8181MA 外觀圖

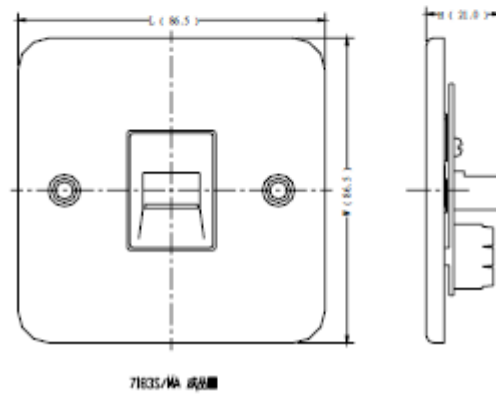
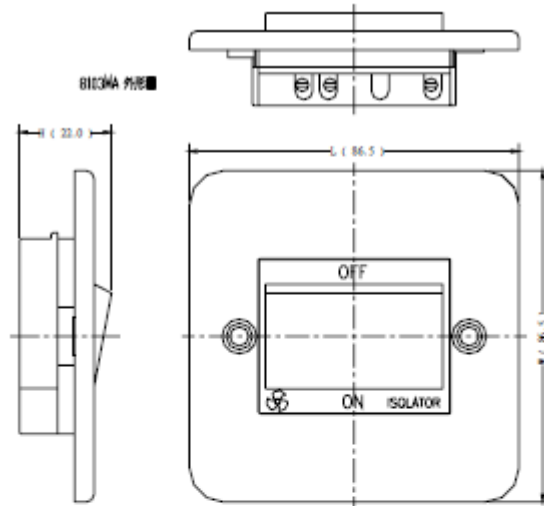


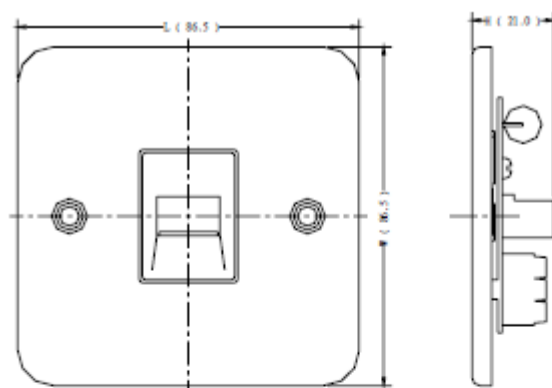
8184MA 成品外觀圖











7183M/MA 18/22

Part No.	L	W	H
8184/MA	86.5	86.5	26.5
1893S/MA	86.5	86.5	25.5
8181/2W/MA	86.5	86.5	23.0
2893S/MA	86.5	86.5	31.0
2893NS/MA	86.5	86.5	31.0
7183M/MA	86.5	86.5	21.0
7183S/MA	86.5	86.5	21.0
8102/MA	86.5	86.5	25.0
8103/MA	86.5	86.5	22.0