


ENGINEERING CHANGE NOTIFICATION

MTK PWR 4.2 - 10134170 Receptacle
Crimp Terminal

07-02-2024

 **Amphenol**
Commercial Products
GROUP

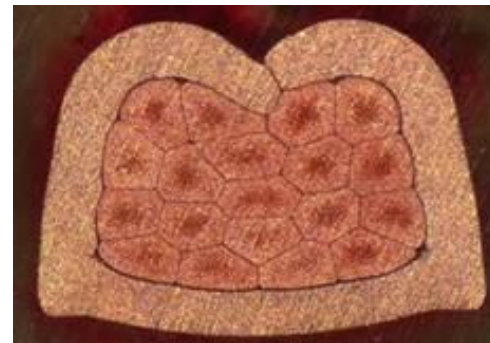
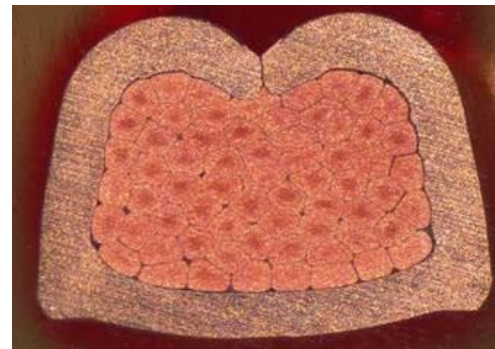
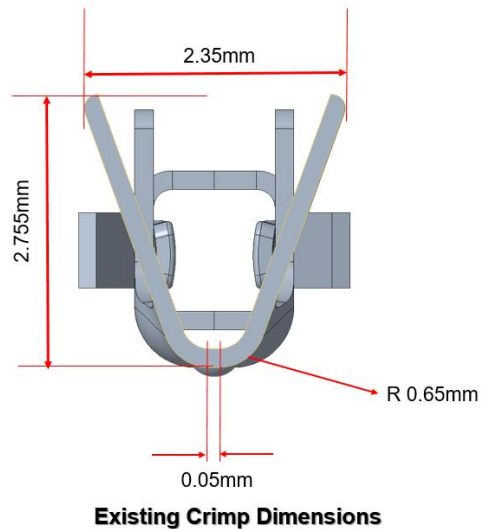
//ACPI

ENGINEERING CHANGE NOTIFICATION

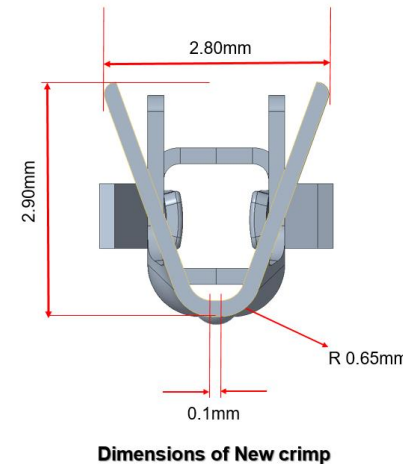
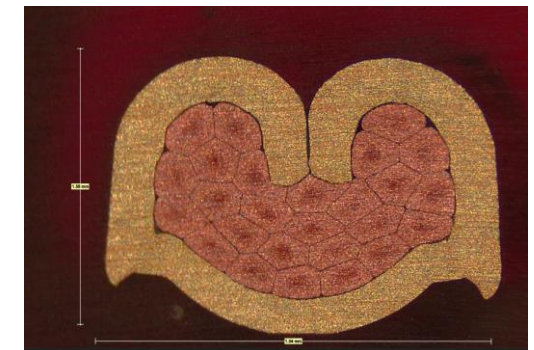
Product: MTK PWR 4.2 Rec Crimp terminal (16AWG) - 10134170-XX10LF

- Site CCB No./Global PCN No. -
- Implementation Date: 15th APR 2024

BEFORE



AFTER



REASON FOR CHANGE

Product improvement to be aligned with the requirement specified in IEC60352-2 Edition 3.0 standard.

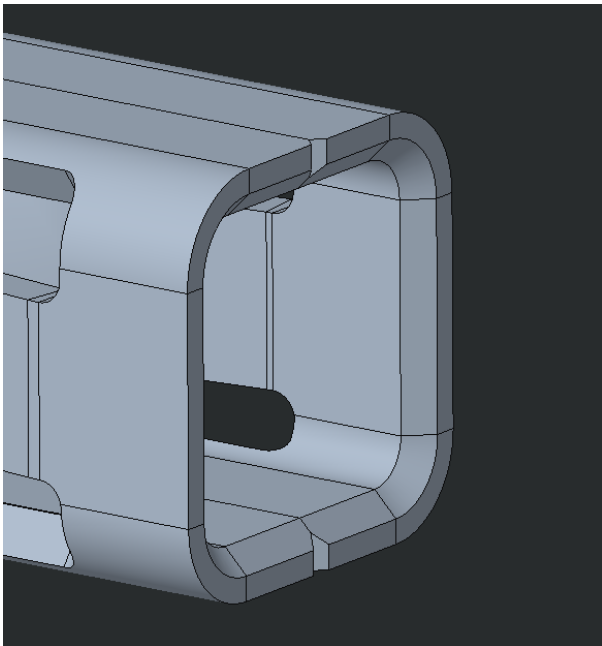
NOTE:
No impact on Application Tooling

ENGINEERING CHANGE NOTIFICATION

Product: MTK PWR 4.2 Rec Crimp terminal (10134170 All variants)

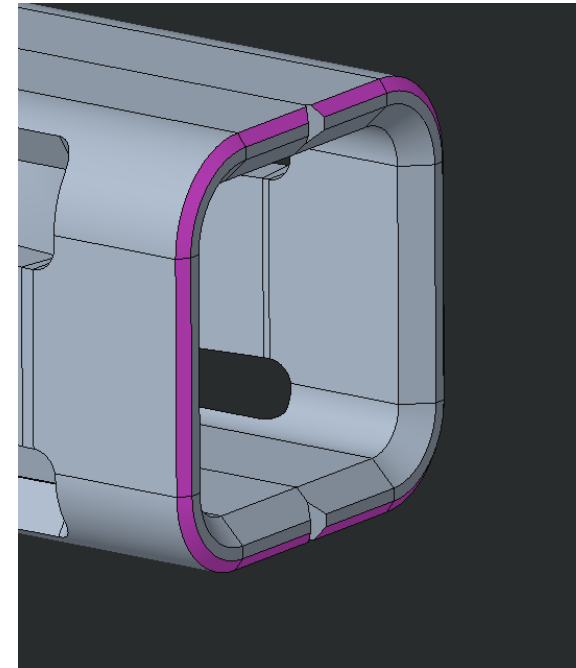
- Site CCB No./Global PCN No.
- Implementation Date: 15th APR 2024

BEFORE



- ✓ Only Chamfer on inside edge provided.

AFTER



- ✓ Along with inside chamfer, minor chamfer on outside edge provided.

REASON FOR CHANGE

To prevent the plastic material shaving during terminals insertion into housing

THANK YOU...!!

