



SEPARATE ACTUATOR,  
 UNIVERSAL RADIUS ACTUATOR 'HEAVY DUTY'  
 VERSION VERTICALLY AND HORIZONTALLY  
 ADJUSTABLE,  
 L= 67 MM FOR POSITION SWITCHES WITH TUMBLER  
 3SE5312../3SE5322.. AND ASI 3SF13... AND POSITION  
 SWITCHES WITH SEPARATE ACTUATOR 3SE51../  
 3SE52.. AND ASI - WITH SEPARATE ACTUATOR  
 3SF11../3SF12..

General technical details:		
<b>product designation</b>		actuator
<b>Mechanical operating cycles as operating time</b>		
<ul style="list-style-type: none"> <li>• typical</li> </ul>		1,000,000
<b>Resistance against vibration</b>		0.35 mm / 5g
<b>Resistance against shock</b>		30g / 11 ms
<b>Ambient temperature</b>		
<ul style="list-style-type: none"> <li>• during operating</li> </ul>	°C	-25 ... +85
<ul style="list-style-type: none"> <li>• during storage</li> </ul>	°C	-40 ... +90
<b>Design of the operating mechanism</b>		universal actuator
<b>Built in orientation</b>		any
<b>Item designation</b>		
<ul style="list-style-type: none"> <li>• according to DIN 40719 extendable after IEC 204-2 / according to IEC 750</li> </ul>		E
<ul style="list-style-type: none"> <li>• according to DIN EN 61346-2</li> </ul>		T

**Certificates/approvals:**

General Product Approval

Functional Safety /  
Safety of  
Machinery

Test Certificates



CQC



CSA

[ROSTEST](#)



VDE

[TÜV](#)

[Manufacturer](#)

other

[Manufacturer](#)

Further information:

Information- and Downloadcenter (Catalogs, Brochures,...)

<http://www.siemens.com/industrial-controls/catalogs>

Industry Mall (Online ordering system)

<http://www.siemens.com/industrial-controls/mall>

CAX-Online-Generator

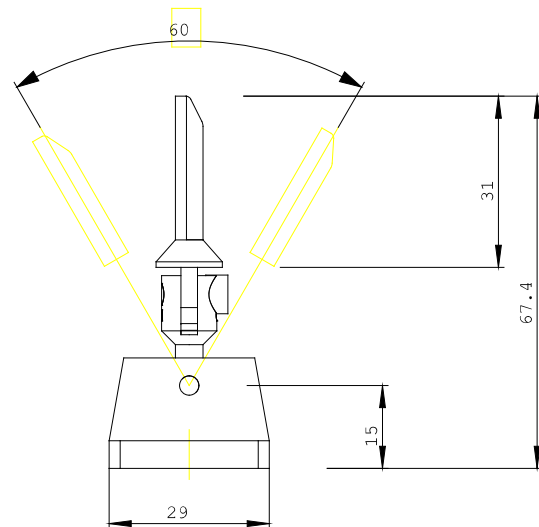
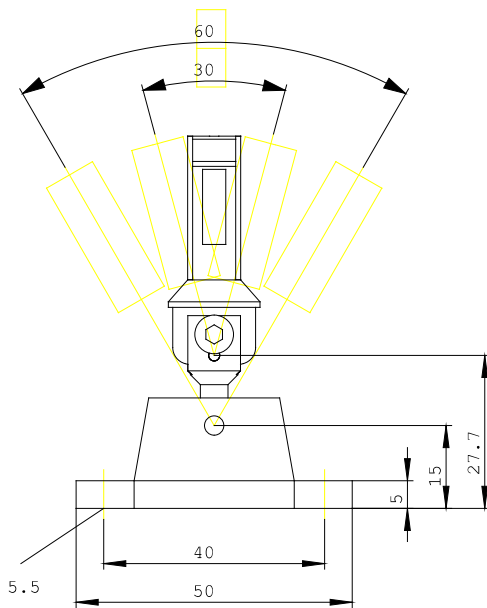
<http://www.siemens.com/cax>

Service&Support (Manuals, Certificates, Characteristics, FAQs,...)

<http://support.automation.siemens.com/WW/view/en/3SE5000-0AV07-1AK2/all>

Image database (product images, 2D dimension drawings, 3D models, device circuit diagrams, ...)

[http://www.automation.siemens.com/bilddb/cax\\_en.aspx?mlfb=3SE5000-0AV07-1AK2](http://www.automation.siemens.com/bilddb/cax_en.aspx?mlfb=3SE5000-0AV07-1AK2)



last change:

Mar 12, 2012