

Model LK

Digital Force Indicator



Model LK shown with optional handle. Visit our Web site for more information on optional handles.

DESCRIPTION

The Model LK Digital Force Indicator is a highly portable force measurement device. With its 9 V battery supply and compact size the indicator can easily be carried to remote locations to perform force measurement calibrations. The unit can measure forces in tension and compression over ranges up to 10000 lb. The peak capture feature allows the highest force reading taken to be displayed with the push of a button.

The remote location of the load sensor minimizes the chance of damage to the electronic body of the gauge. The stainless steel construction of the sensor and the indicator also make them resistant to the occasional mishandling than can occur in the field. Optional handles are available for the load cell and gauge.

FEATURES

- Ranges to 10000 lb
- Tension and compression measurement
- High and low force capture
- Zero offset/tare
- NIST traceable
- Optional carrying case and panel mounting ring
- Optional NEMA 4 rating
- Field selectable engineering units (lb, N, kN, g, kg)
- Customer recalibration

Each unit has a membrane face with raised buttons and tactile feedback for setup and operation. The high, low, and clear buttons are easily accessible on this front membrane. Zero adjustment and zero offset/tare functions are standard on each unit. Calibration and setup parameters are stored on a memory chip to protect from loss even when power is interrupted. Unauthorized set ups and calibrations are also blocked with internal security. Various combinations of the front panel buttons can be de-activated.

Model LK

PERFORMANCE SPECIFICATIONS

Characteristic	Measure
Range	See additional specifications table
Accuracy	0.2 % ¹
Update speed	3 per second (selectable to 10/second)

ENVIRONMENTAL SPECIFICATIONS

Characteristic	Measure
Temperature, operating	-1 °C to 71 °C [30 °F to 160 °F]
Rating	NEMA 2, std. (NEMA 4 optional except model LKT)

ELECTRICAL SPECIFICATIONS

Characteristic	Measure
Display	LCD, 4 1/2-digit, 1,3 cm [0.5 in] high
Power supply, Model LKW	1 or 2 9-volt batteries (included)
Power supply, Model LKT	110 volt ac adaptor @ 60 Hz (included)
Power supply, Model LKV	11 Vdc to 32 Vdc @ 100 mA
Electrical connection	0,9 m [3 ft] cable (std.) for model LKV
Low battery indication	Standard on model LKW
Calibration data	Stored on memory chip
Zero and span adjustment	Standard

MECHANICAL SPECIFICATIONS

Characteristic	Measure
Case material	Stainless steel

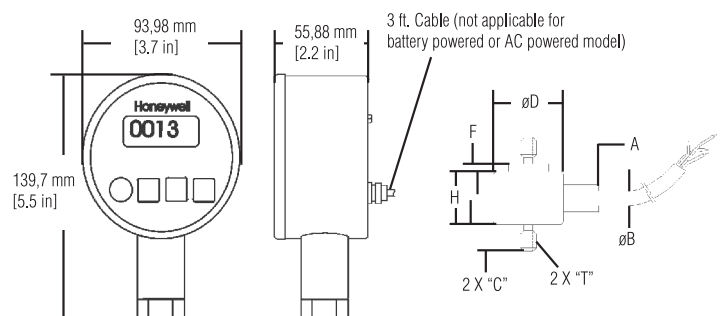
ADDITIONAL SPECIFICATIONS

Range (lb)	0 to 1	0 to 5	0 to 25	0 to 50	0 to 100	0 to 250	0 to 500
Incremental display steps	0.001	0.005	0.02	0.01	0.02	0.05	0.1

Range (lb)	0 to 1000	0 to 2000	0 to 3000	0 to 4000	0 to 5000	0 to 7500	0 to 10000
Incremental display steps	0.2	0.5	2	2	1	2	2

MOUNTING DIMENSIONS AND CHARACTERISTICS

Range (lb)	T	D	H	C	F	A	B
1 lb	#6-32 UNC	25,4 mm [1.00 in]	19,5 mm [0.75 in]	6,4 mm [0.25 in]	2,8 mm [0.11 in]	12,5 mm [0.50 in]	9,7 mm [0.38 in]
5 to 10 lb	#6-32 UNC	25,4 mm [1.00 in]	11 mm [0.45 in]	6,4 mm [0.25 in]	1,3 mm [0.05 in]	7,9 mm [0.31 in]	4,8 mm [0.19 in]
25 to 100 lb	#10-32 UNF	25,4 mm [1.00 in]	13 mm [0.52 in]	6,4 mm [0.25 in]	0,8 mm [0.03 in]	12,5 mm [0.50 in]	6,4 mm [0.25 in]
250 to 1000 lb	1/4"-28 UNF	25,4 mm [1.00 in]	13 mm [0.52 in]	9,7 mm [0.38 in]	0,8 mm [0.03 in]	12,5 mm [0.50 in]	6,4 mm [0.25 in]
2000 to 3000 lb	3/8"-24 UNF	25,4 mm [1.00 in]	18 mm [0.72 in]	12,5 mm [0.50 in]	0,8 mm [0.03 in]	12,5 mm [0.50 in]	9,7 mm [0.38 in]
4000 to 5000 lb	1/2"-20 UNF	32,0 mm [1.25 in]	24 mm [0.94 in]	16 mm [0.63 in]	0,8 mm [0.03 in]	12,5 mm [0.50 in]	9,7 mm [0.38 in]
7500 to 10000 lb	3/4"-16 UNF	35 mm [1.38 in]	28 mm [1.10 in]	22 mm [0.88 in]	0,8 mm [0.03 in]	12,5 mm [0.50 in]	9,7 mm [0.38 in]



NOTES

1. Accuracies stated are for best fit straight line for all errors including linearity, hysteresis and repeatability through zero.
2. Consult factory for optional units of measure.
3. Consult factory for optional electrical connectors and cable lengths.

Warranty. Honeywell warrants goods of its manufacture as being free of defective materials and faulty workmanship. Honeywell's standard product warranty applies unless agreed to otherwise by Honeywell in writing; please refer to your order acknowledgement or consult your local sales office for specific warranty details. If warranted goods are returned to Honeywell during the period of coverage, Honeywell will repair or replace, at its option, without charge those items it finds defective. **The foregoing is buyer's sole remedy and is in lieu of all warranties, expressed or implied, including those of merchantability and fitness for a particular purpose. In no event shall Honeywell be liable for consequential, special, or indirect damages.**

While we provide application assistance personally, through our literature and the Honeywell web site, it is up to the customer to determine the suitability of the product in the application.

Specifications may change without notice. The information we supply is believed to be accurate and reliable as of this printing. However, we assume no responsibility for its use.

For more information about Sensing and Control products, visit www.honeywell.com/sensing or call +1-815-235-6847

Email inquiries to info.sc@honeywell.com

WARNING **PERSONAL INJURY**

- DO NOT USE these products as safety or emergency stop devices or in any other application where failure of the product could result in personal injury.

Failure to comply with these instructions could result in death or serious injury.

WARNING **MISUSE OF DOCUMENTATION**

- The information presented in this catalogue is for reference only. DO NOT USE this document as product installation information.
- Complete installation, operation and maintenance information is provided in the instructions supplied with each product.

Failure to comply with these instructions could result in death or serious injury.