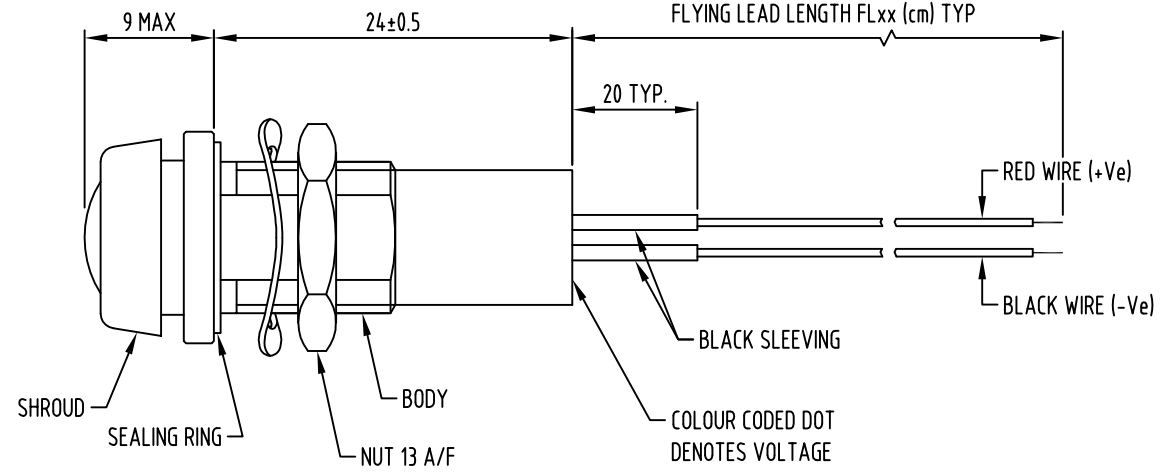
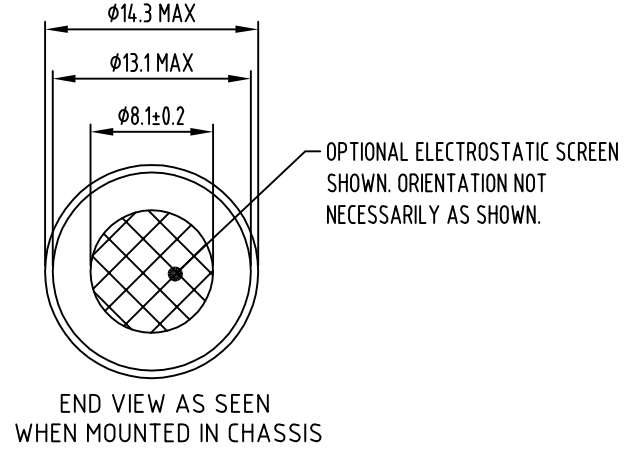
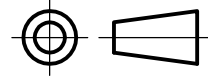


THIS DRAWING AND THE COPYRIGHT AND DESIGN RIGHT THEREIN ARE THE PROPERTY OF OXLEY DEVELOPMENTS CO. Ltd. AND MUST NOT BE REPRODUCED OR DISCLOSED TO A THIRD PARTY WITHOUT PRIOR WRITTEN CONSENT OF THE COMPANY.

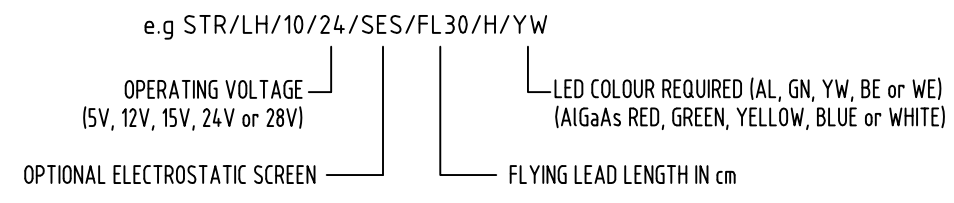
MODIFICATIONS				
ZONE	ISS.	DESCRIPTION	DATE	DRN. / CHK. / APP.
	1	RELEASE FROM DEV DCR No. 3894	28 JAN 2014	MM/JN / KD



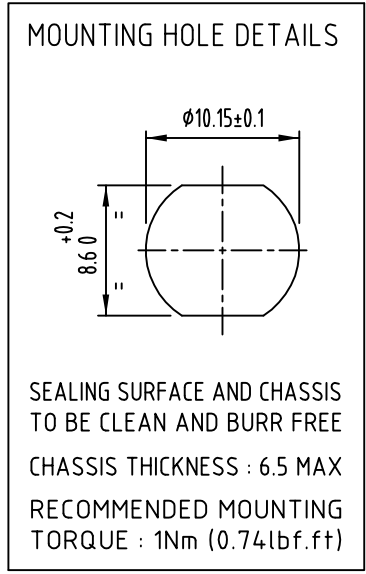
LED ELECTRICAL / OPTICAL CHARACTERISTICS						
PARAMETER	UNITS	AlGaAs RED	YELLOW	GREEN	BLUE	WHITE
LUMINOUS INTENSITY TYP @ OPERATING VOLTAGE	mcd	400	4500	5000	3500	5000
FORWARD CURRENT (TYP) @ OPERATING VOLTAGE	mA	15	15	5	15	5
OPERATING VOLTAGE	V	5, 12, 15, 24 or 28				
REVERSE VOLTAGE	V	OPERATING VOLTAGE				
OPERATING TEMPERATURE	°C	-40 to +85				
STORAGE TEMPERATURE	°C	-55 to +100				

LAMP CAN INCORPORATE OPTIONAL SPECIAL ELECTROSTATIC SCREENING MESH BETWEEN LED AND GLASS LENS TO PROVIDE EMI PROTECTION

ORDERING INFORMATION :
WHEN ORDERING, PLEASE STATE TYPE NUMBER, SPECIFYING VOLTAGE, LEAD LENGTH & LED COLOUR REQUIRED



NOTE : FOR AlGaAs RED REMOVE /H FROM TYPE NUMBER



COLOUR CODED SLEEVING	OPERATING VOLTAGE
BLUE	5Vdc
YELLOW	12Vdc
GREEN	15Vdc
BROWN	24Vdc
VIOLET	28Vdc

DESCRIPTION	MATERIAL
TERMINATIONS	FLYING LEADS, RAYCHEM 44, 24 AWG
SHROUD	ALUMINIUM ALLOY, BLACK NICKEL
BODY	ALUMINIUM ALLOY
NUT	ALUMINIUM ALLOY
LENS	GLASS
SEALING RING	FLUROCARBON RUBBER
WASHER	Be.Cu.- TIN LEAD PLATED

UNLESS OTHERWISE SPECIFIED DIMENSIONS ARE IN MILLIMETRES LINEAR ± REF. ONLY ANGLES ± 0°30' REMOVE BURRS AND SHARP EDGES ALL DIMENSIONS BEFORE PLATING	DRAWN	MARTIN McFALL	OXLEY DEVELOPMENTS COMPANY LTD. t. 44 (0)1229 582621 Priority Park, Ulverston, Cumbria, LA12 9QG. ENGLAND. www.oxleygroup.com	
	CHECKED	JOHN NORRIS	TITLE HIGH BRIGHTNESS VOLTAGE LED INDICATOR LAMP WITH FLYING LEADS & OPTIONAL ELECTROSTATIC SCREEN	
MATERIAL AS STATED	APPROVED	K. DENISON	DCR No.	3894
	DATE	09 NOVEMBER 2013		SIZE A3
FINISH AS STATED	TYPE No.	STR/LH/10/-/-/FLxx/H/-		DO NOT SCALE
	SCALE	2 : 1		DRAWING No. CP44088
		WEIGHT	-	ISS. 1
		SHEET	1 OF 1	